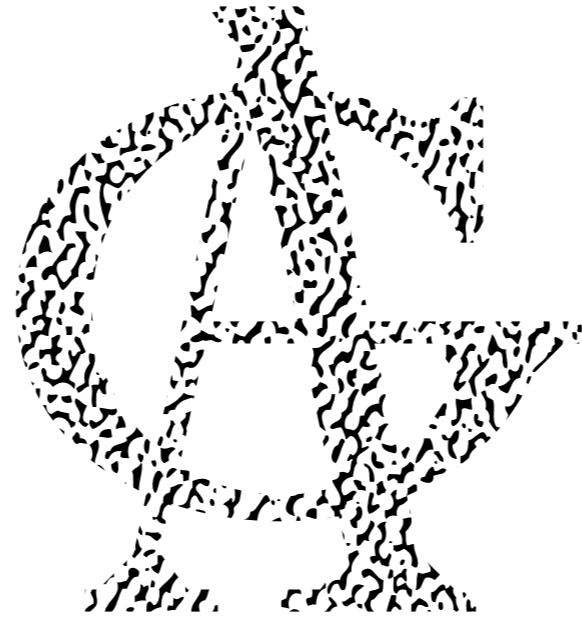


Project:
Vanden by D'vine
Shed



Drawing No:
VDN_001



Project:
Vanden by D'vine
Shed

Exterior Fridge Alcove & Survery

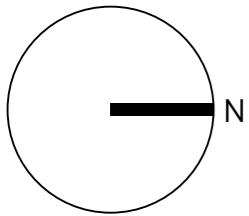
Drawing No:
VDN_002



Project:
Vanden by D'vine
Shed

Exterior
Drawing Size:
A3

TOP OF FRIDGE ALCOVE IN-LINE WITH EXTERNAL WINDOW REVEAL

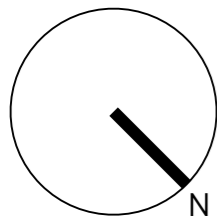


Drawing No:
VDN_003



Project:
Vanden by D'vine
Shed

Exterior
Drawing Size:
A3



Drawing No:
VDN_004

FLIP DOOR

DETAIL BASE OF FRIDGE ALCOVE AS PER EXISTING BUILDING





Project:
Vanden by D'vine
Shed

Interior Fridge Alcove & Survery

Drawing No:
VDN_005

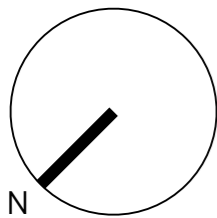
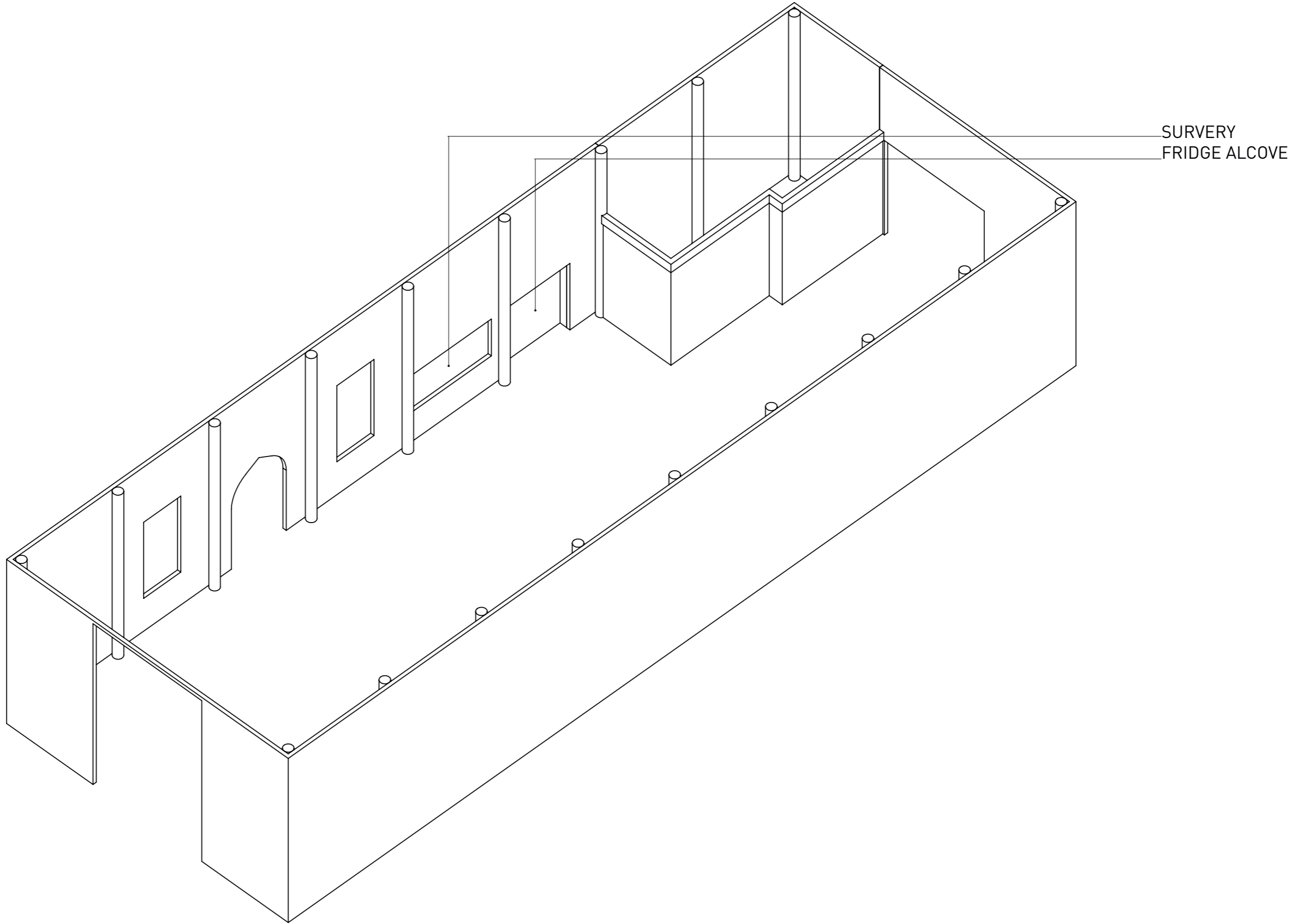


Project:
Vanden by D'vine
Shed

All dimensions are in
millimeters. Please
report any discrepan-
cies in advance, prior
to manufacture.

**Internal Isometric
View:**
Survery & Fridge
Alcove

Drawing Size:
A3



Drawing No:
VDN_006

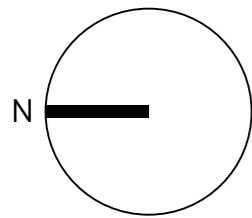


Project:
Vanden by D'vine
Shed

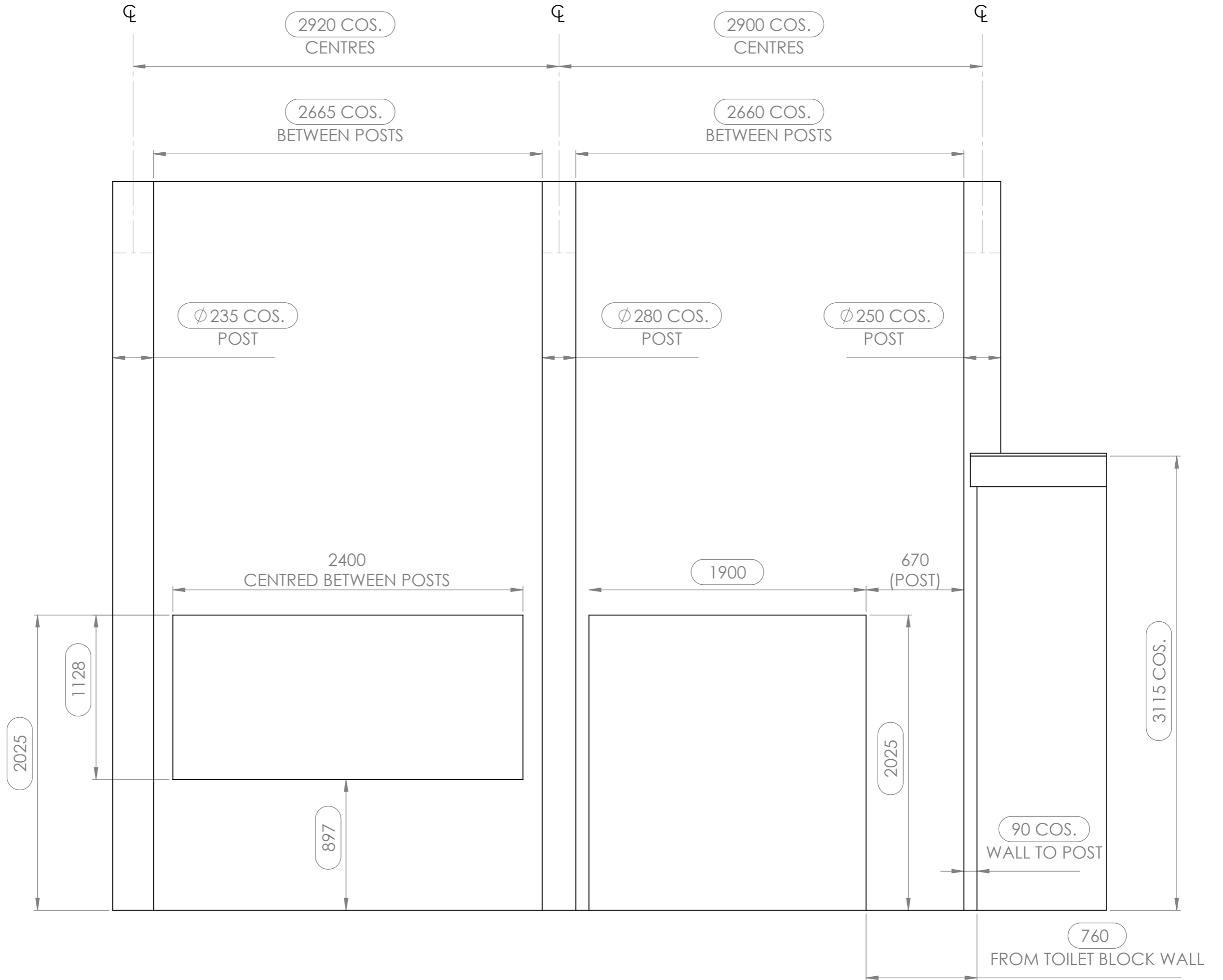
All dimensions are in millimeters. Please report any discrepancies in advance, prior to manufacture.

East Internal Elevatoin:
Survery & Fridge
Alcove

Drawing Size:
A3



Drawing No:
VDN_007



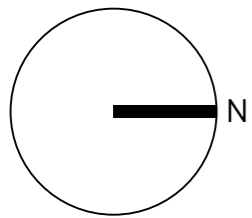


Project:
Vanden by D'vine
Shed

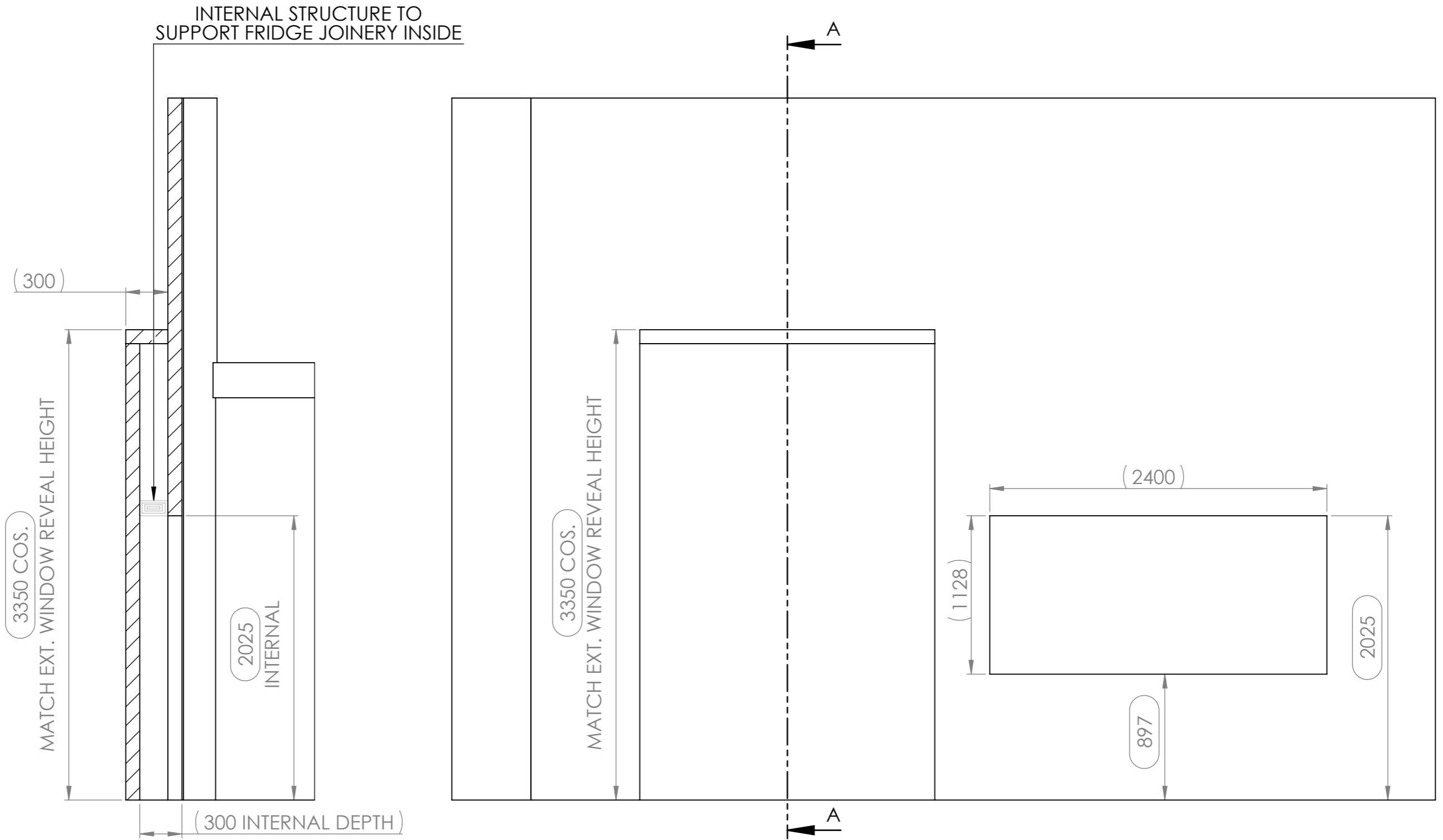
All dimensions are in
millimeters. Please
report any discrepan-
cies in advance, prior
to manufacture.

Western External
Elevatoin:
Survery & Fridge
Alcove

Drawing Size:
A3



Drawing No:
VDN_008



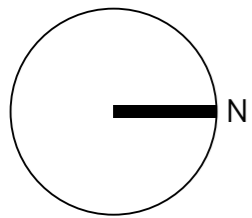


Project:
Vanden by D'vine
Shed

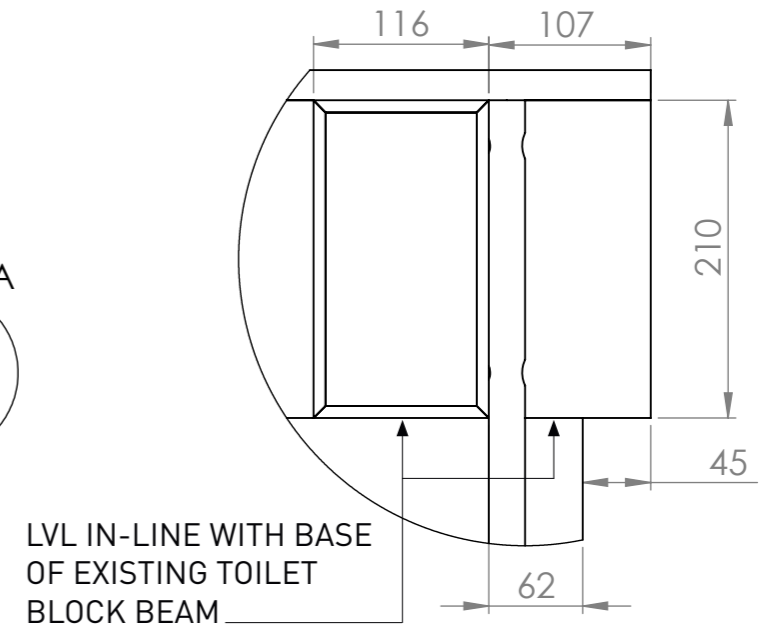
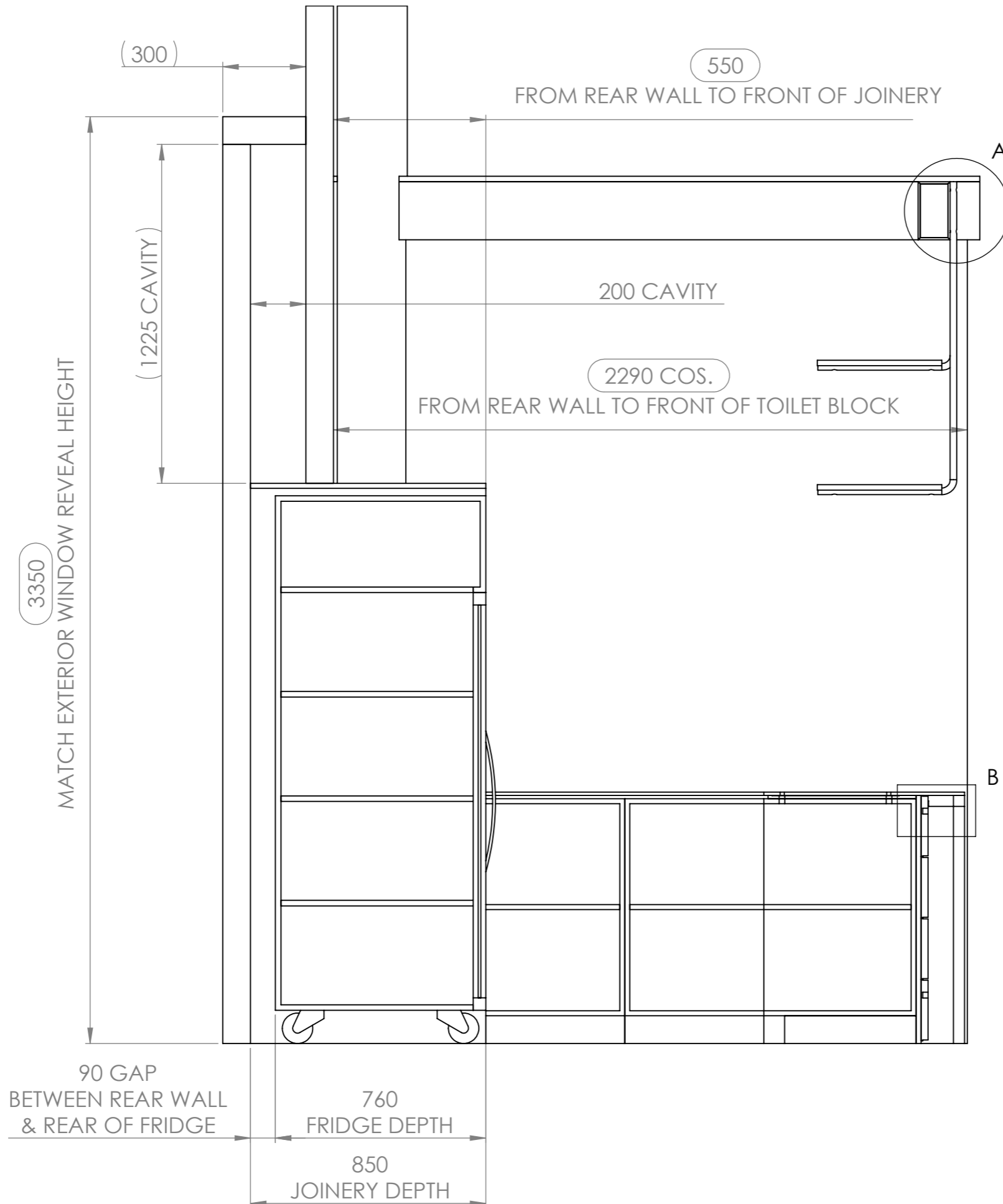
All dimensions are in
millimeters. Please
report any discrepan-
cies in advance, prior
to manufacture.

Sectoin View:
Fridge Alcove

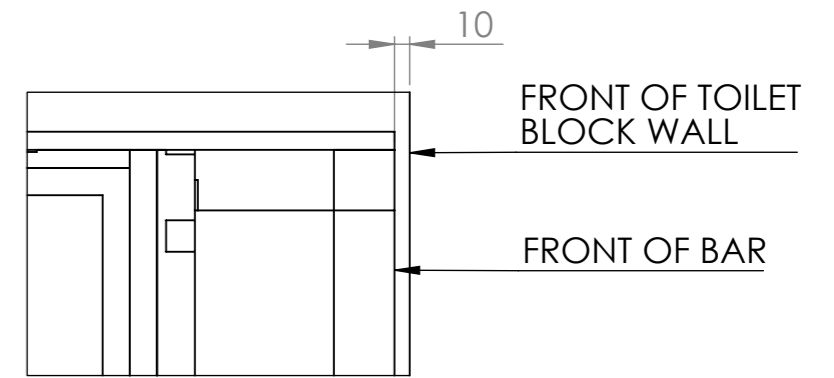
Drawing Size:
A3



Drawing No:
VDN_009



DETAIL A
SCALE 1 : 5



DETAIL B
SCALE 1 : 5

0407 585 578



Project:
Vanden by D'vine
Shed

Bar Details

ANDREW@ANDREWEDEN.COM.AU

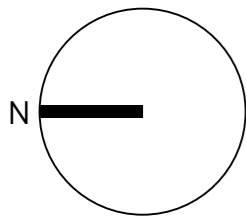
ANDY EDEN

Drawing No:
VDN_010



Project:
Vanden by D'vine
Shed

Render:
Bar
Drawing Size:
A3



Drawing No:
VDN_011

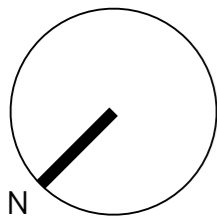
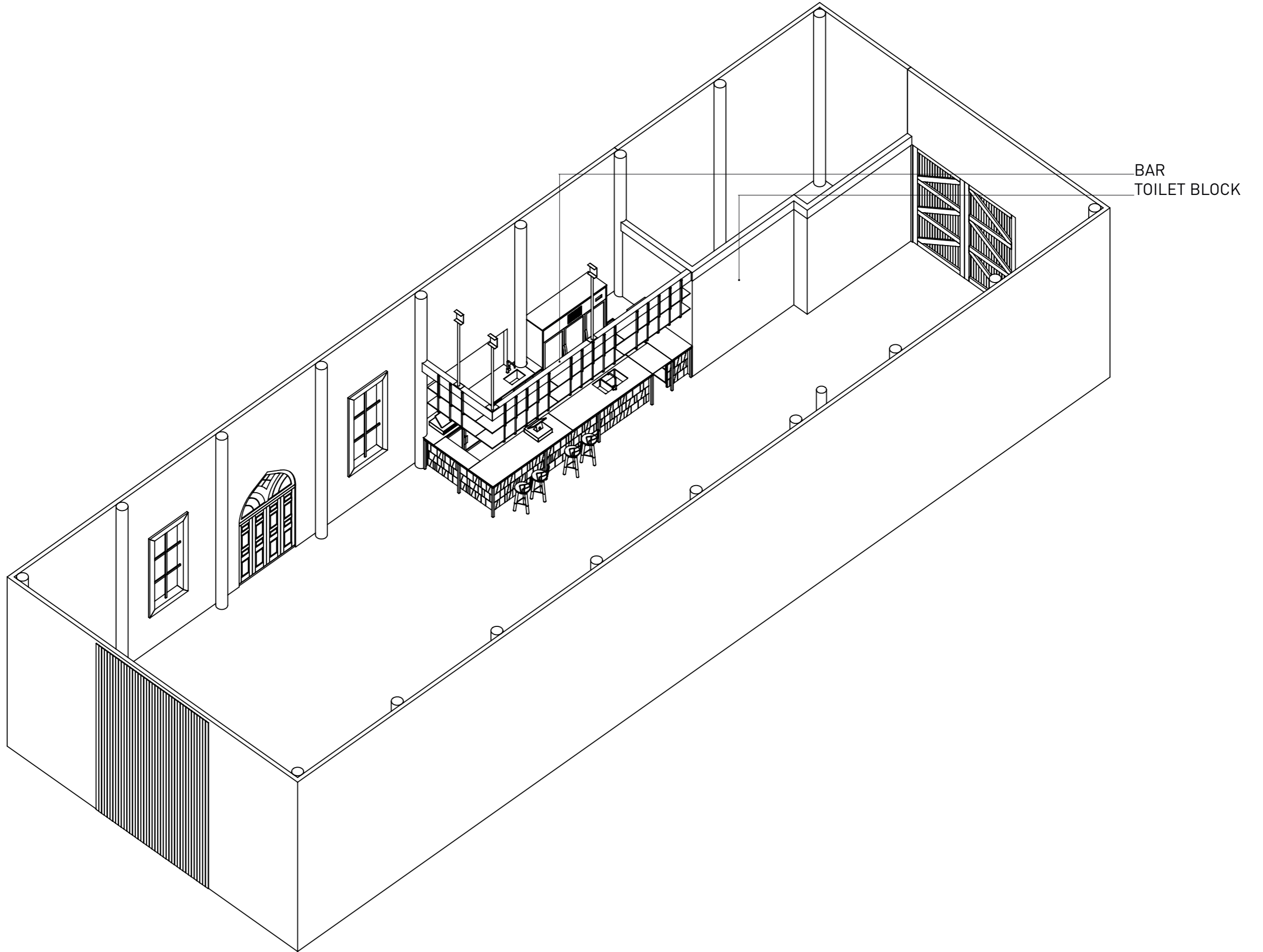


Project:
Vanden by D'vine
Shed

All dimensions are in millimeters. Please report any discrepancies in advance, prior to manufacture.

Internal Isometric View:
Bar

Drawing Size:
A3



Drawing No:
VDN_012



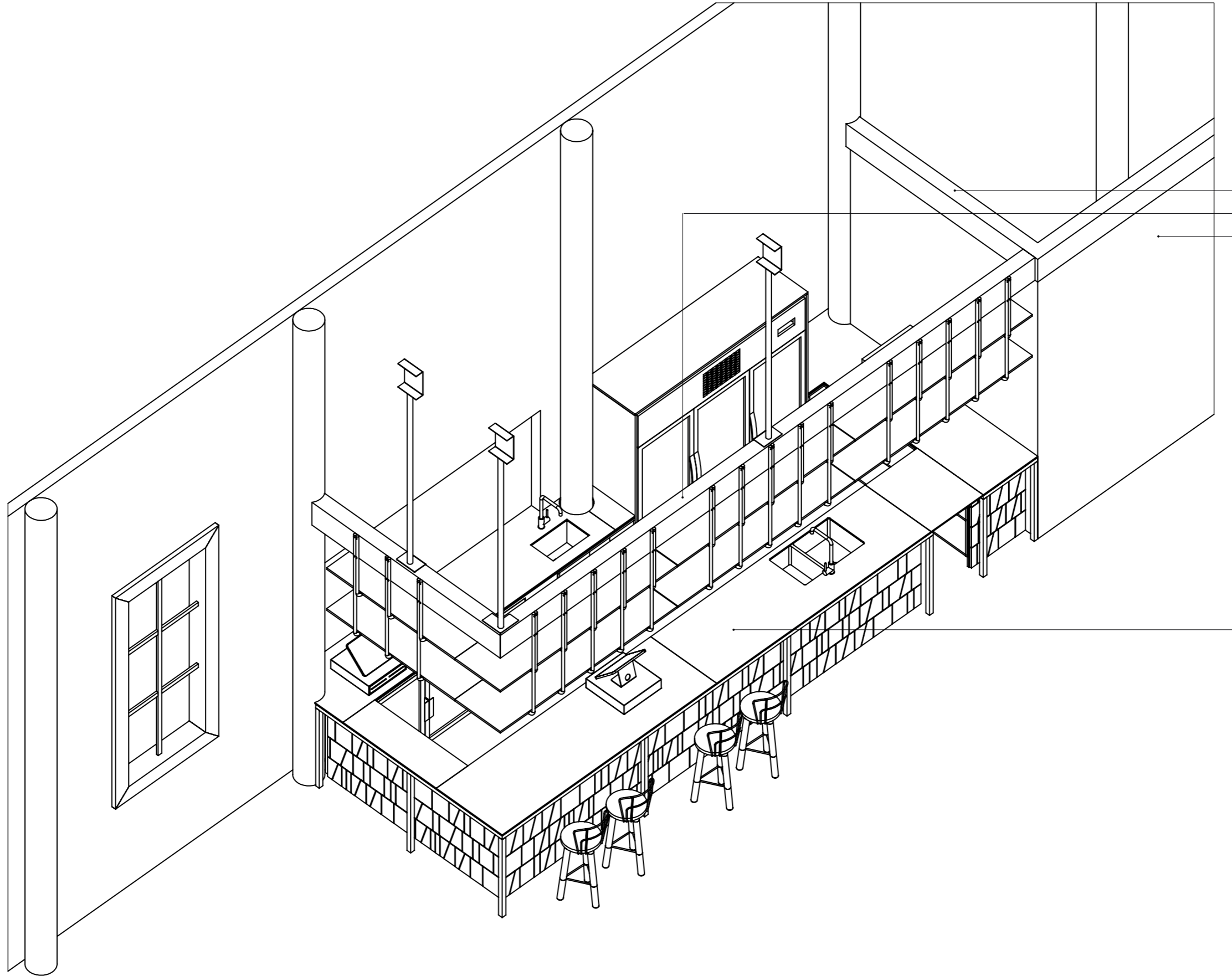
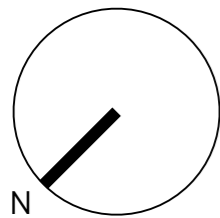
Project:
Vanden by D'vine
Shed

All dimensions are in millimeters. Please report any discrepancies in advance, prior to manufacture.

Cut Away Isometric View:
Bar

Drawing Size:
A3

Drawing No:
VDN_013



TOILET BLOCK BEAM
TOP BAR
TOILET BLOCK
BASE BAR

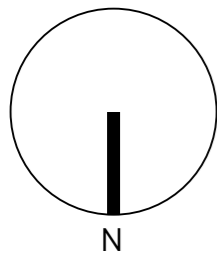


Project:
Vanden by D'vine
Shed

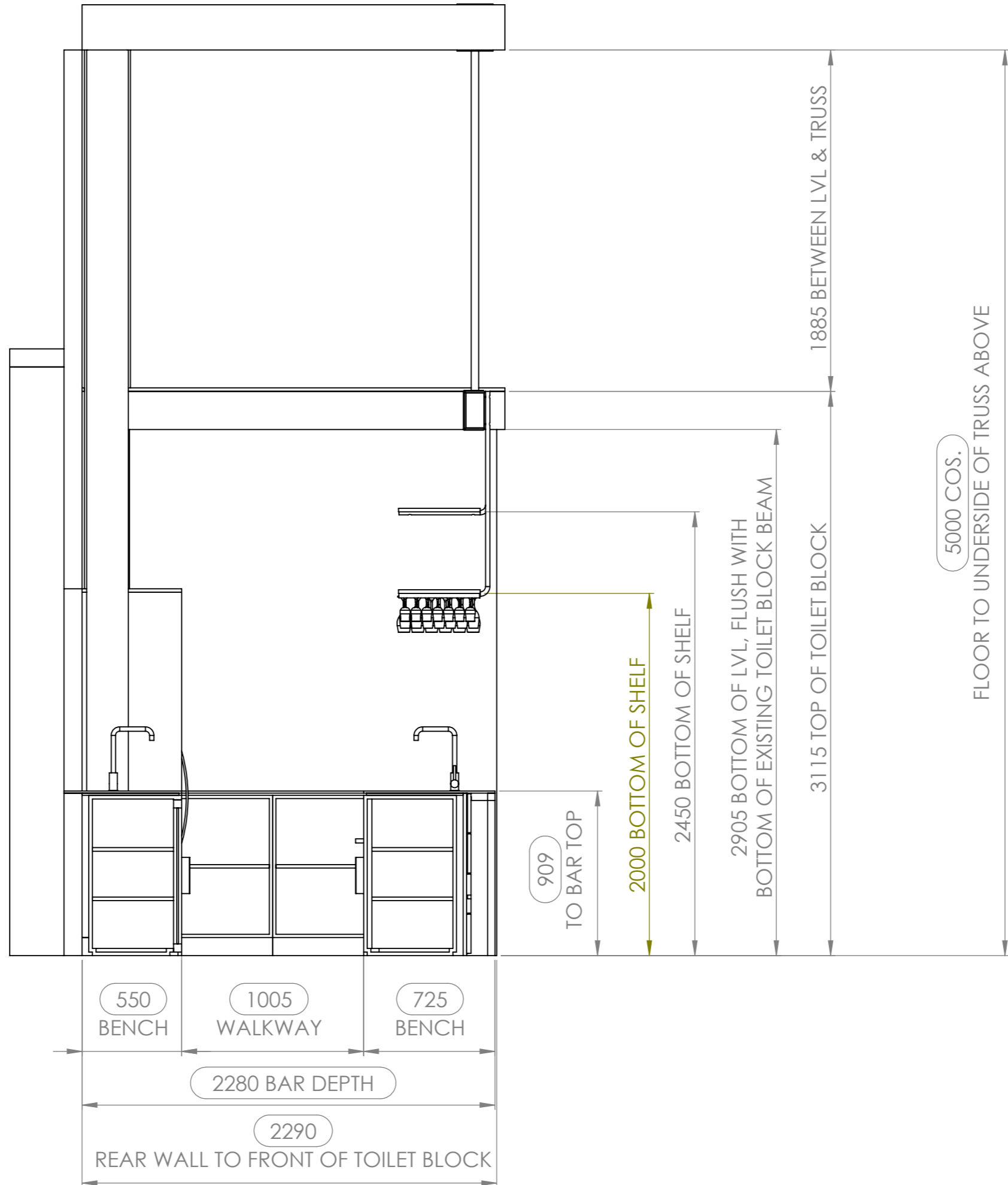
All dimensions are in
millimeters. Please
report any discrepan-
cies in advance, prior
to manufacture.

Section View:
Bar

Drawing Size:
A3



Drawing No:
VDN_014



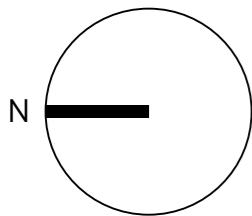
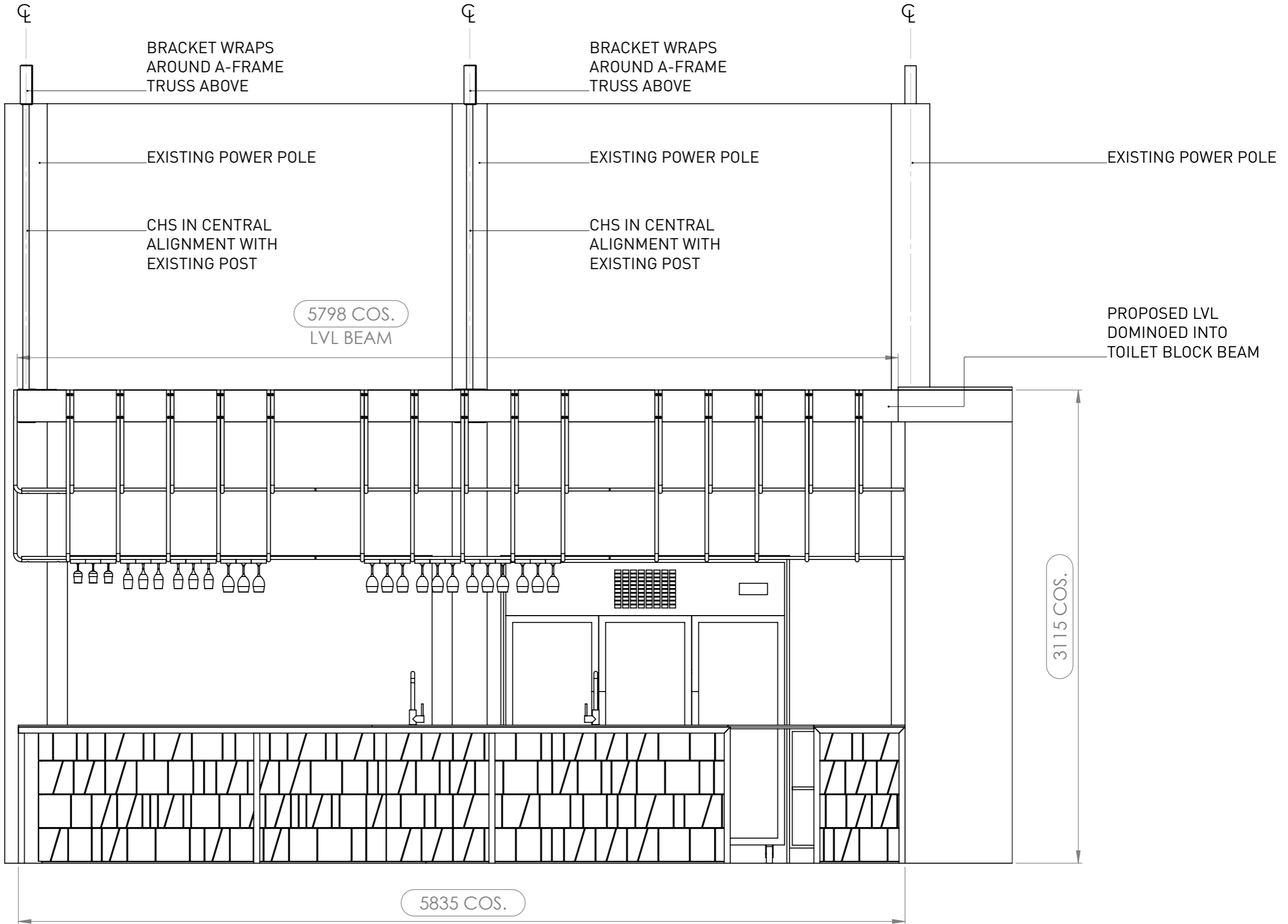


Project:
Vanden by D'vine
Shed

All dimensions are in
millimeters. Please
report any discrepan-
cies in advance, prior
to manufacture.

Eastern Internal
Elevation:
Bar

Drawing Size:
A3



Drawing No:
VDN_015

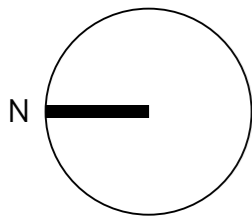


Project:
Vanden by D'vine
Shed

All dimensions are in
millimeters. Please
report any discrepan-
cies in advance, prior
to manufacture.

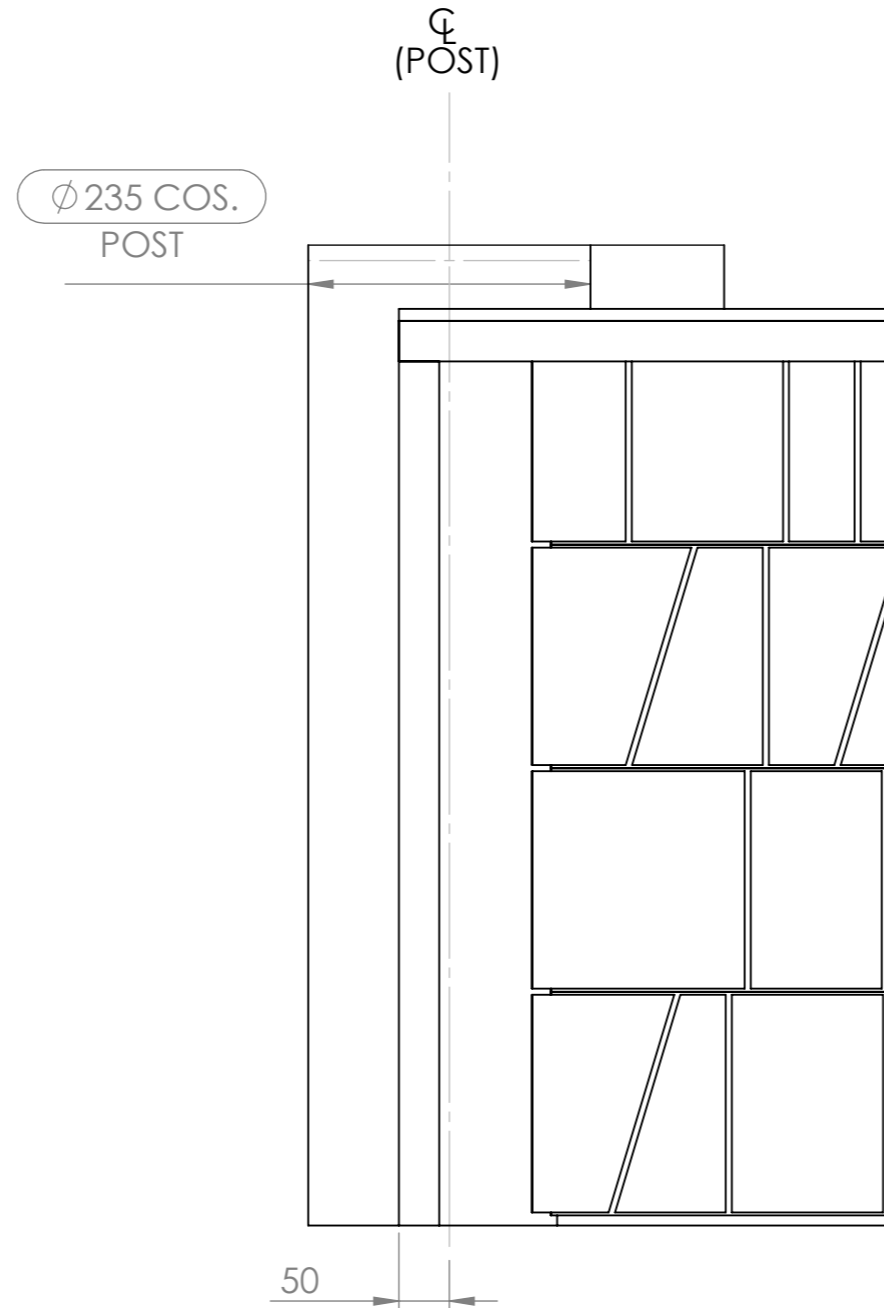
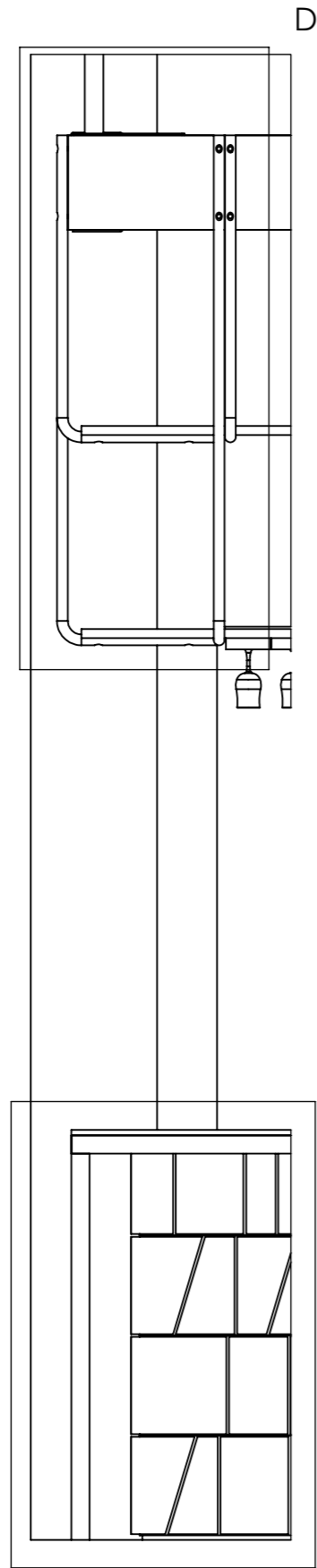
Eastern Internal
Elevation:
Detail Views

Drawing Size:
A3

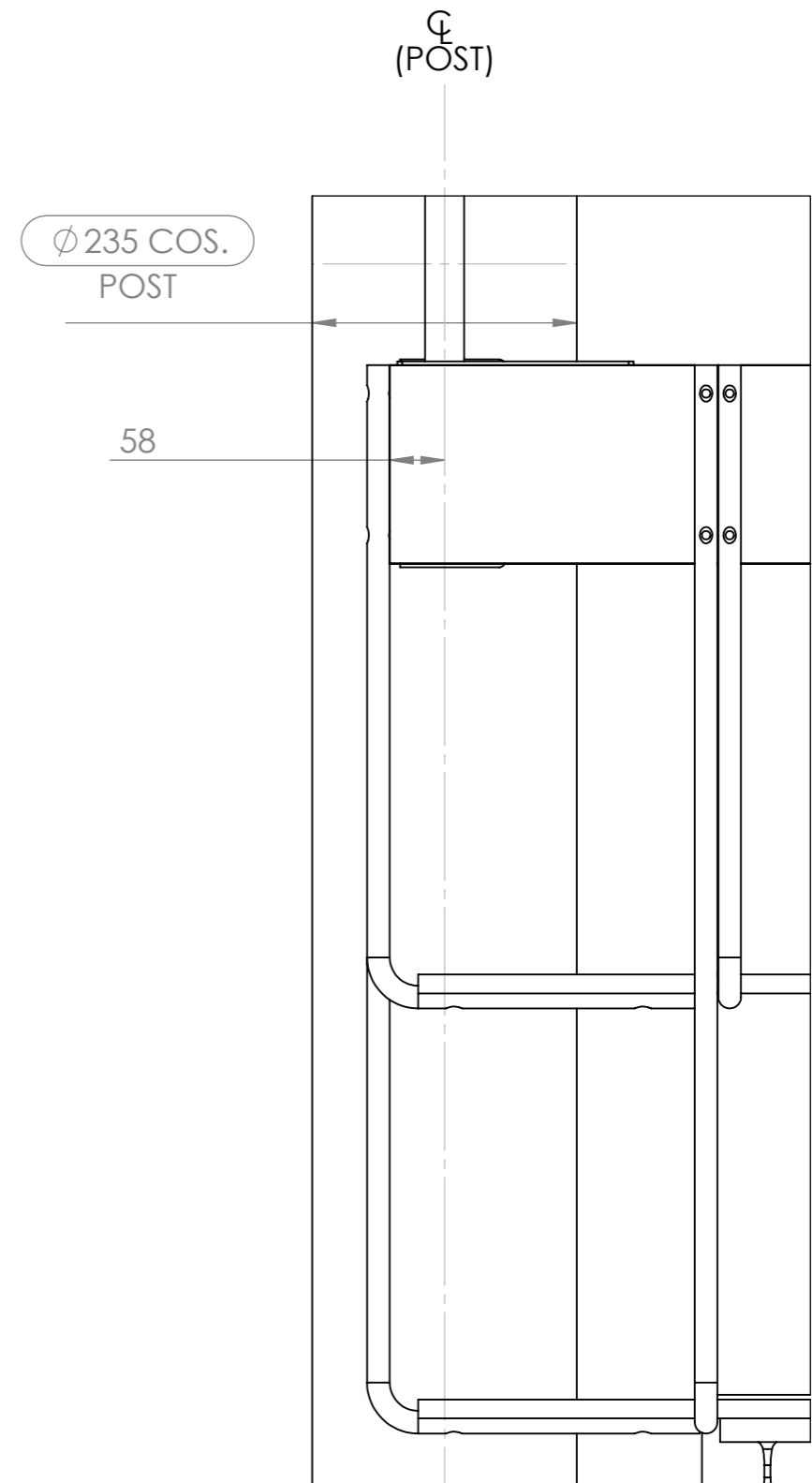


Drawing No:

VDN_016



DETAIL C
SCALE 2 : 15



DETAIL D
SCALE 2 : 15



Project:
Vanden by D'vine
Shed

Top Bar Details

Drawing No:
VDN_017

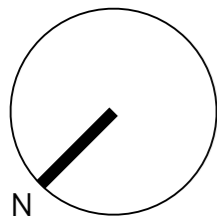


Project:
Vanden by D'vine
Shed

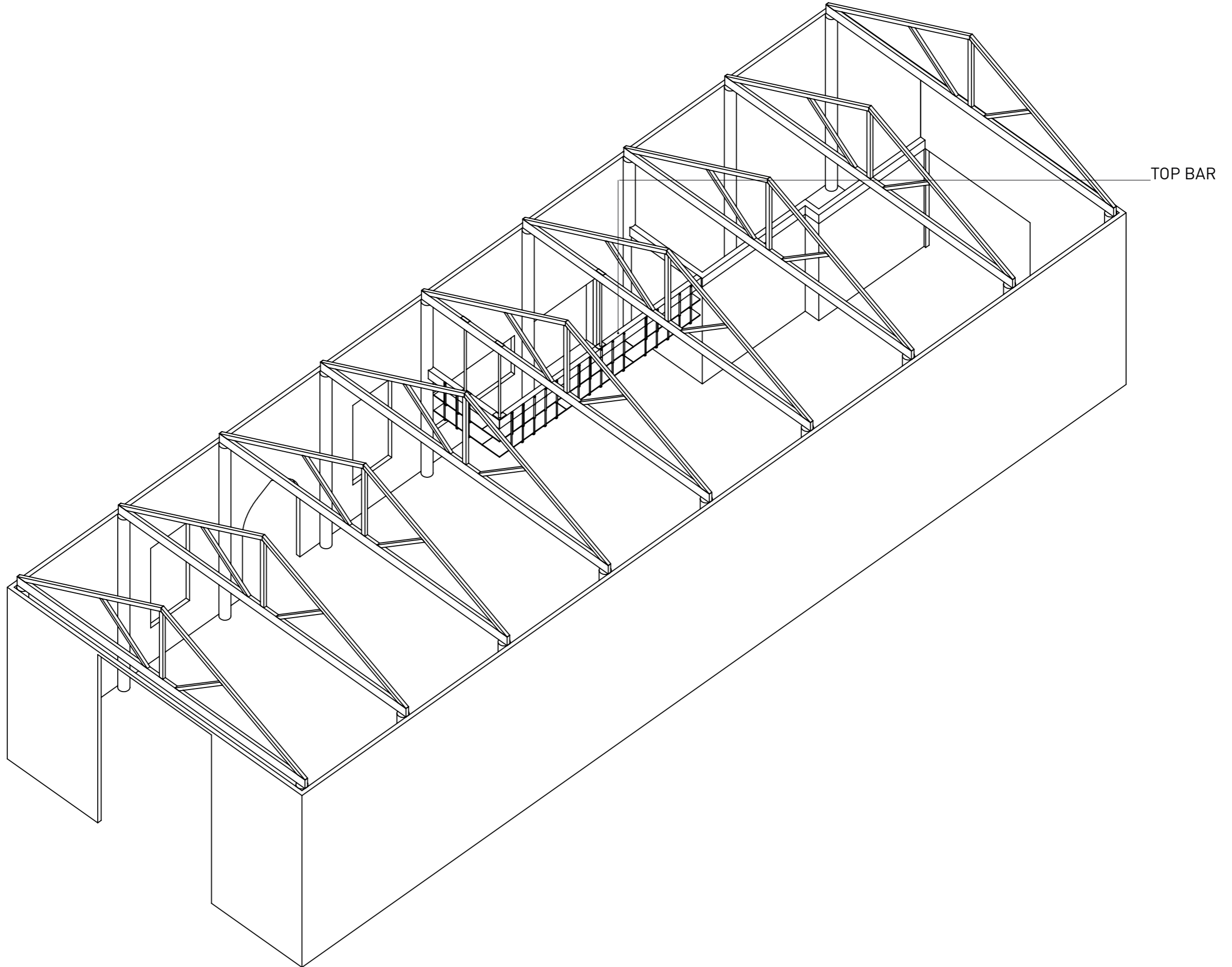
All dimensions are in
millimeters. Please
report any discrepan-
cies in advance, prior
to manufacture.

**Internal Isometric
View:**
Top Bar

Drawing Size:
A3



Drawing No:
VDN_018



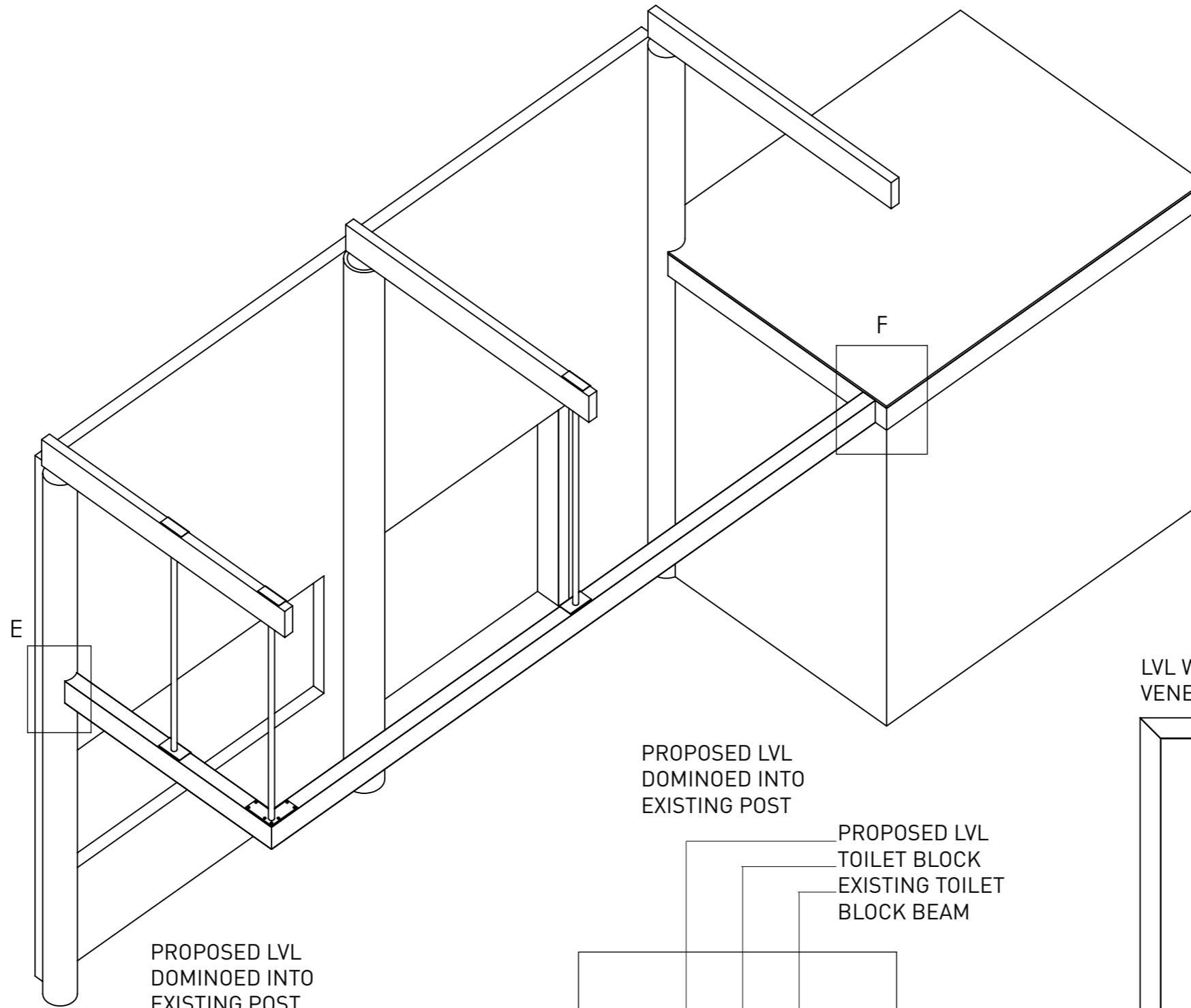


Project:
Vanden by D'vine
Shed

All dimensions are in
millimeters. Please
report any discrepan-
cies in advance, prior
to manufacture.

Cut Away Isometric
View:
Top Bar_

Drawing Size:
A3



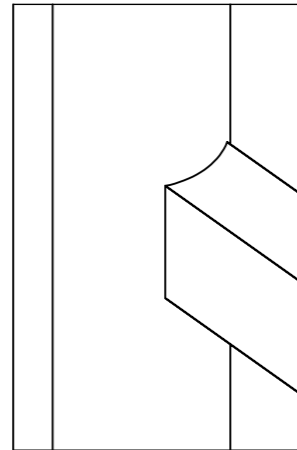
LVL WITH 8 AMERICAN OAK
VENEER TO ALL SIDES.

PROPOSED LVL
DOMINOED INTO
EXISTING POST

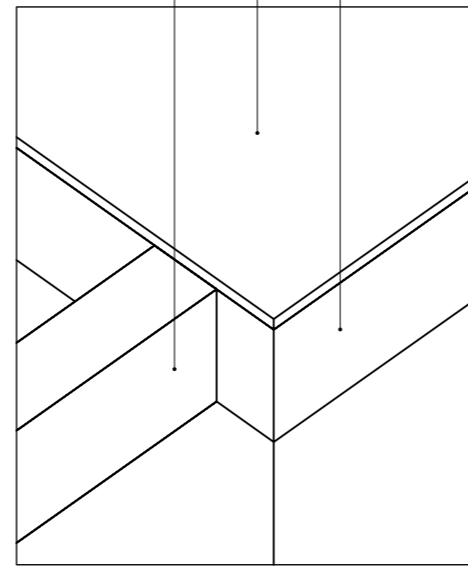
PROPOSED LVL
TOILET BLOCK
EXISTING TOILET
BLOCK BEAM

PROPOSED LVL
DOMINOED INTO
EXISTING POST

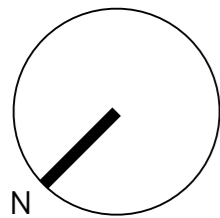
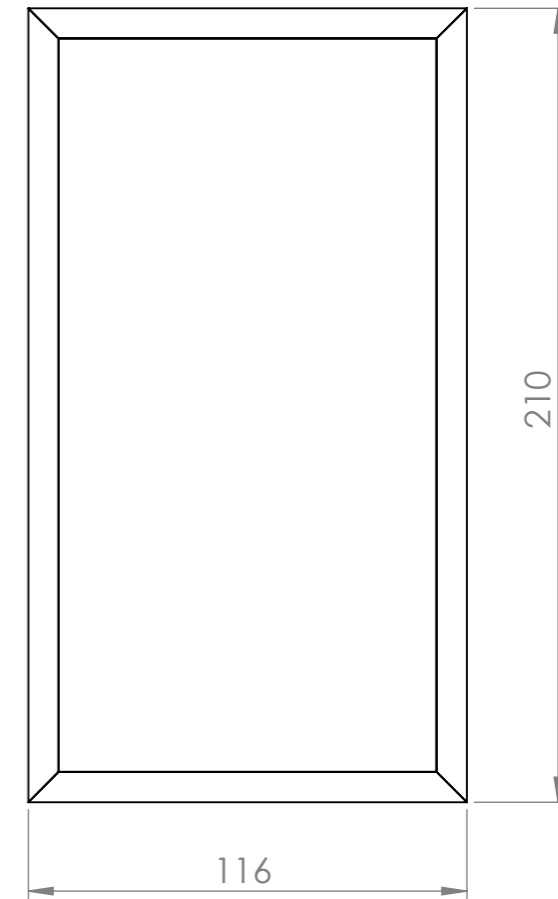
LVL PROFILE



DETAIL E
SCALE 1 : 10



DETAIL F
SCALE 1 : 10





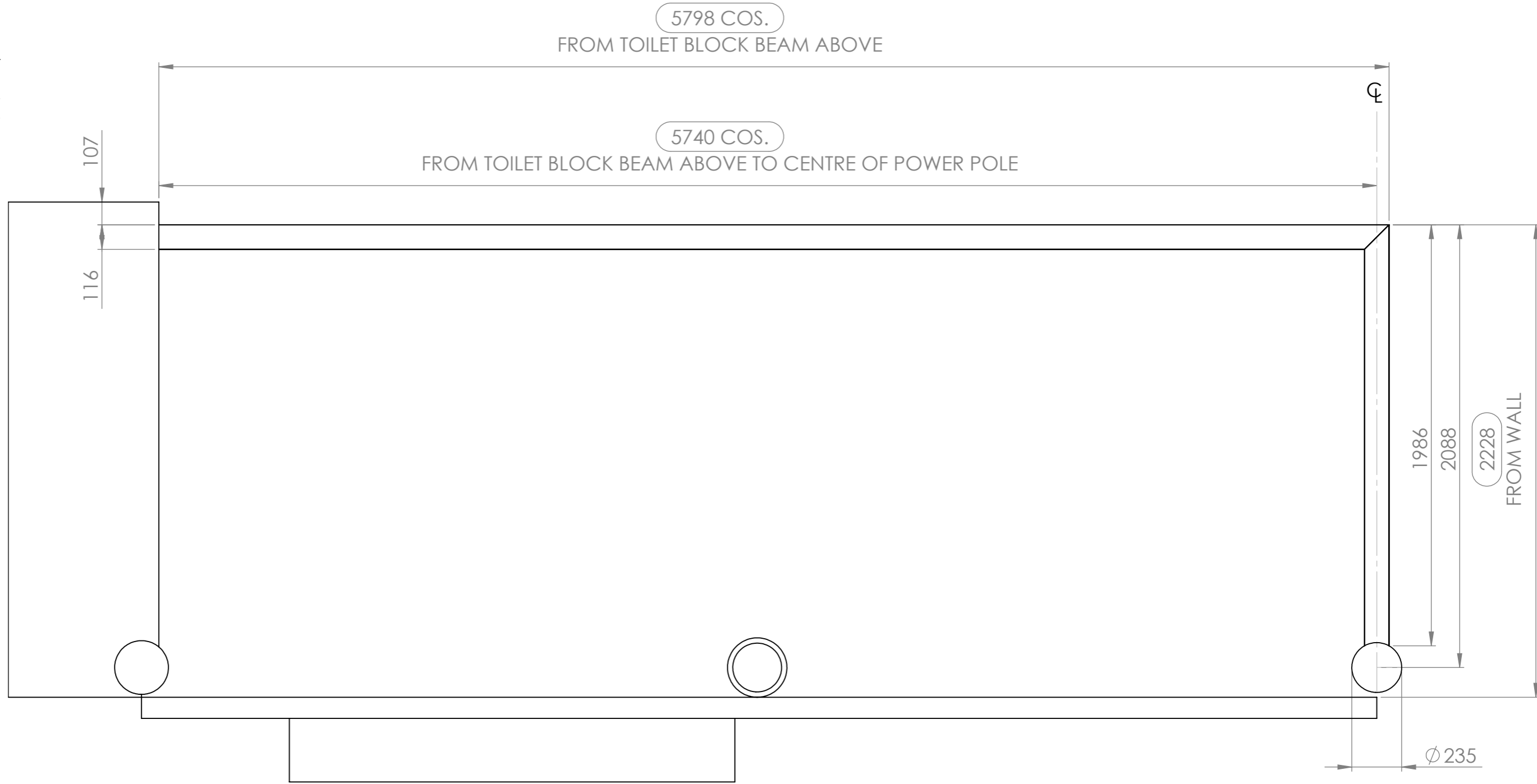
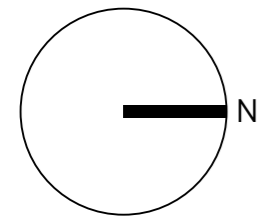
Project:
Vanden by D'vine
Shed

All dimensions are in
millimeters. Please
report any discrepan-
cies in advance, prior
to manufacture.

Top View:
LVL Sizes

Drawing Size:
A3

Drawing No:
VDN_020



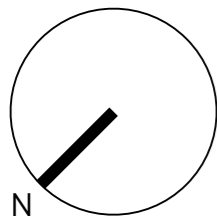


Project:
Vanden by D'vine
Shed

All dimensions are in
millimeters. Please
report any discrepan-
cies in advance, prior
to manufacture.

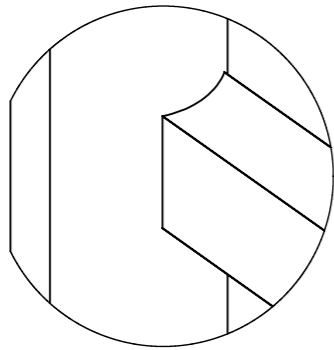
Cut Away Isometric
View:
Top Bar

Drawing Size:
A3

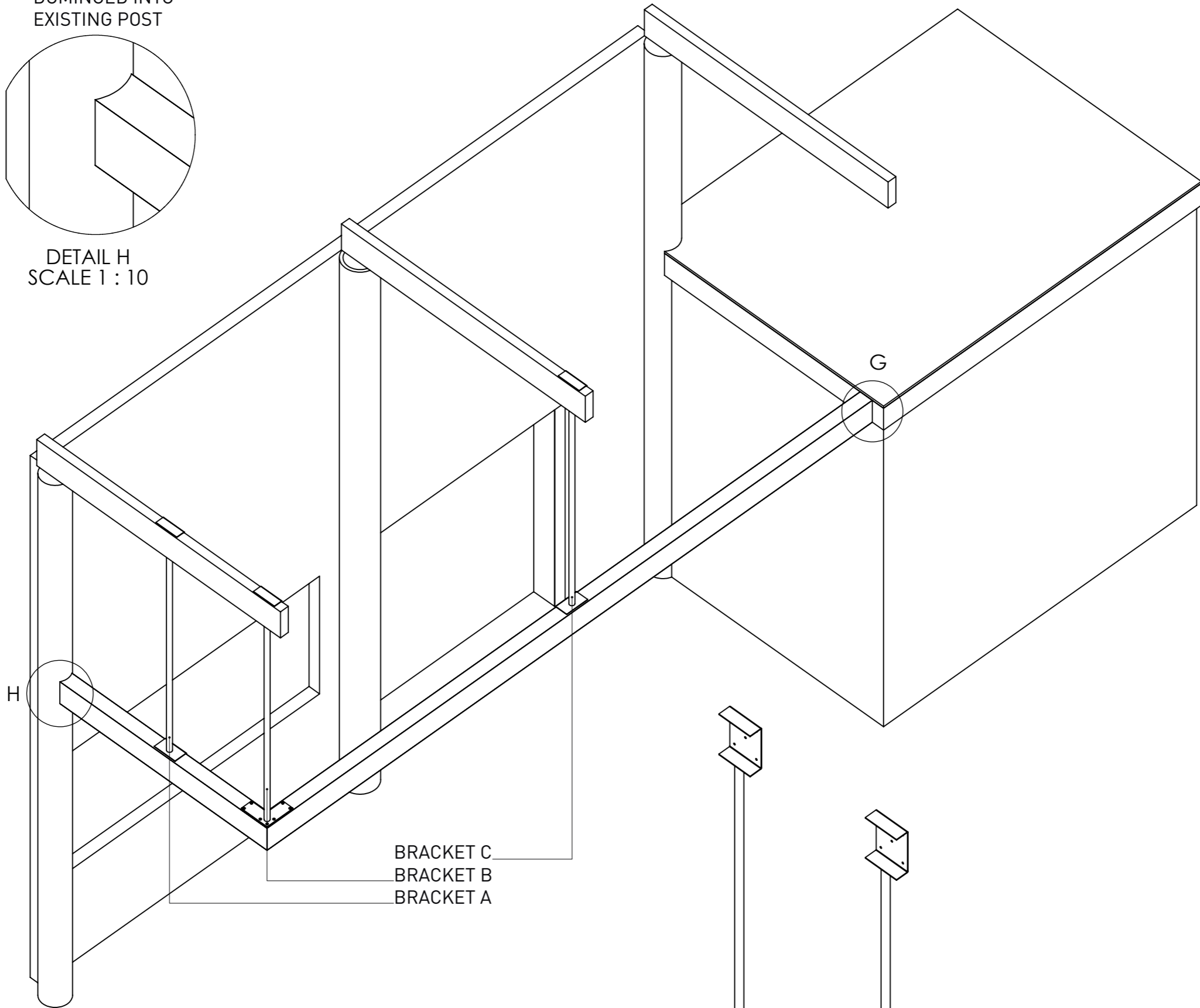


Drawing No:
VDN_021

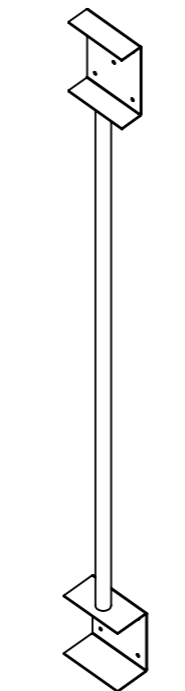
PROPOSED LVL
DOMINOED INTO
EXISTING POST



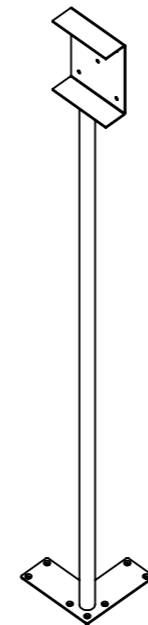
DETAIL H
SCALE 1 : 10



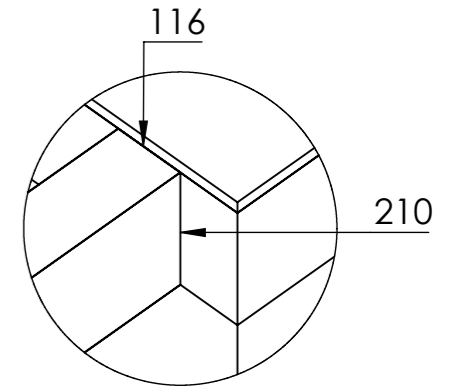
BRACKET C
BRACKET B
BRACKET A



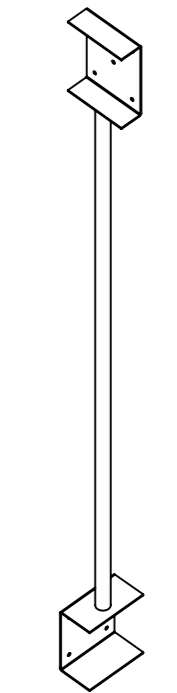
BRACKET A



BRACKET B



DETAIL G
SCALE 1 : 10
PROPOSED LVL
DOMINOED INTO
TOILET BLOCK BEAM



BRACKET C



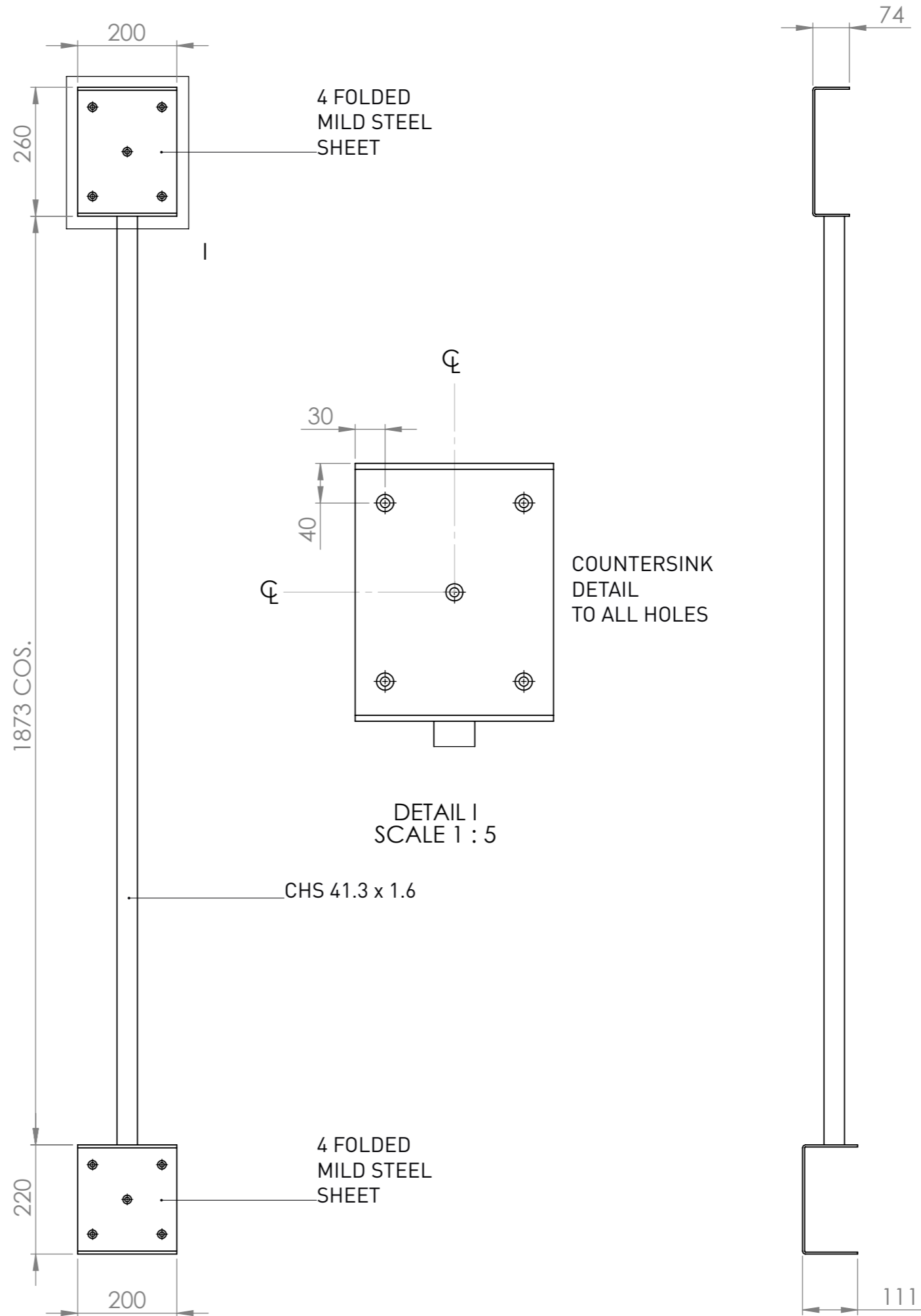
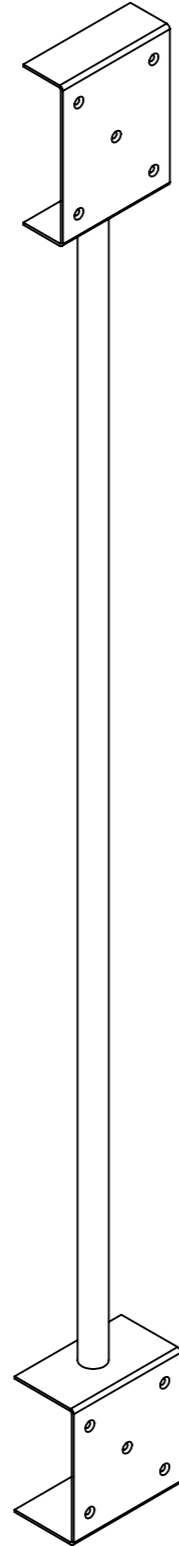
Project:
Vanden by D'vine
Shed

All dimensions are in
millimeters. Please
report any discrepan-
cies in advance, prior
to manufacture.

Orthographic Views:
Bracket A_

Drawing Size:
A3

Drawing No:
VDN_022





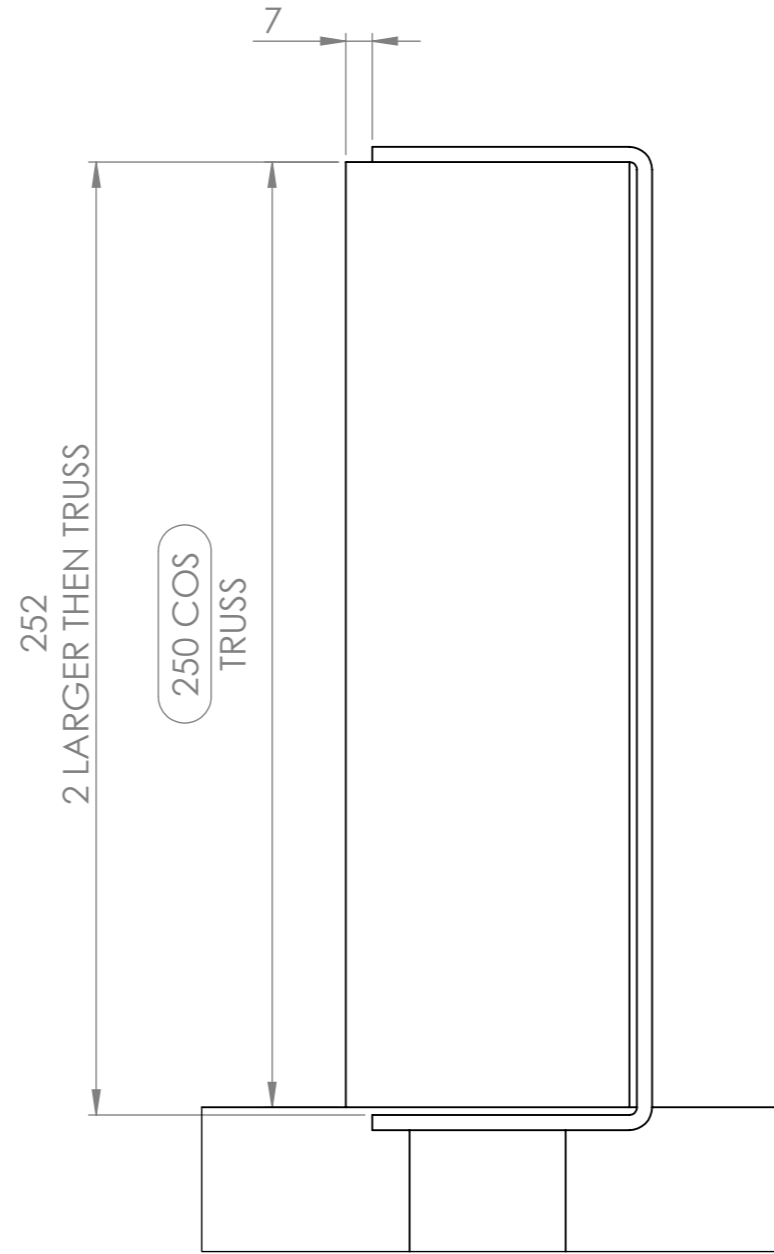
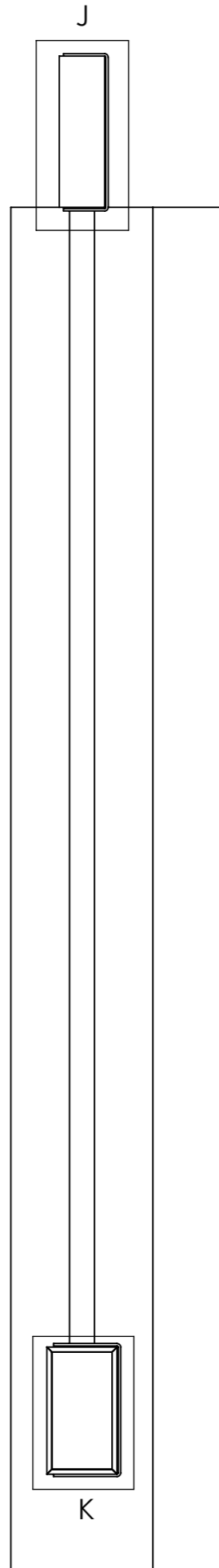
Project:
Vanden by D'vine
Shed

All dimensions are in
millimeters. Please
report any discrepan-
cies in advance, prior
to manufacture.

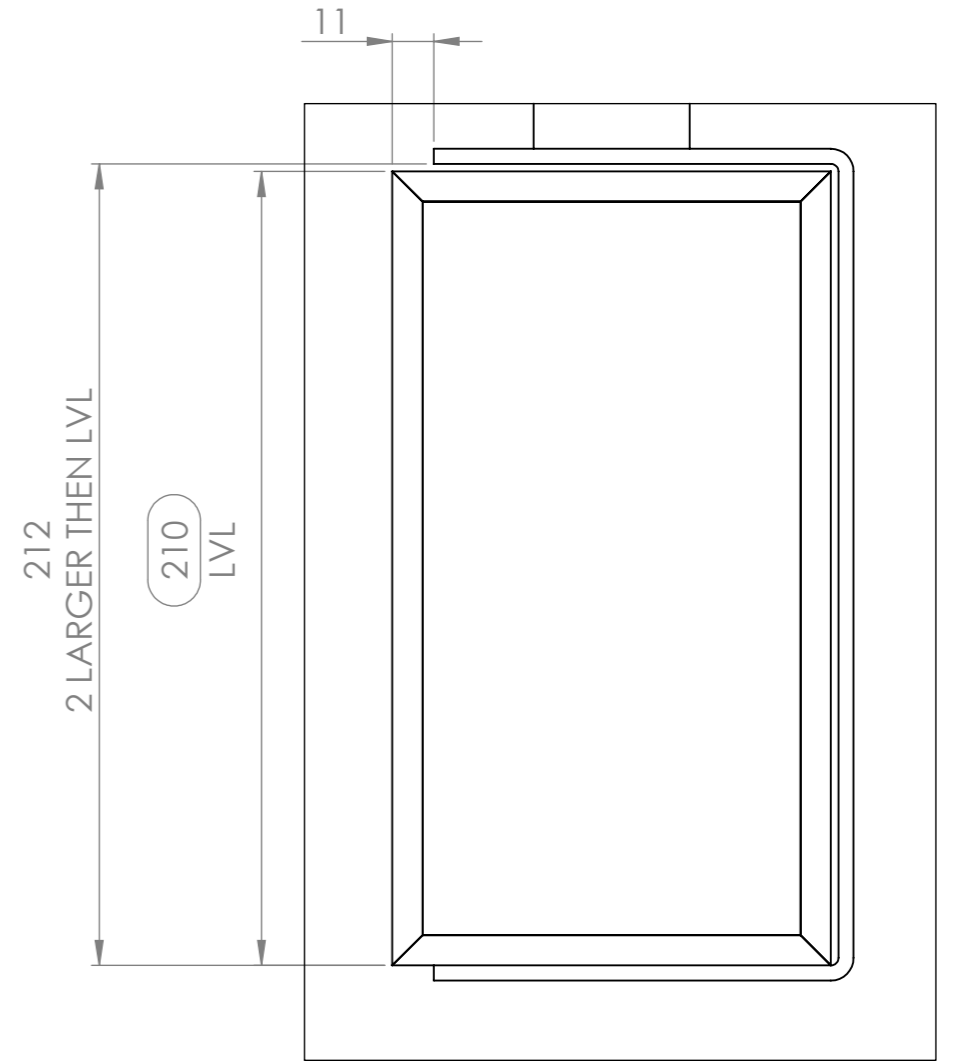
Orthographic Views:
Bracket B_

Drawing Size:
A3

Drawing No:
VDN_023



DETAIL J
SCALE 1 : 2



DETAIL K
SCALE 1 : 2

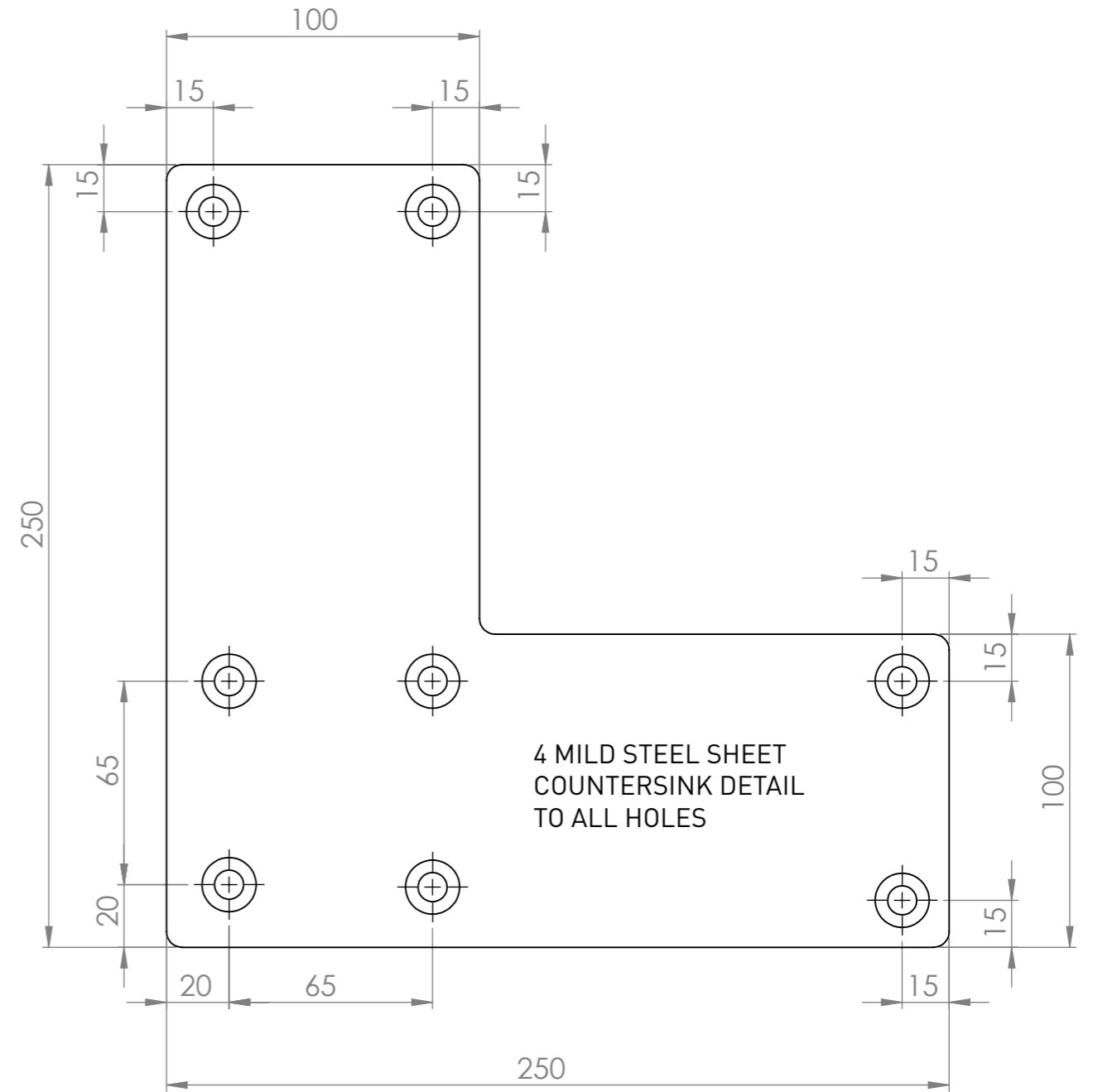
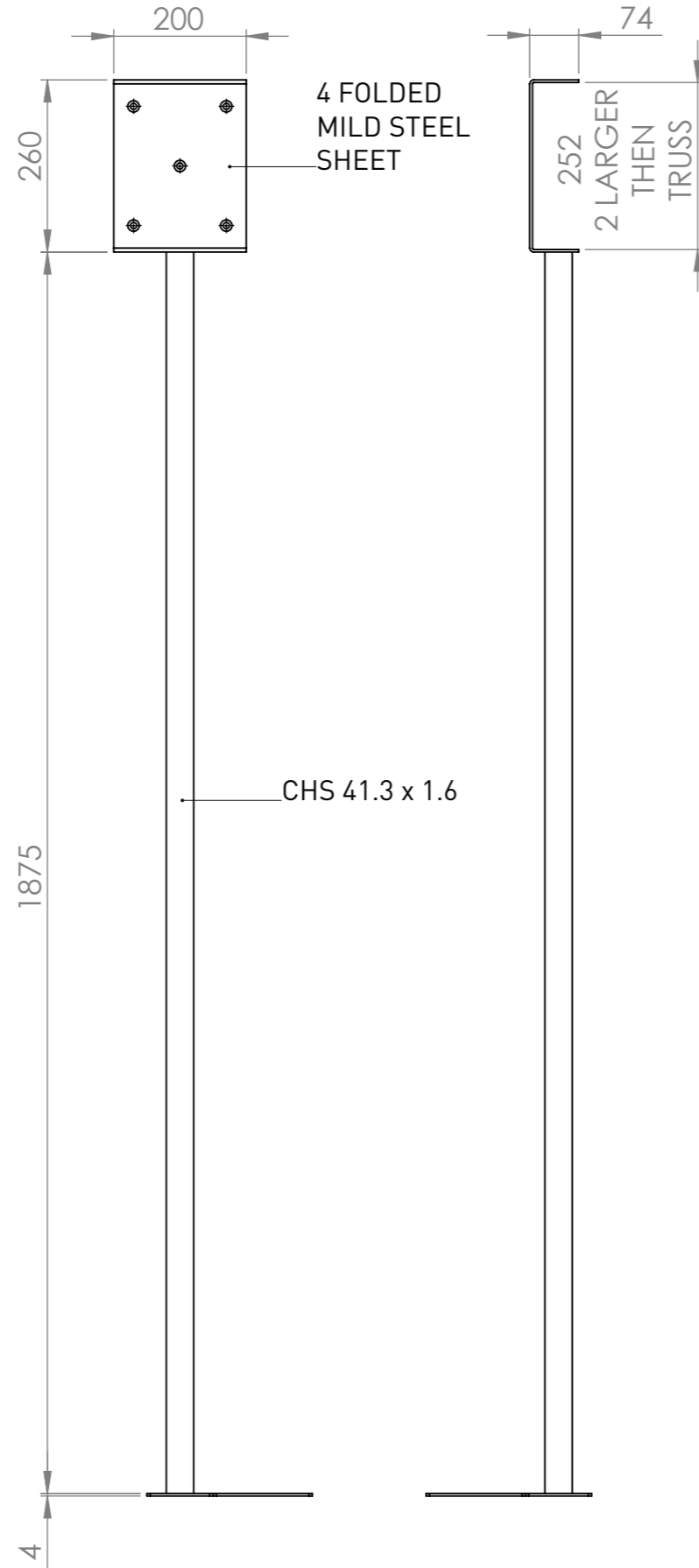
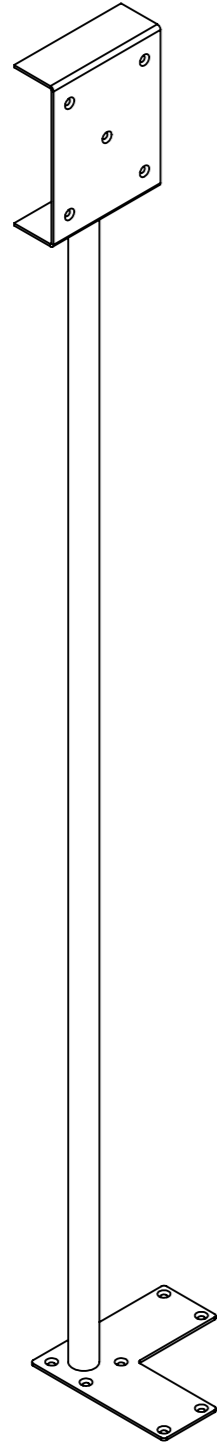


Project:
Vanden by D'vine
Shed

All dimensions are in
millimeters. Please
report any discrepan-
cies in advance, prior
to manufacture.

Orthographic Views:
Bracket C_

Drawing Size:
A3





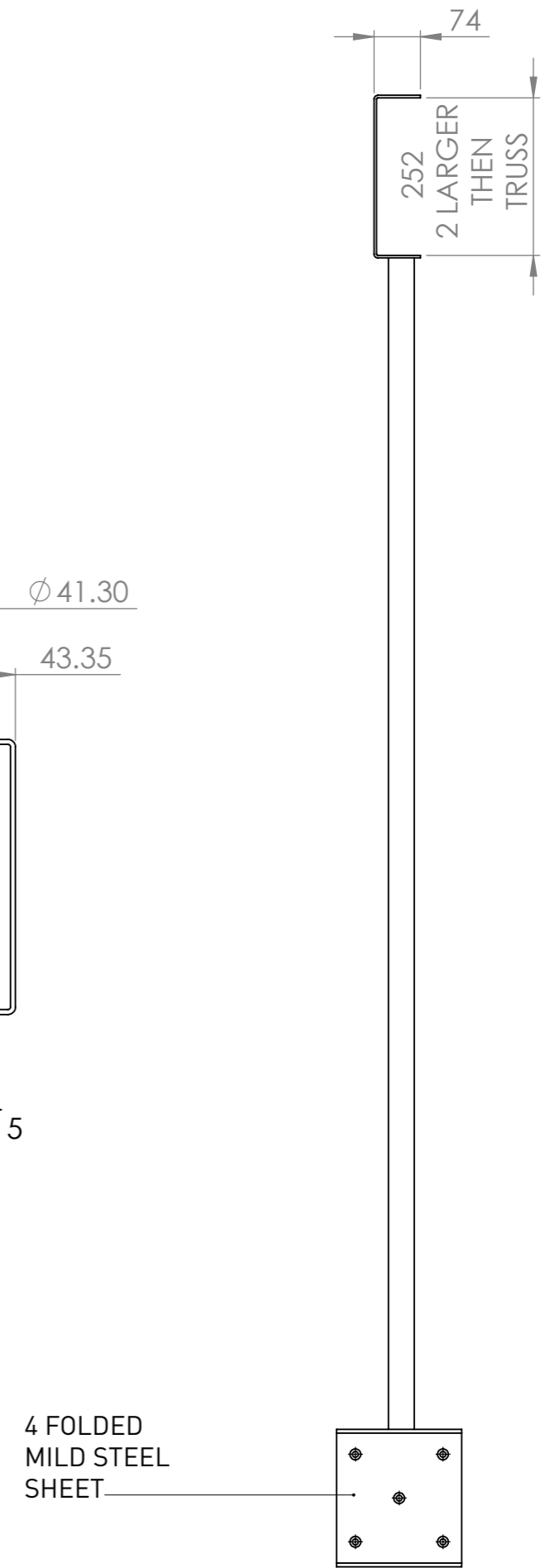
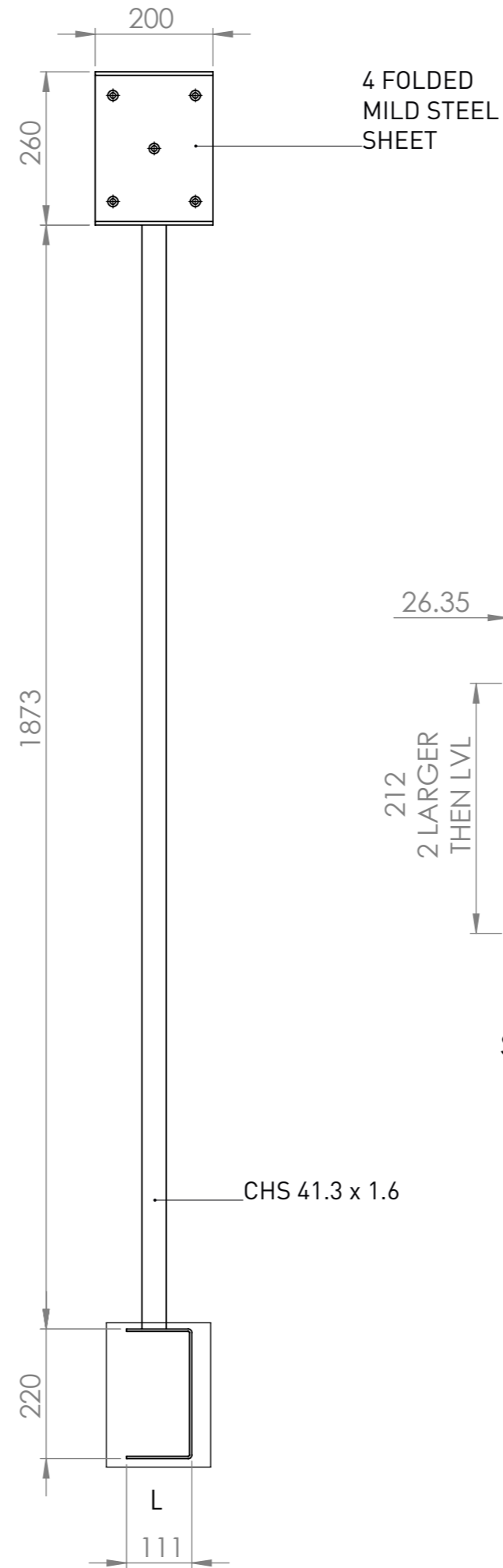
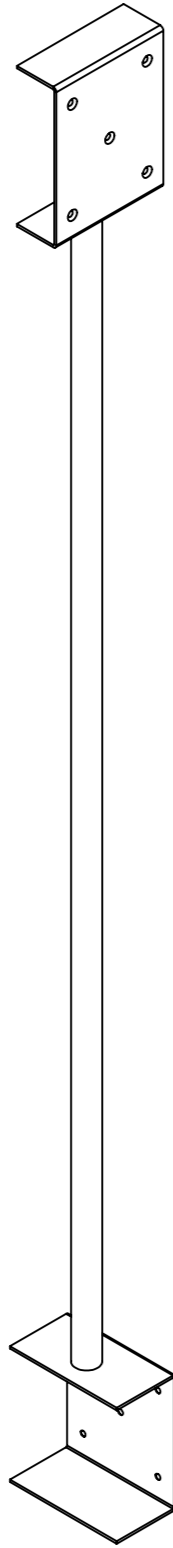
Project:
Vanden by D'vine
Shed

All dimensions are in
millimeters. Please
report any discrepan-
cies in advance, prior
to manufacture.

Orthographic Views:
Bracket C_

Drawing Size:
A3

Drawing No:
VDN_025



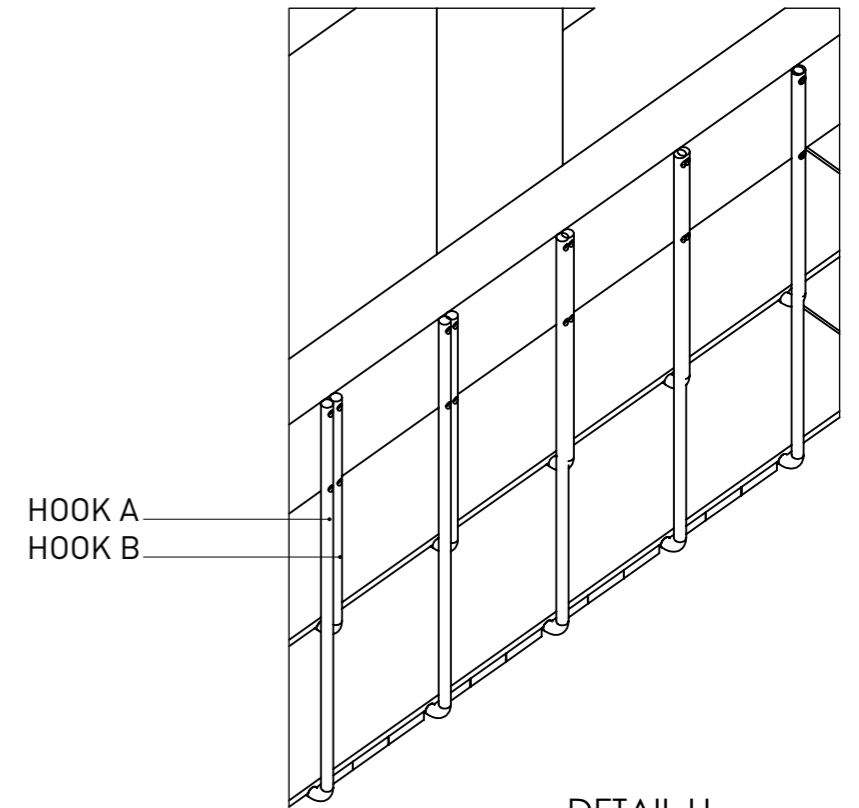
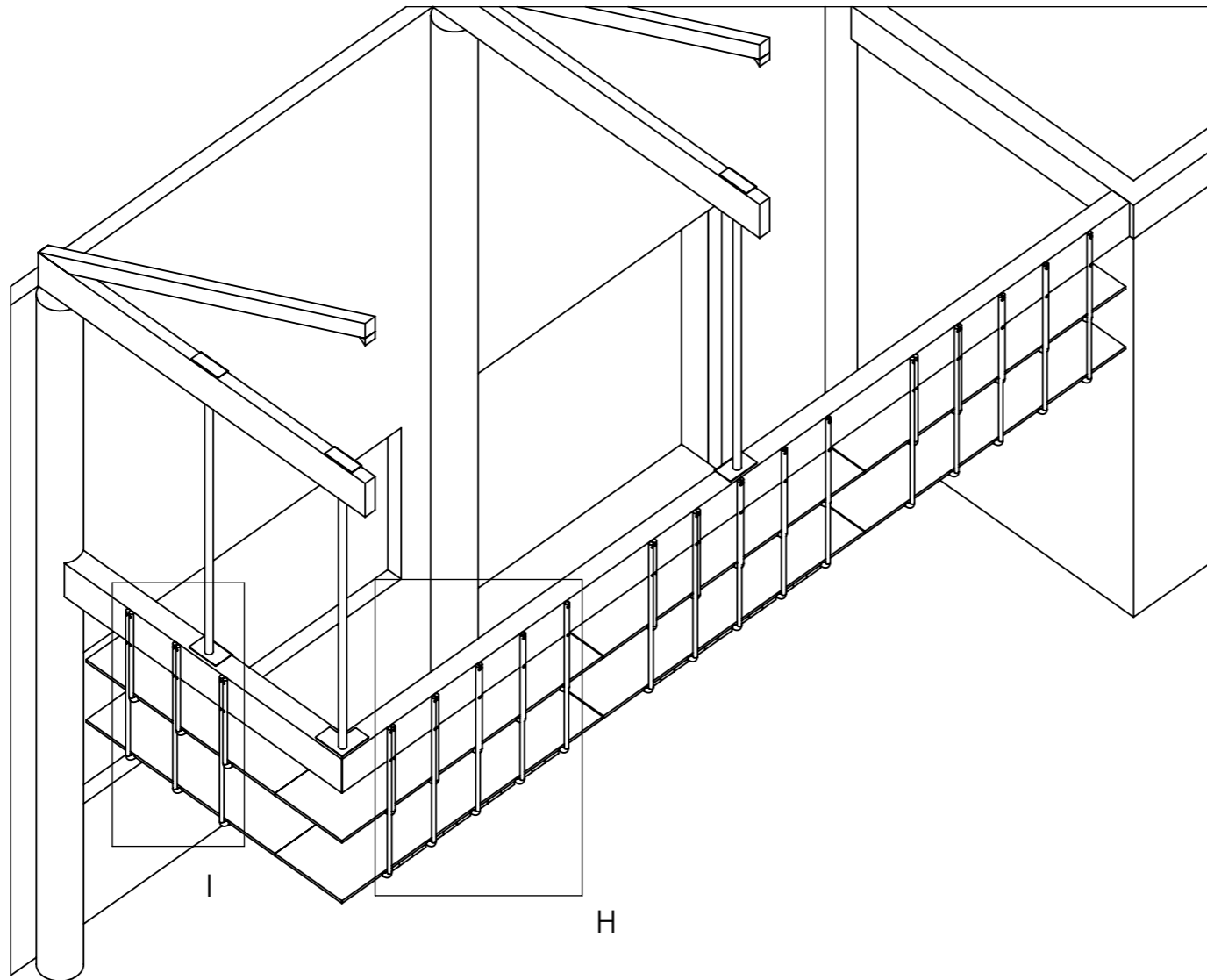


Project:
Vanden by D'vine
Shed

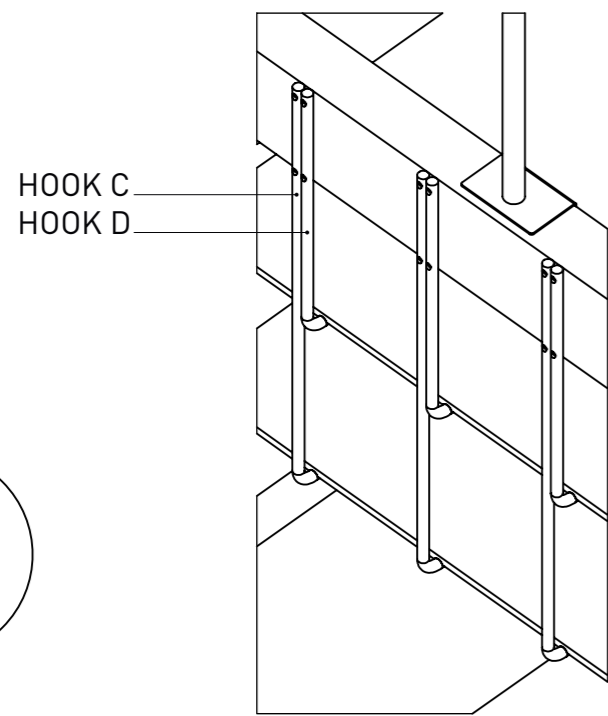
All dimensions are in
millimeters. Please
report any discrepan-
cies in advance, prior
to manufacture.

Cut Away Isometric
View:
Top Bar Hooks

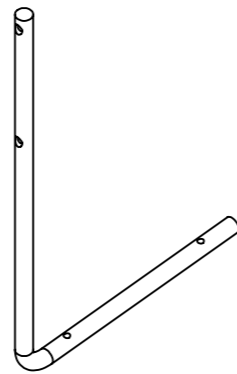
Drawing Size:
A3



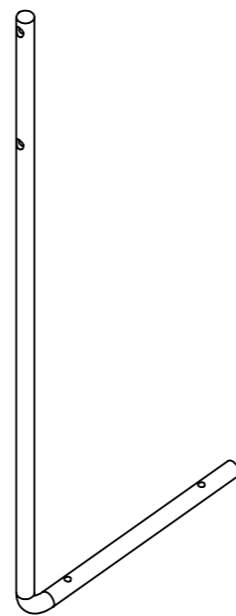
DETAIL H
SCALE 1 : 15



DETAIL I
SCALE 1 : 15



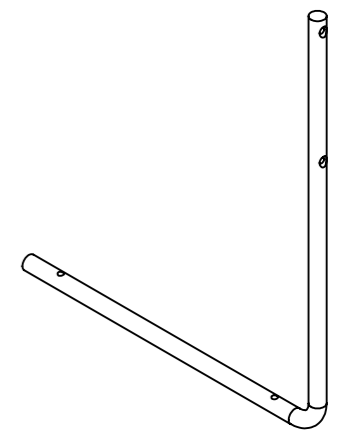
HOOK D
QTY x3



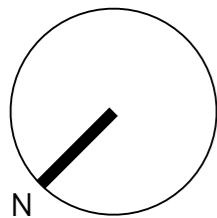
HOOK C
QTY x3



HOOK A
QTY x15



HOOK B
QTY x15



Drawing No:
VDN_026



Project:
Vanden by D'vine
Shed

All dimensions are in
millimeters. Please
report any discrepan-
cies in advance, prior
to manufacture.

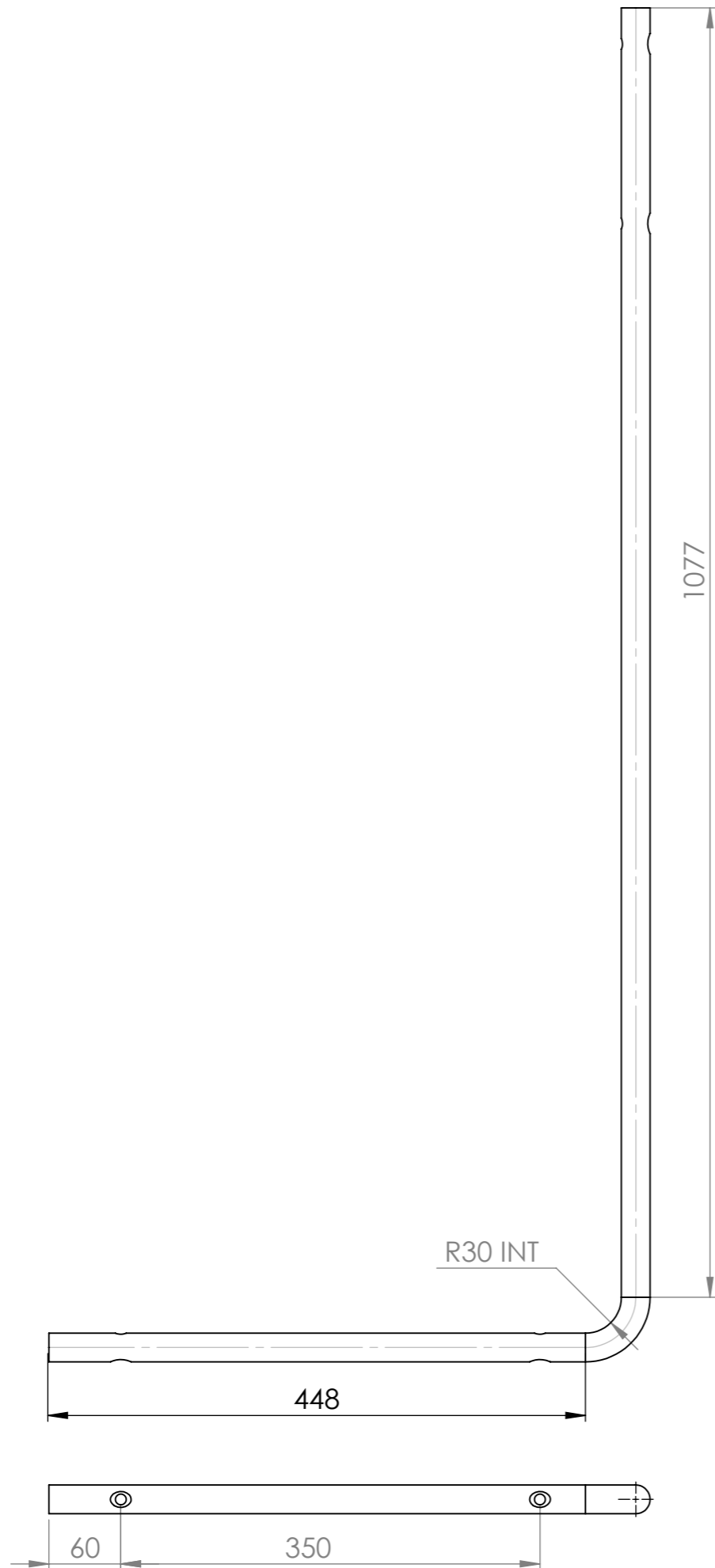
Orthographic Views:
Hook A_
Hook B_

Material
24 Rod

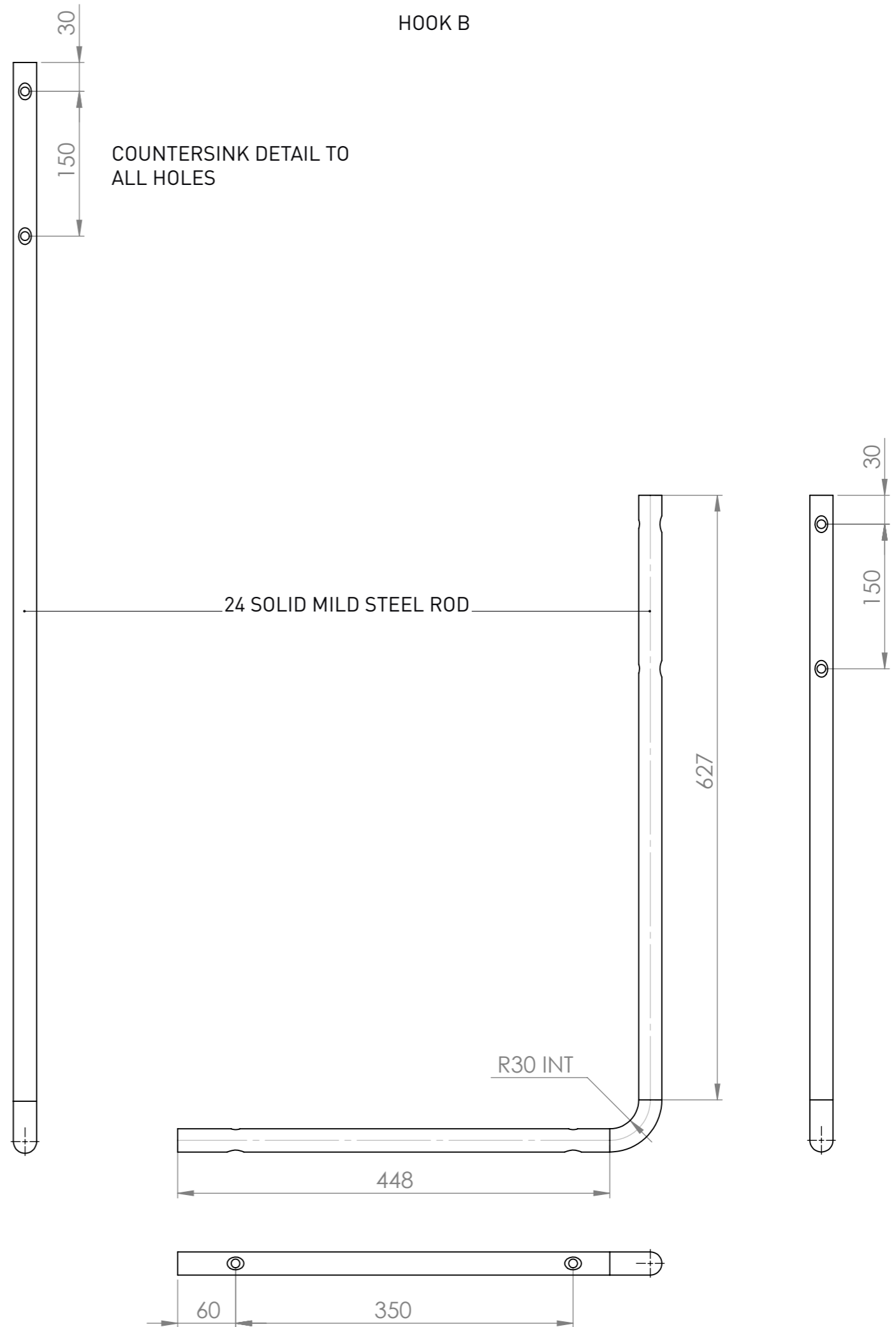
Drawing Size:
A3

Drawing No:
VDN_027

HOOK A



HOOK B





Project:
Vanden by D'vine
Shed

All dimensions are in
millimeters. Please
report any discrepan-
cies in advance, prior
to manufacture.

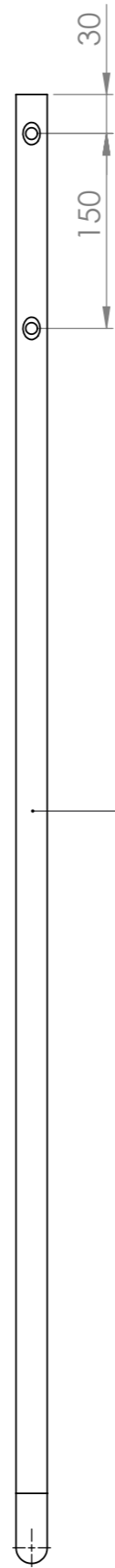
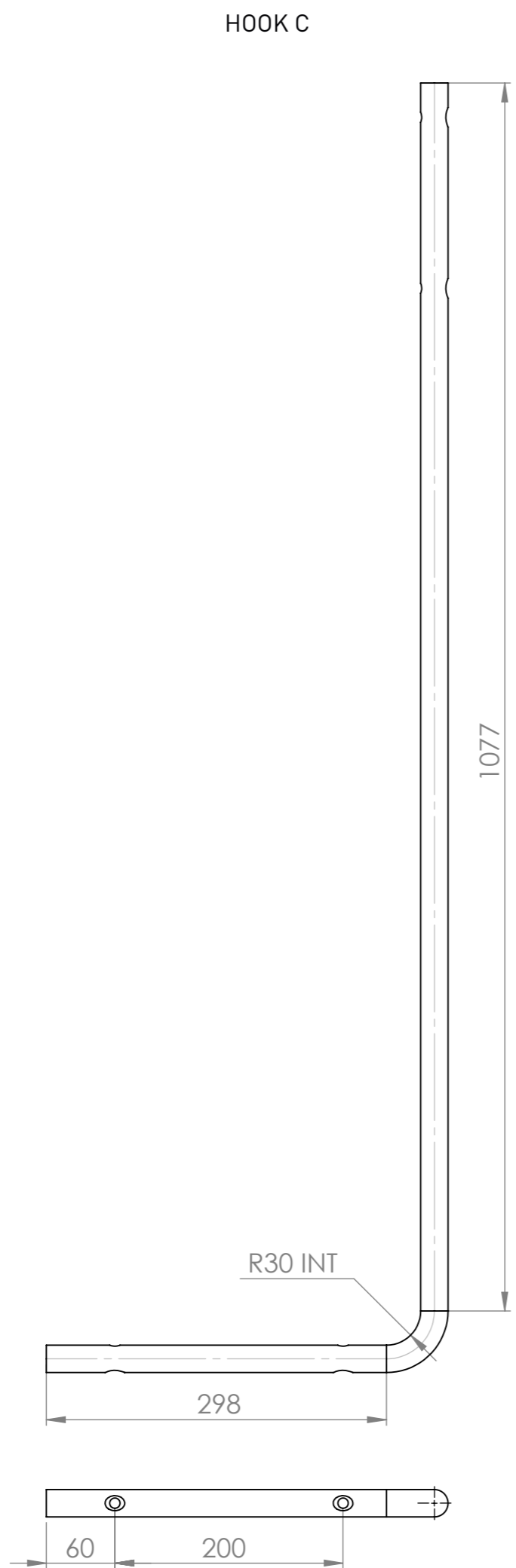
Orthographic Views:
Hook C_
Hook D_

Material
24 Rod

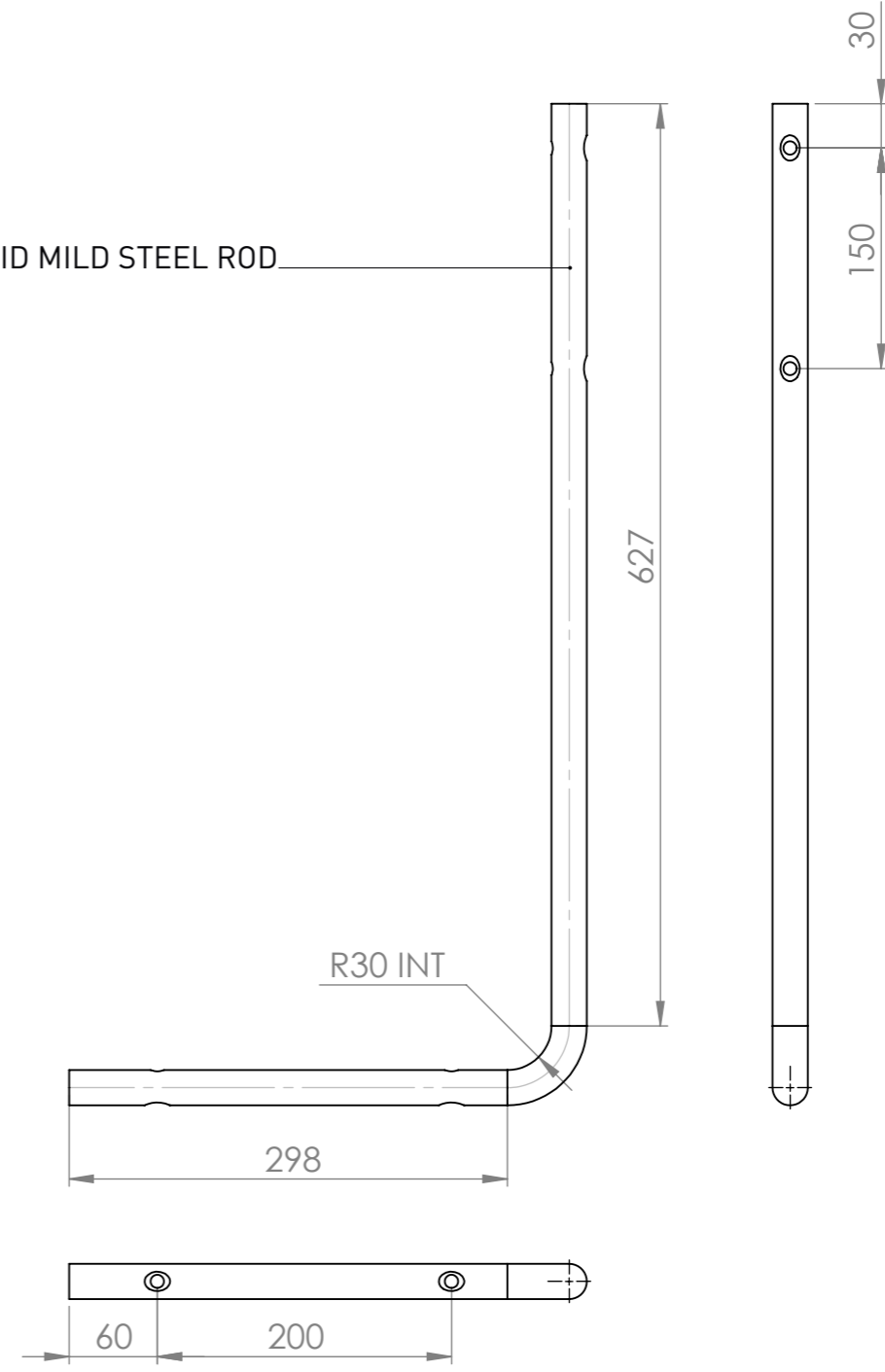
Drawing Size:
A3

Drawing No:
VDN_028

HOOK C



HOOK D



COUNTERSINK DETAIL TO
ALL HOLES

24 SOLID MILD STEEL ROD

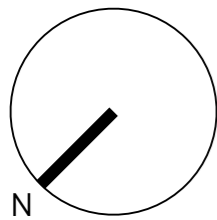
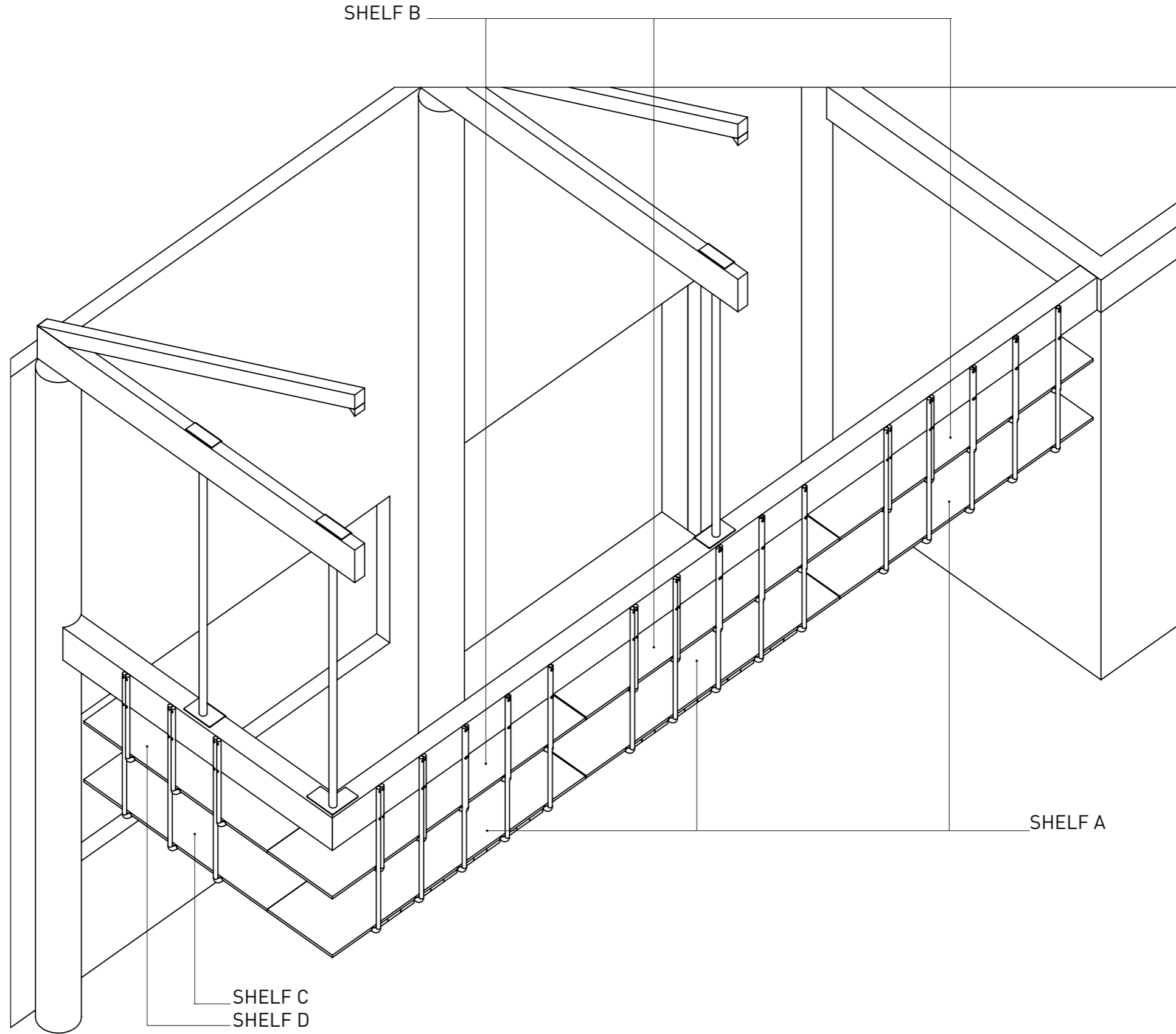


Project:
Vanden by D'vine
Shed

All dimensions are in
millimeters. Please
report any discrepan-
cies in advance, prior
to manufacture.

**Cut Away Isometric
View:**
Top Bar Shelves

Drawing Size:
A3





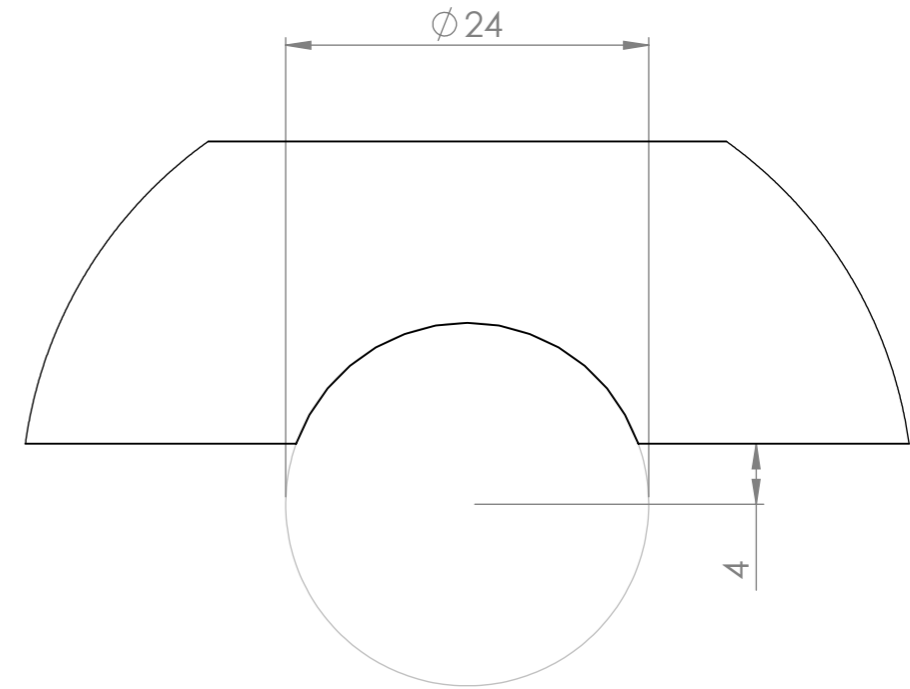
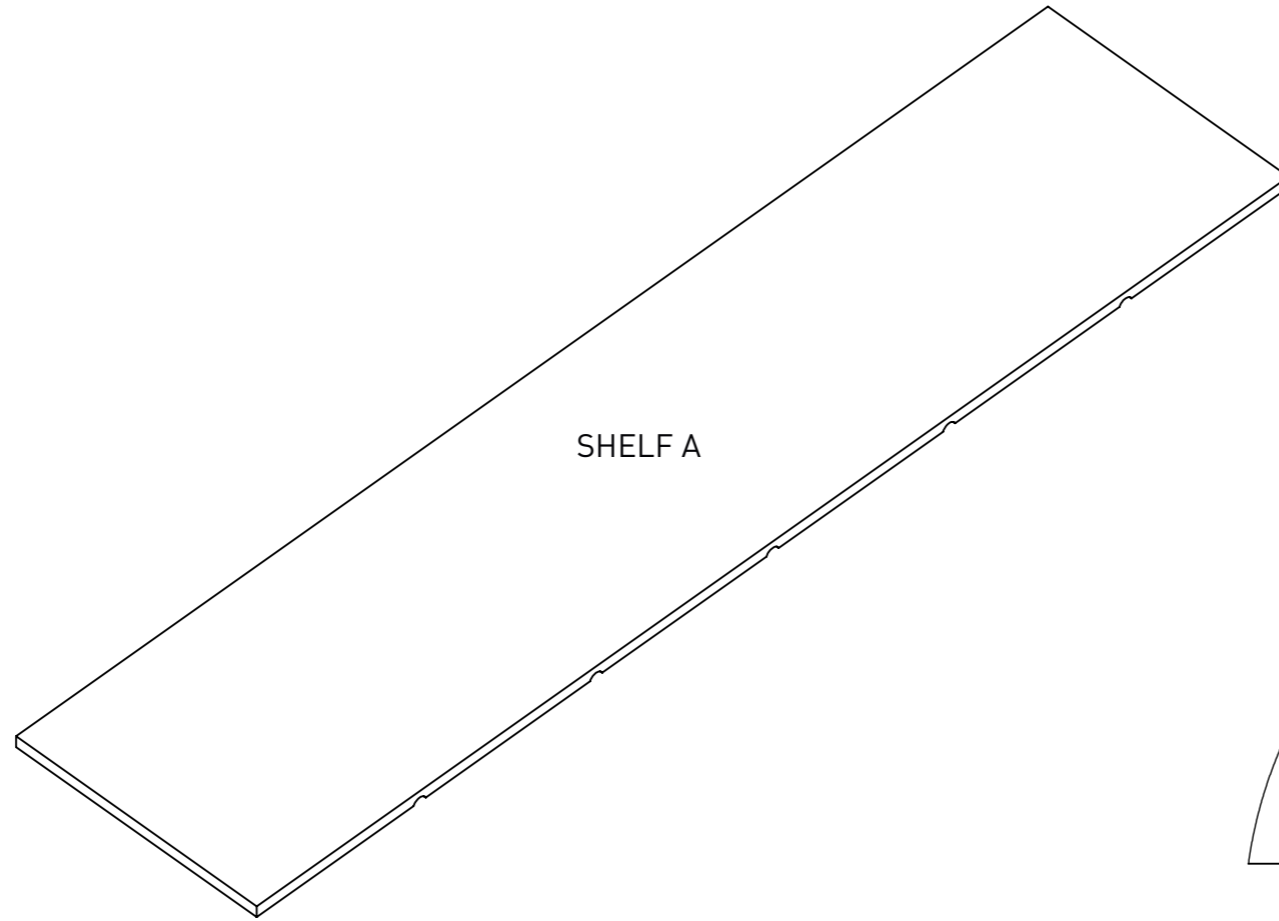
Project:
Vanden by D'vine
Shed

All dimensions are in
millimeters. Please
report any discrepan-
cies in advance, prior
to manufacture.

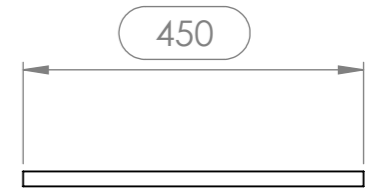
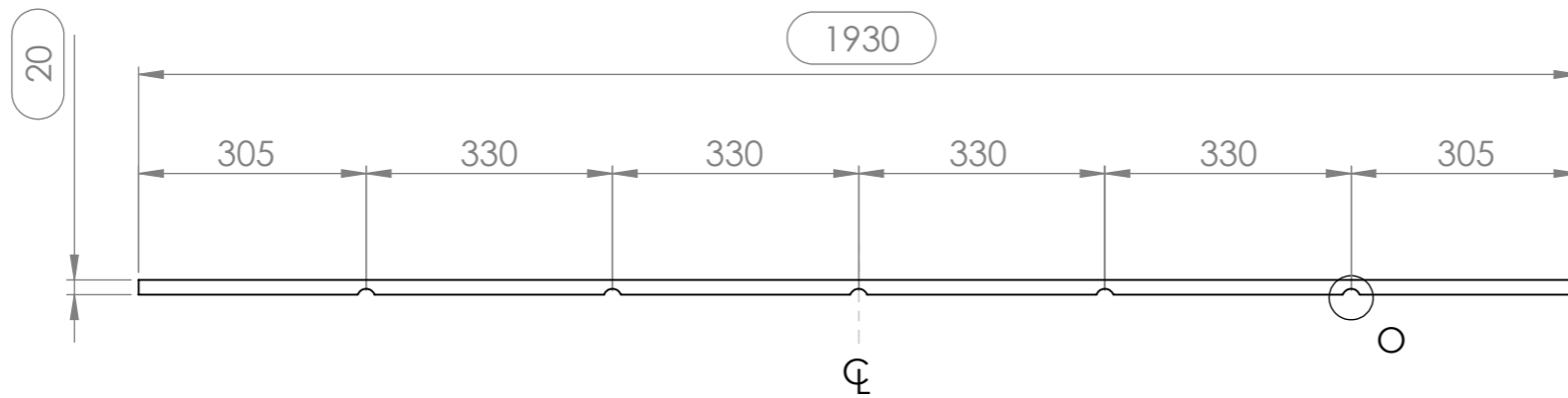
Orthographic Views:
Shelf A

Material:
Solid American Oak

Drawing Size:
A3



DETAIL O
SCALE 2 : 1





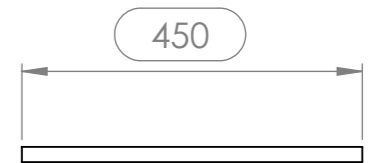
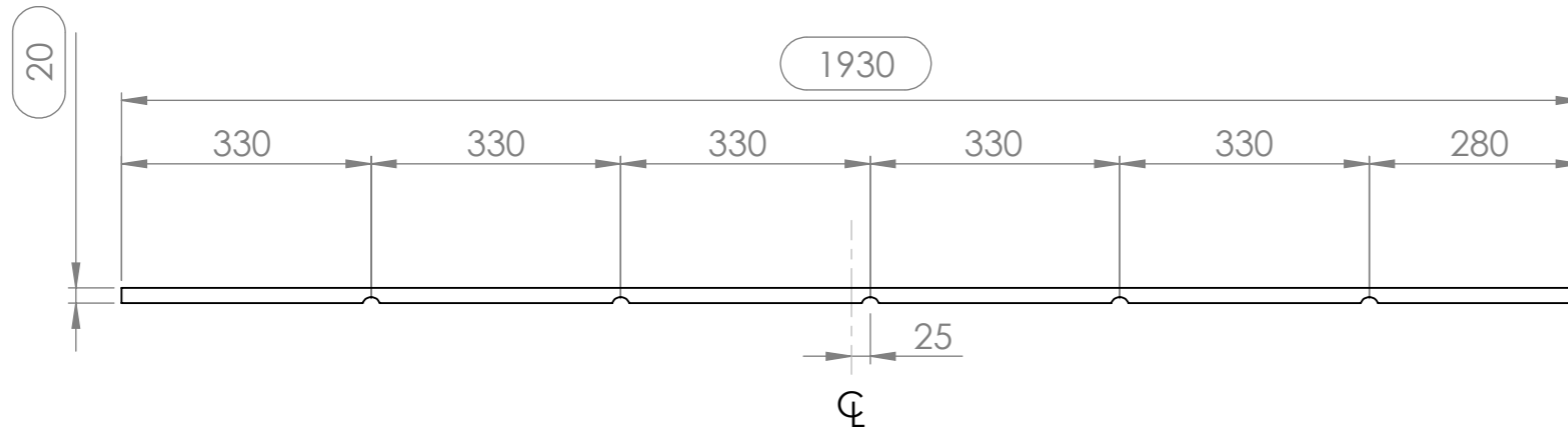
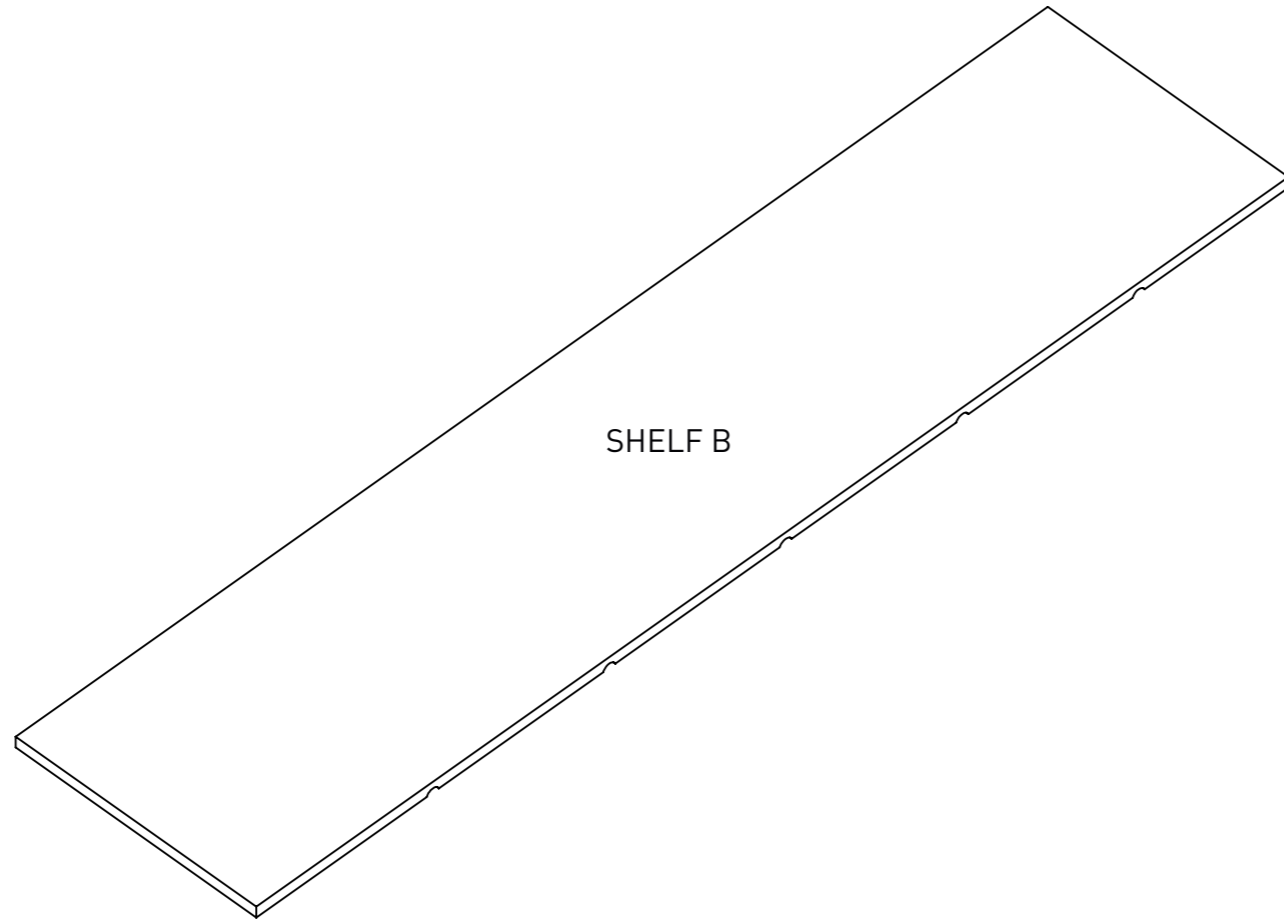
Project:
Vanden by D'vine
Shed

All dimensions are in
millimeters. Please
report any discrepan-
cies in advance, prior
to manufacture.

Orthographic Views:
Shelf B_

Material:
Solid American Oak

Drawing Size:
A3





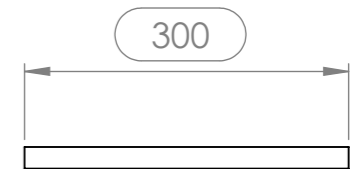
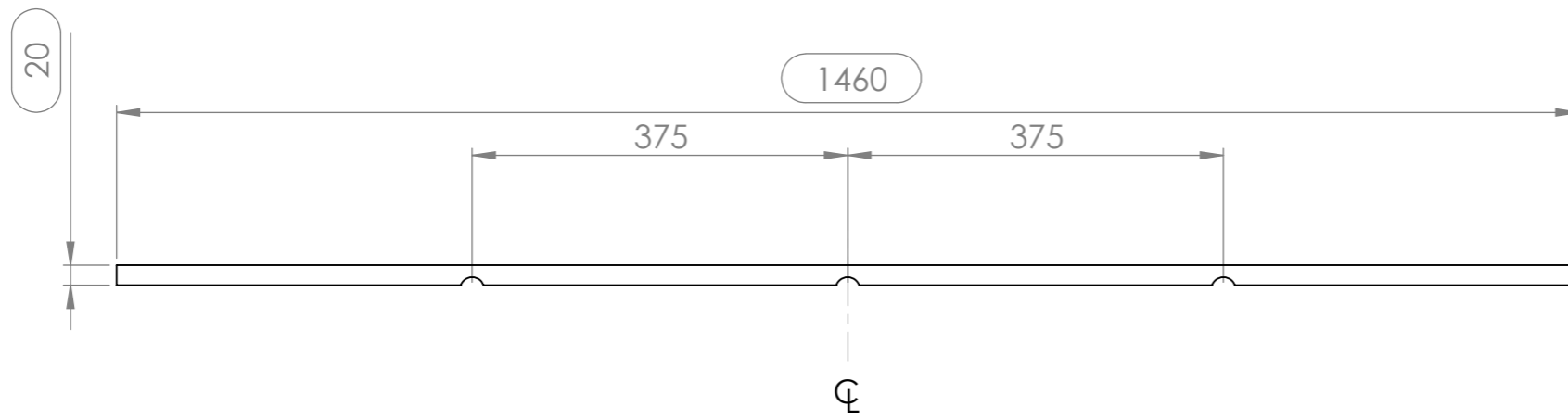
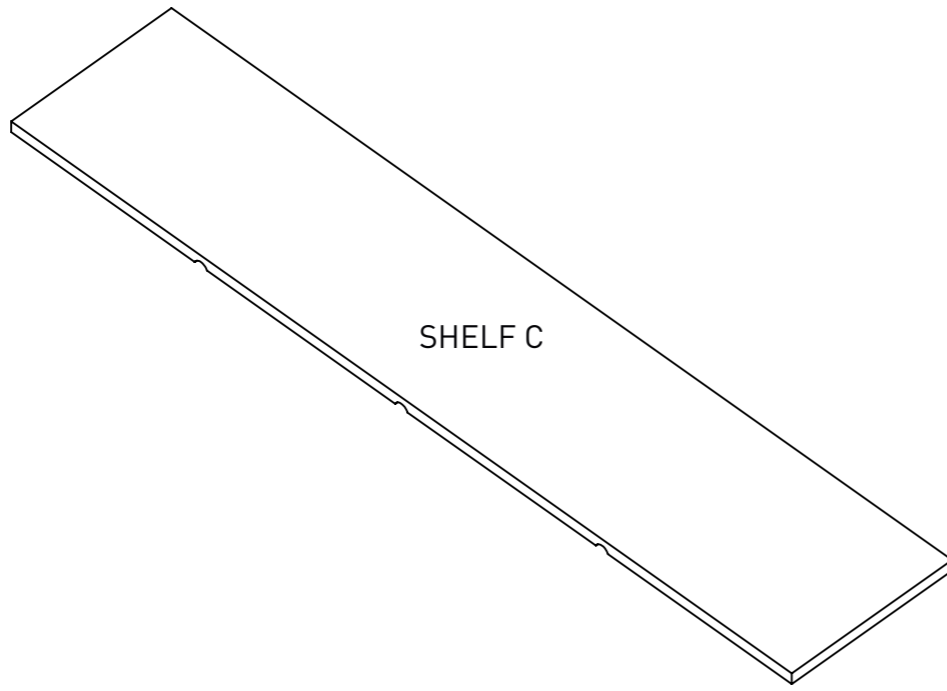
Project:
Vanden by D'vine
Shed

All dimensions are in
millimeters. Please
report any discrepan-
cies in advance, prior
to manufacture.

Orthographic Views:
Shelf C_

Material:
Solid American Oak

Drawing Size:
A3





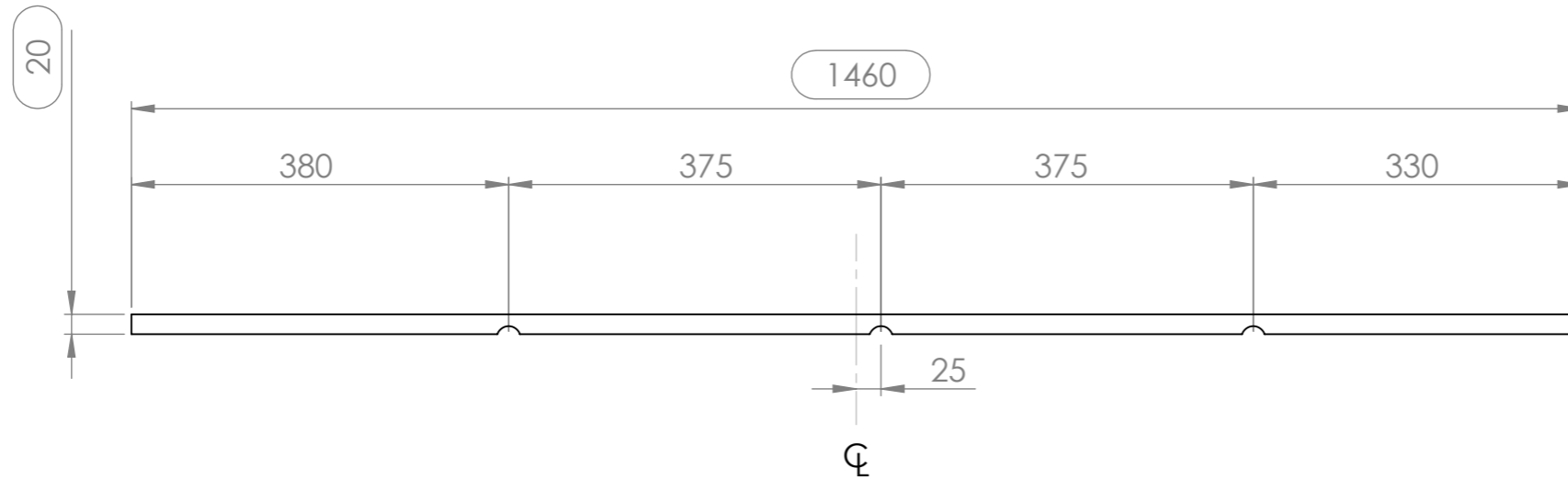
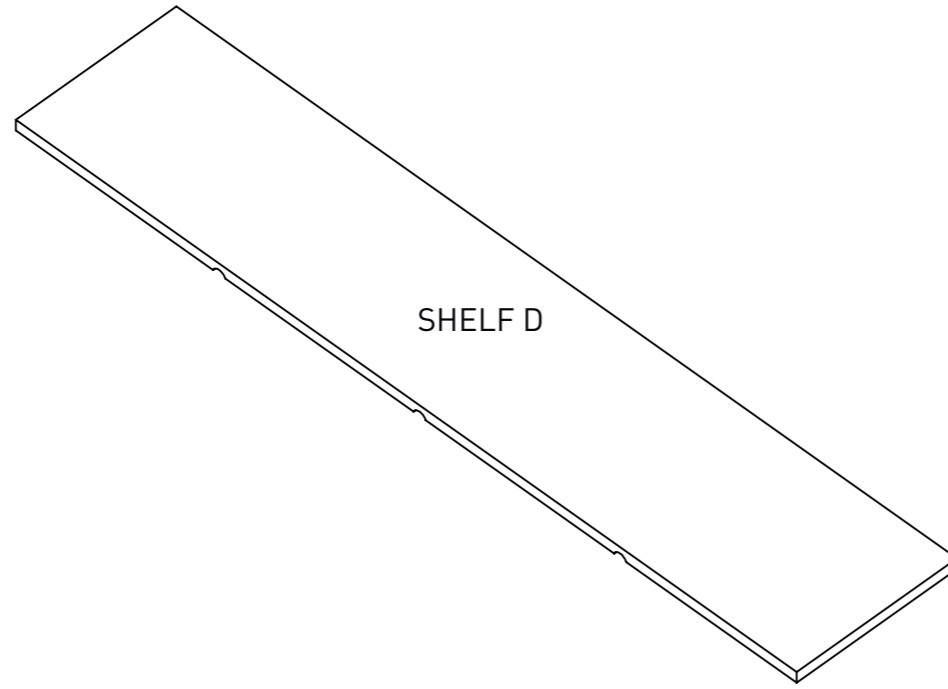
Project:
Vanden by D'vine
Shed

All dimensions are in
millimeters. Please
report any discrepan-
cies in advance, prior
to manufacture.

Orthographic Views:
Shelf D_

Material:
Solid American Oak

Drawing Size:
A3





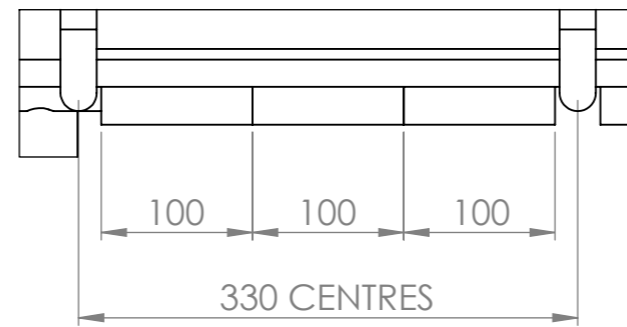
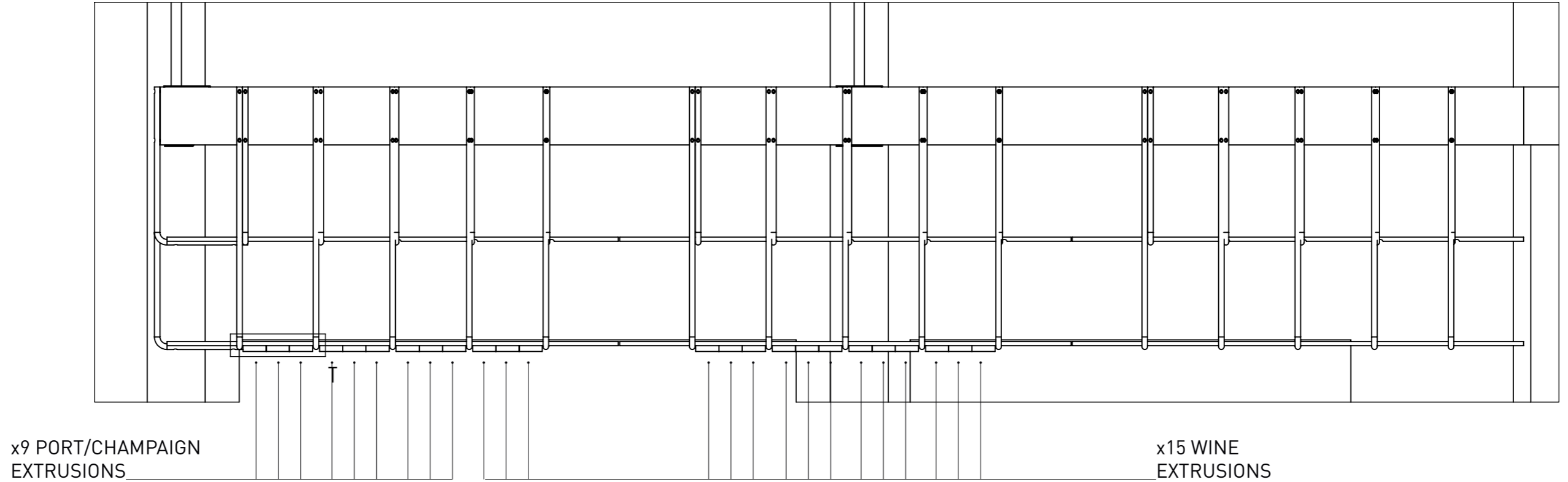
Project:
Vanden by D'vine
Shed

All dimensions are in
millimeters. Please
report any discrepan-
cies in advance, prior
to manufacture.

Orthographic Views:
Glassware Extrusion_

Material:
Aluminium Extrusion
Powder Coat Black
Satin

Drawing Size:
A3



DETAIL T



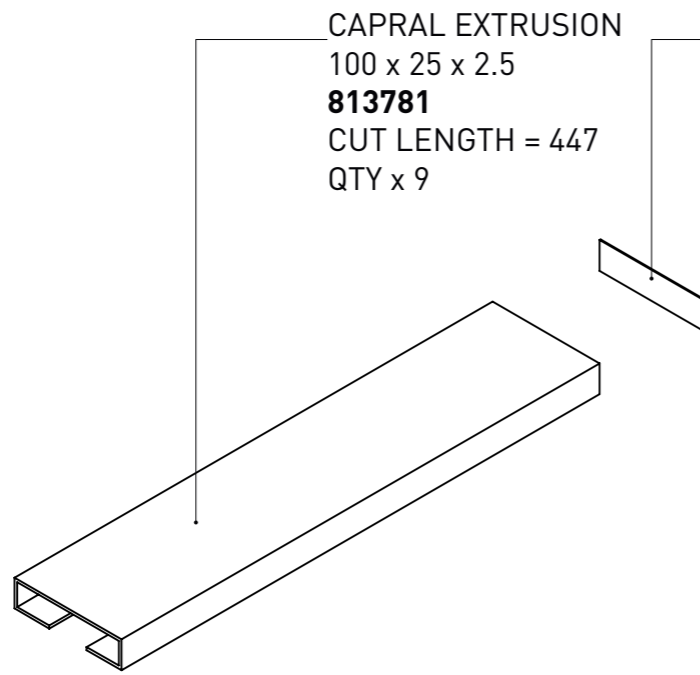
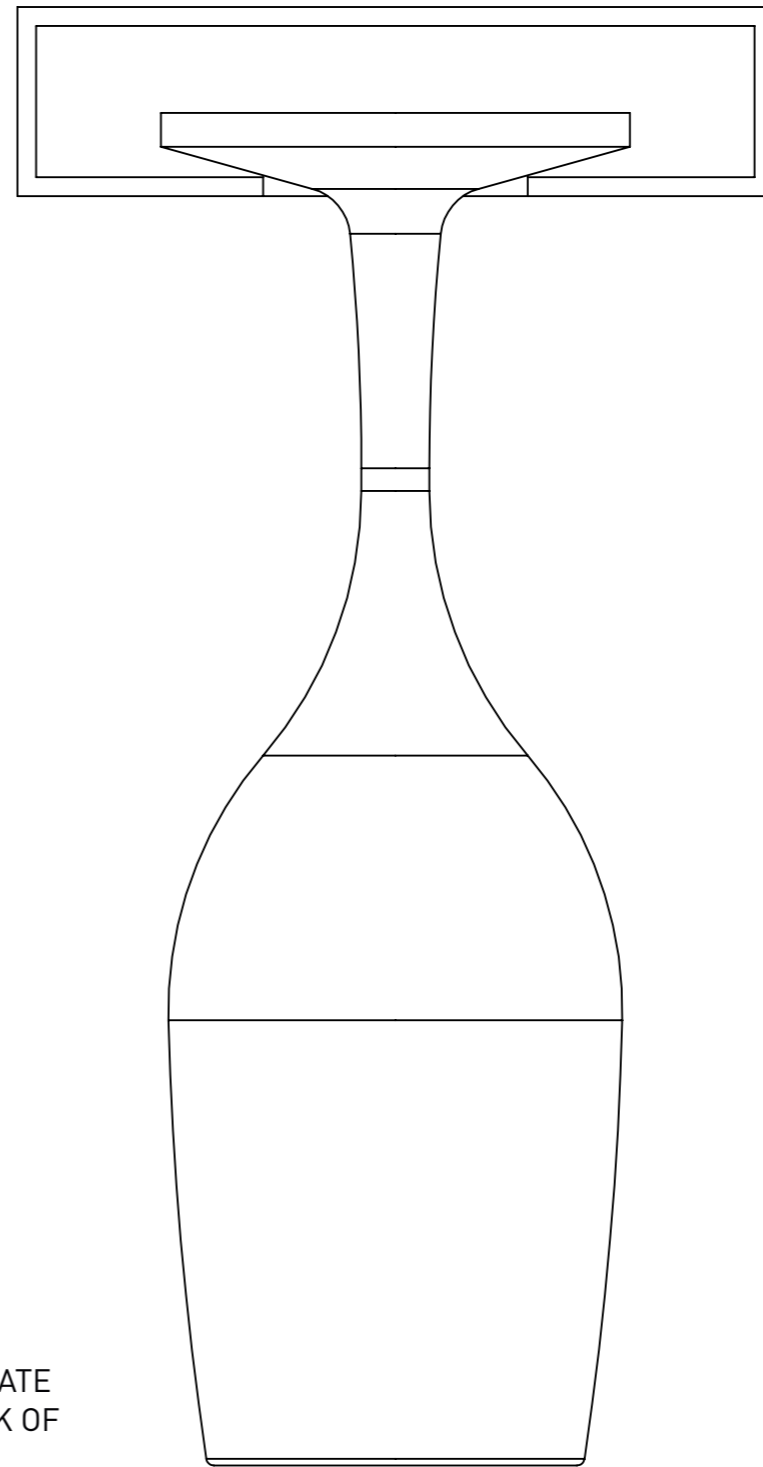
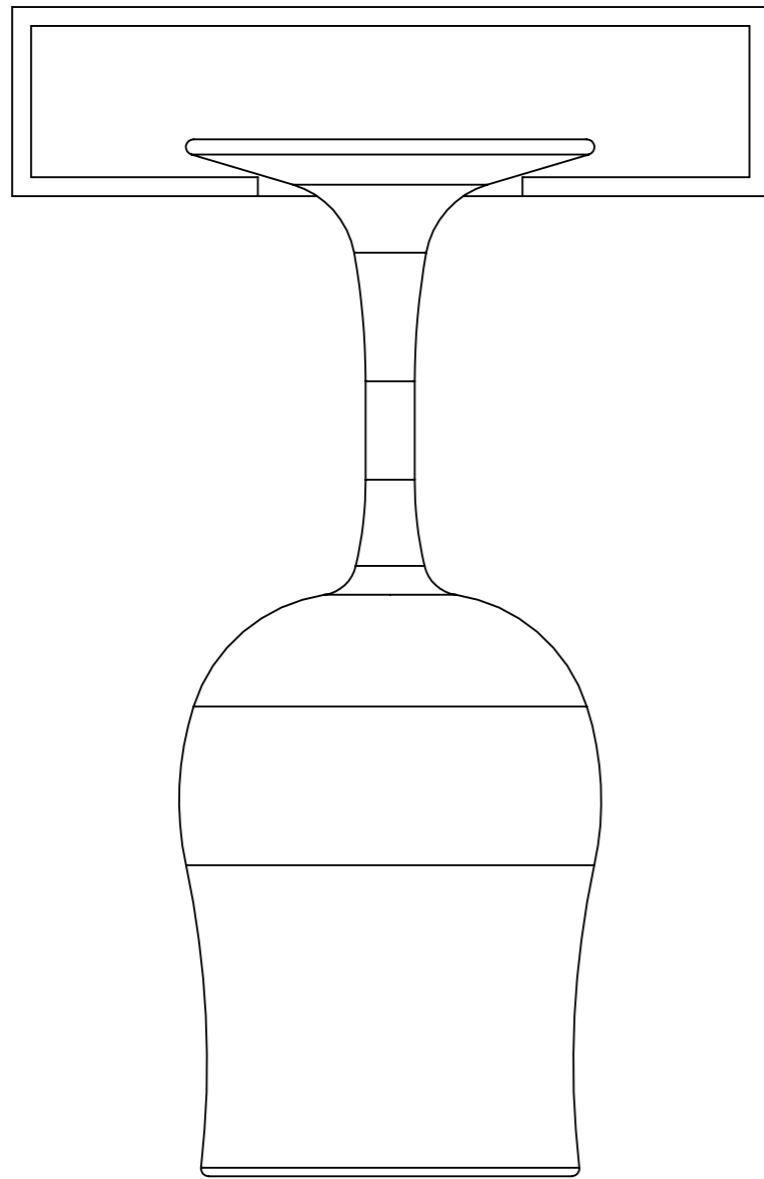
Project:
Vanden by D'vine
Shed

All dimensions are in
millimeters. Please
report any discrepan-
cies in advance, prior
to manufacture.

Orthographic Views:
Port/Champaign
Extrusion_

Material:
Aluminium Extrusion
Powder Coat Black
Satin

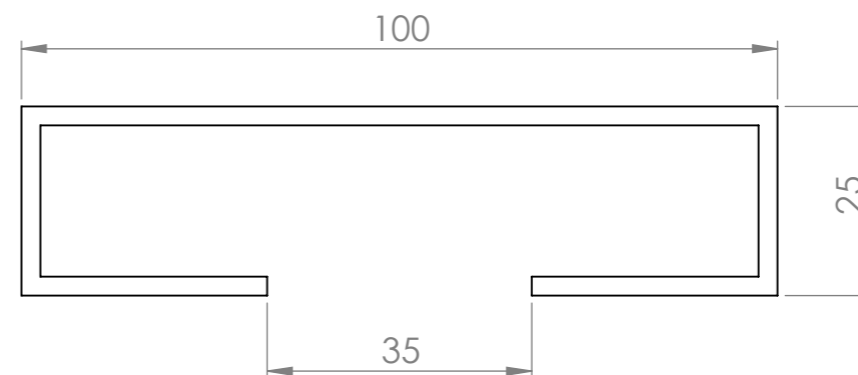
Drawing Size:
A3



CAPRAL EXTRUSION
100 x 25 x 2.5
813781
CUT LENGTH = 447
QTY x 9

1 MILD STEEL PLATE
WELDED TO BACK OF
EXTRUSION

CAPRAL EXTRUSION 100 x 25 x 2.5 813781
QTY x9



(NEEDS TO BE ROUTED OUT OF THE STANDARD
EXTRUSION)



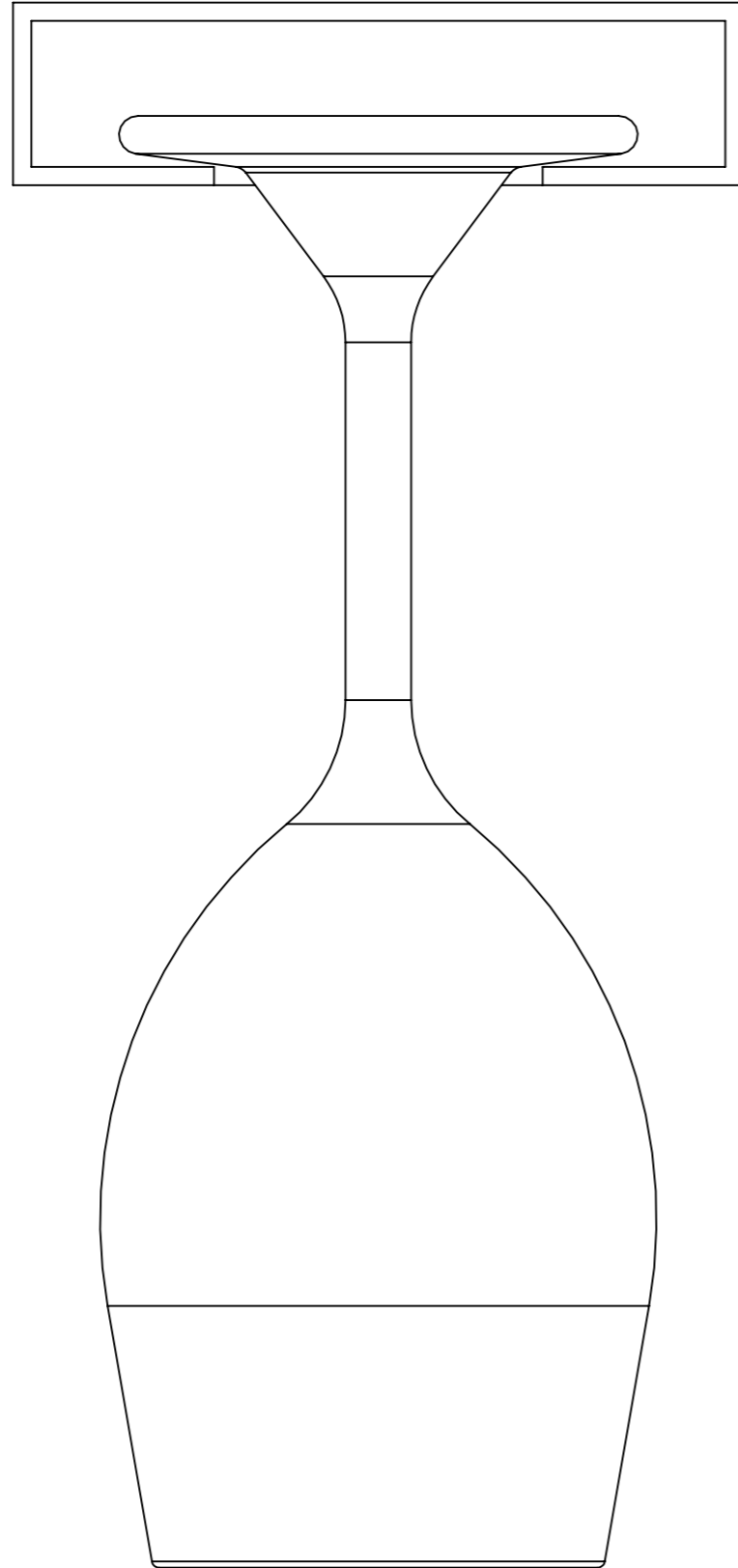
Project:
Vanden by D'vine
Shed

All dimensions are in millimeters. Please report any discrepancies in advance, prior to manufacture.

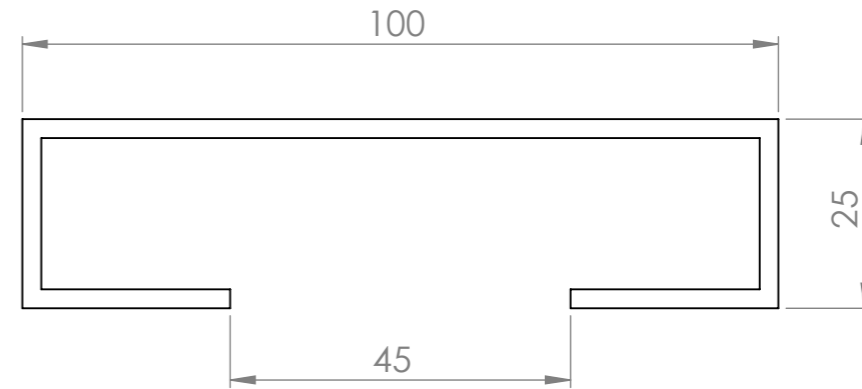
Orthographic Views:
Wine Extrusion

Material:
Aluminium Extrusion
Powder Coat Black
Satin

Drawing Size:
A3



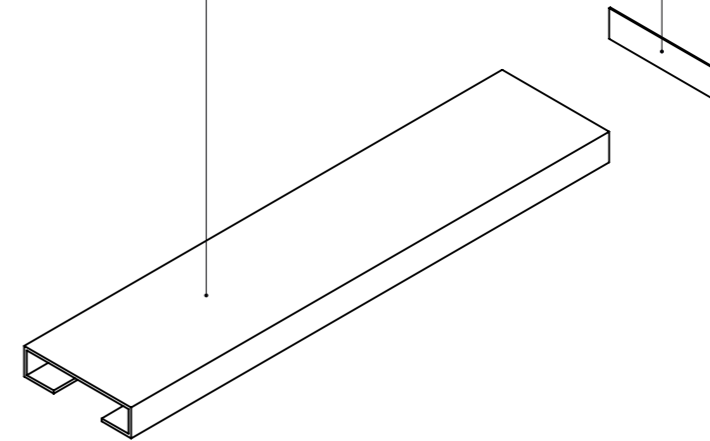
CAPRAL EXTRUSION 100 x 25 x 2.5 813781
QTY x15



(NEEDS TO BE ROUTED OUT OF THE STANDARD EXTRUSION)

CAPRAL EXTRUSION
100 x 25 x 2.5
813781
CUT LENGTH = 447
QTY x 15

1 MILD STEEL PLATE
WELDED TO BACK OF
EXTRUSION





Project:
Vanden by D'vine
Shed

Base Bar Details

Drawing No:
VDN_037

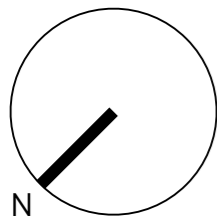
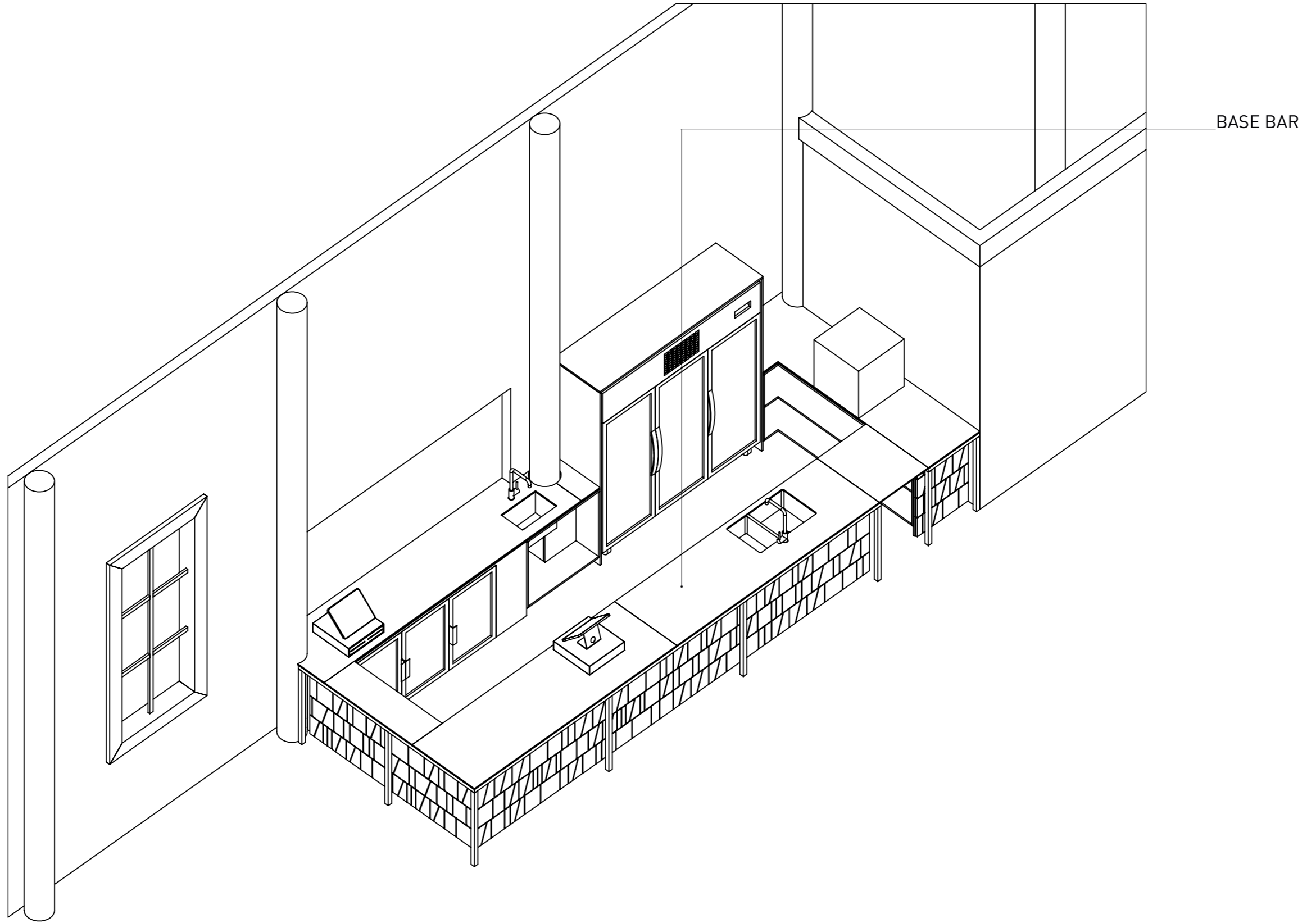


Project:
Vanden by D'vine
Shed

All dimensions are in
millimeters. Please
report any discrepan-
cies in advance, prior
to manufacture.

**Cut Away Isometric
View:**
Base Bar

Drawing Size:
A3



Drawing No:
VDN_038



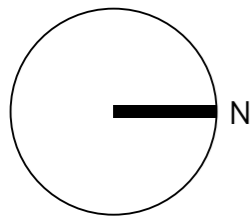
Project:
Vanden by D'vine
Shed

All dimensions are in
millimeters. Please
report any discrepan-
cies in advance, prior
to manufacture.

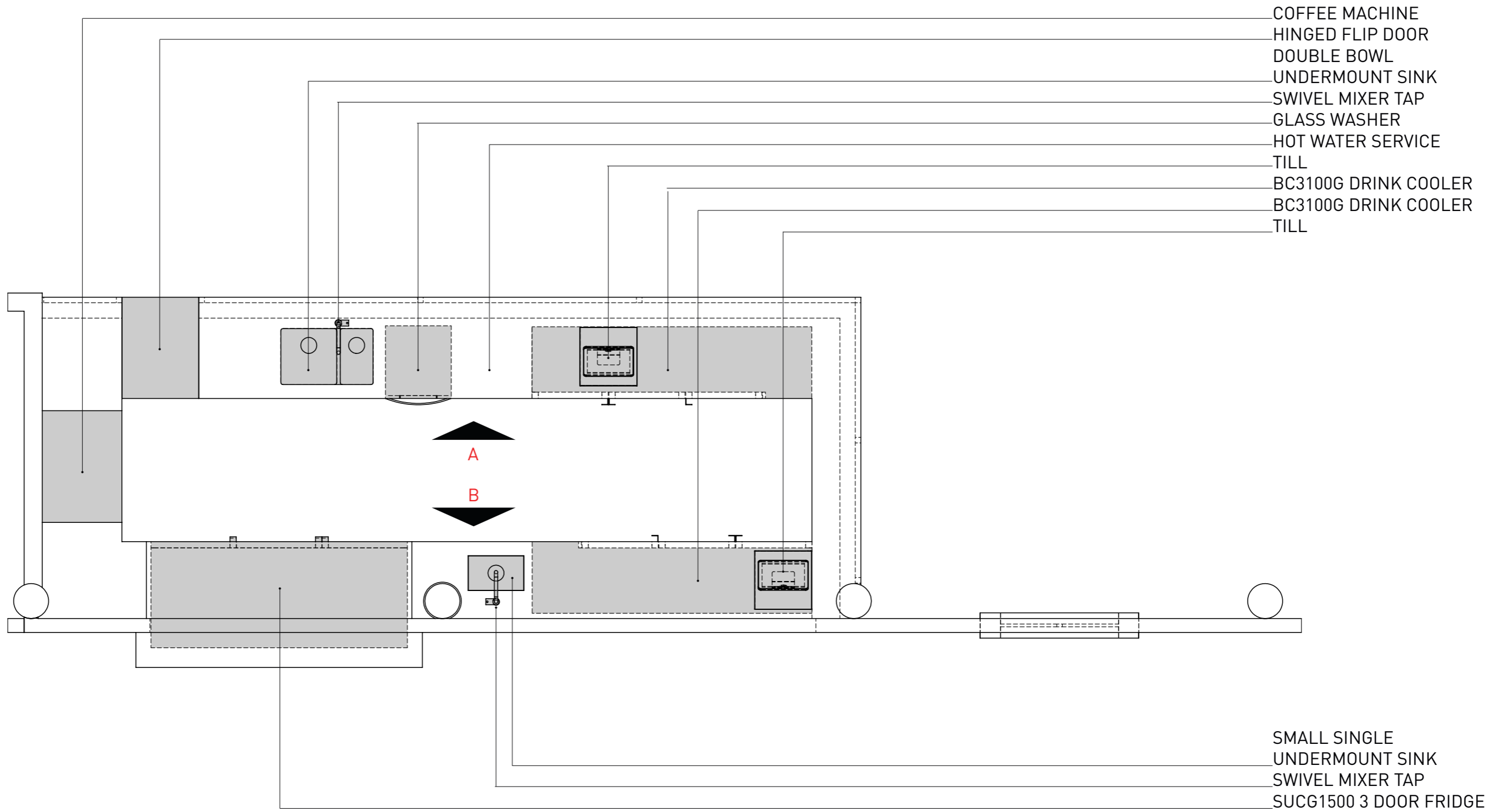
Top View:
Placement of Utilities

Drawing Size:
A3

Drawing Scale:
1:30



Drawing No:
VDN_039



- COFFEE MACHINE
- HINGED FLIP DOOR
- DOUBLE BOWL UNDERMOUNT SINK
- SWIVEL MIXER TAP
- GLASS WASHER
- HOT WATER SERVICE
- TILL
- BC3100G DRINK COOLER
- BC3100G DRINK COOLER
- TILL

- SMALL SINGLE UNDERMOUNT SINK
- SWIVEL MIXER TAP
- SUCG1500 3 DOOR FRIDGE



Project:
Vanden by D'vine
Shed

All dimensions are in
millimeters. Please
report any discrepan-
cies in advance, prior
to manufacture.

Selections:
Sinks & Mixer Tap

Drawing Size:
A3



MY HOMEWARE
710 x 450 x 205MM 1.2MM DARK GREY
STAINLESS STEEL HANDMADE DOUBLE
BOWLS TOP/UNDERMOUNT KITCHEN SINK
\$449.00 + GST
TRADE: \$TBA



MY DEAL
NOTE: NEEDS TO BE ANODISED MATTE
BLACK
CEFITO 450 x 300MM STAINLESS STEEL SINK
\$259.95 + GST
TRADE \$97.95 + GST



MY HOMEWARE
ROUND MATT BLACK 360° SWIVEL KITCH-
EN SINK MIXER TAP GOOSENECK SPOUT
\$180.00 + GST
TRADE: \$139.00 + GST

Drawing No:

VDN_040



Project:
Vanden by D'vine
Shed

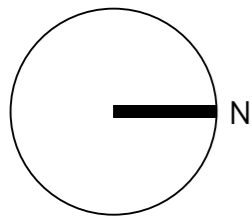
All dimensions are in
millimeters. Please
report any discrepan-
cies in advance, prior
to manufacture.

Western Elevation:
Elevation A_

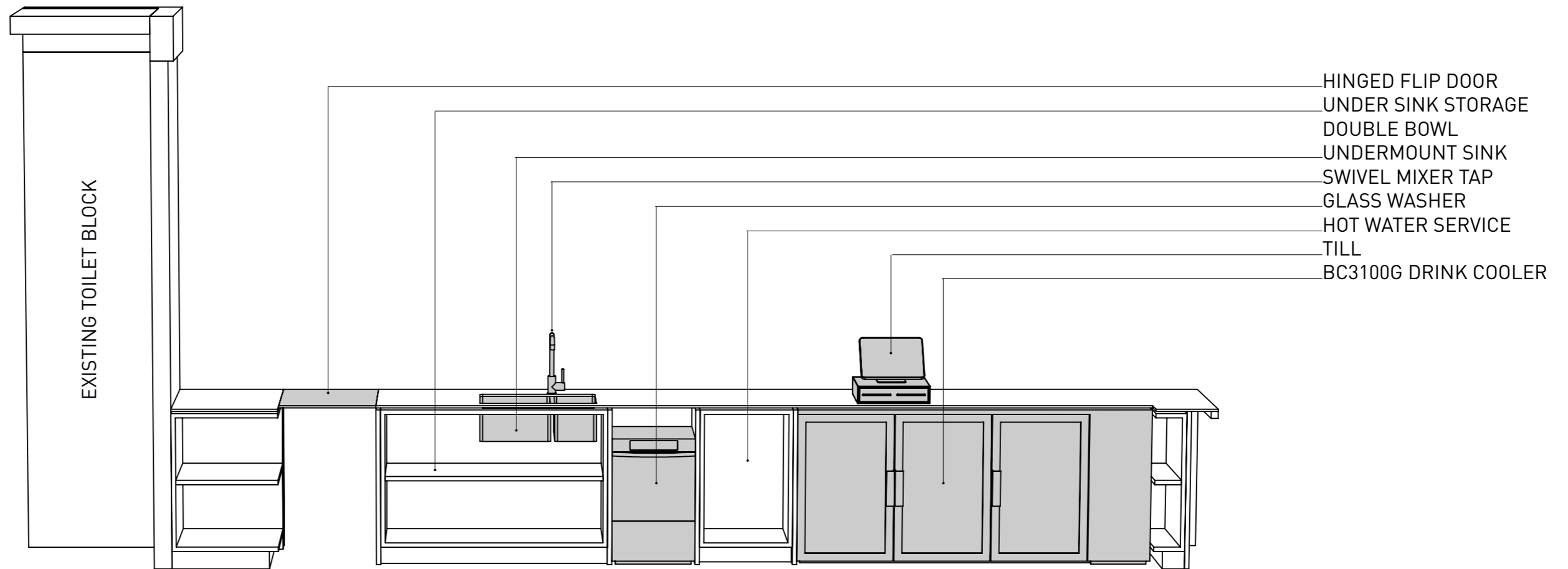
Drawing Size:
A3

Drawing Scale:
1:25

0 500mm



Drawing No:
VDN_041





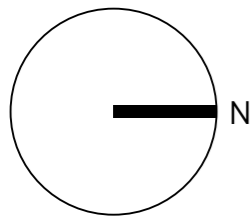
Project:
Vanden by D'vine
Shed

All dimensions are in
millimeters. Please
report any discrepan-
cies in advance, prior
to manufacture.

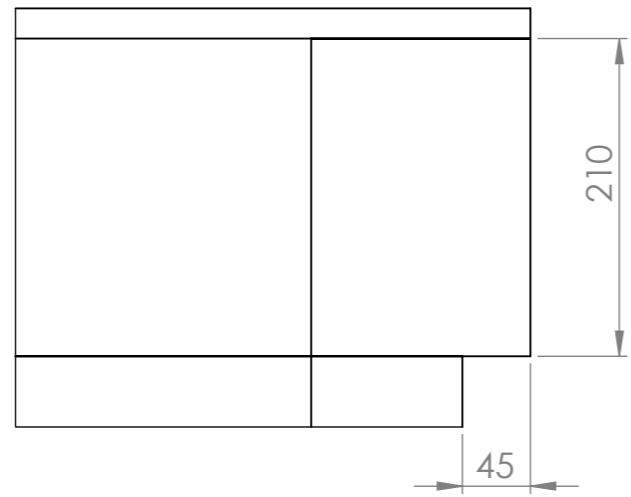
Western Elevation:
Elevation A_

Drawing Size:
A3

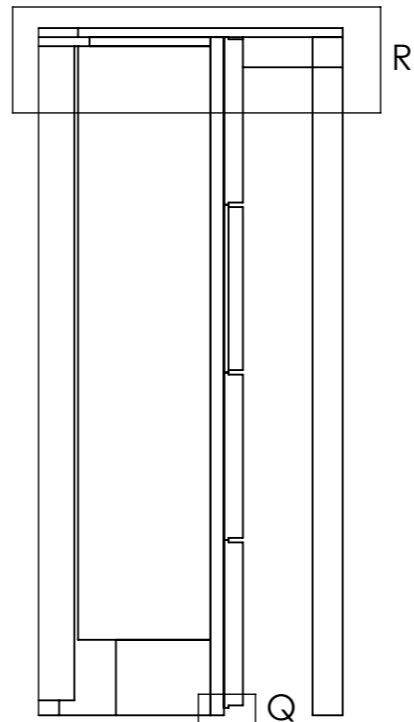
Drawing Scale:
1:25



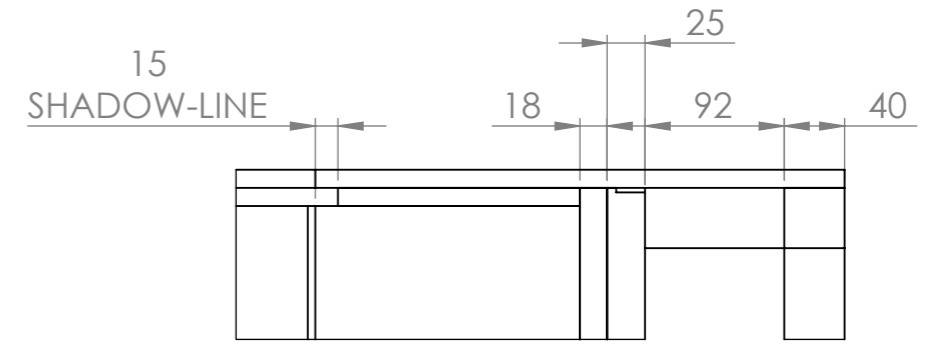
Drawing No:
VDN_042



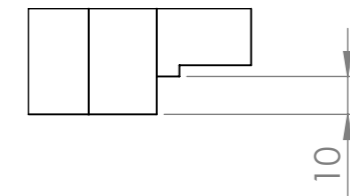
DETAIL S
SCALE 1 : 5



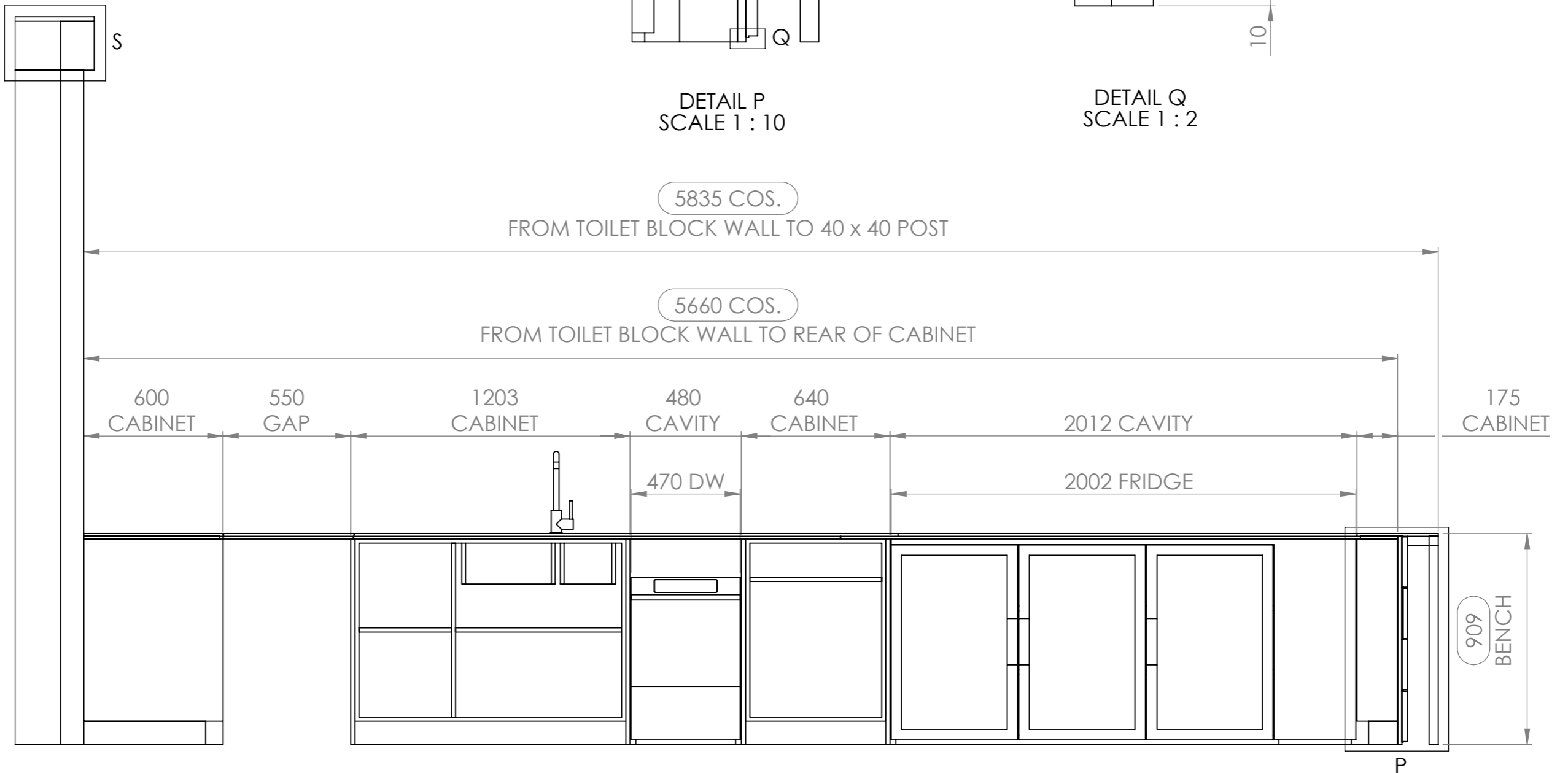
DETAIL P
SCALE 1 : 10



DETAIL R
SCALE 1 : 5



DETAIL Q
SCALE 1 : 2





Project:
Vanden by D'vine
Shed

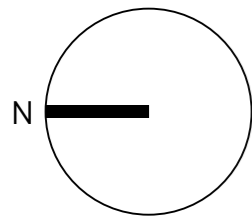
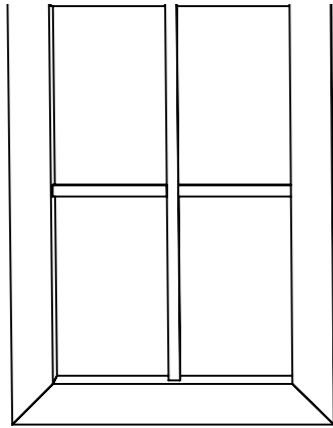
All dimensions are in millimeters. Please report any discrepancies in advance, prior to manufacture.

Eastern Elevation:
Elevation B_

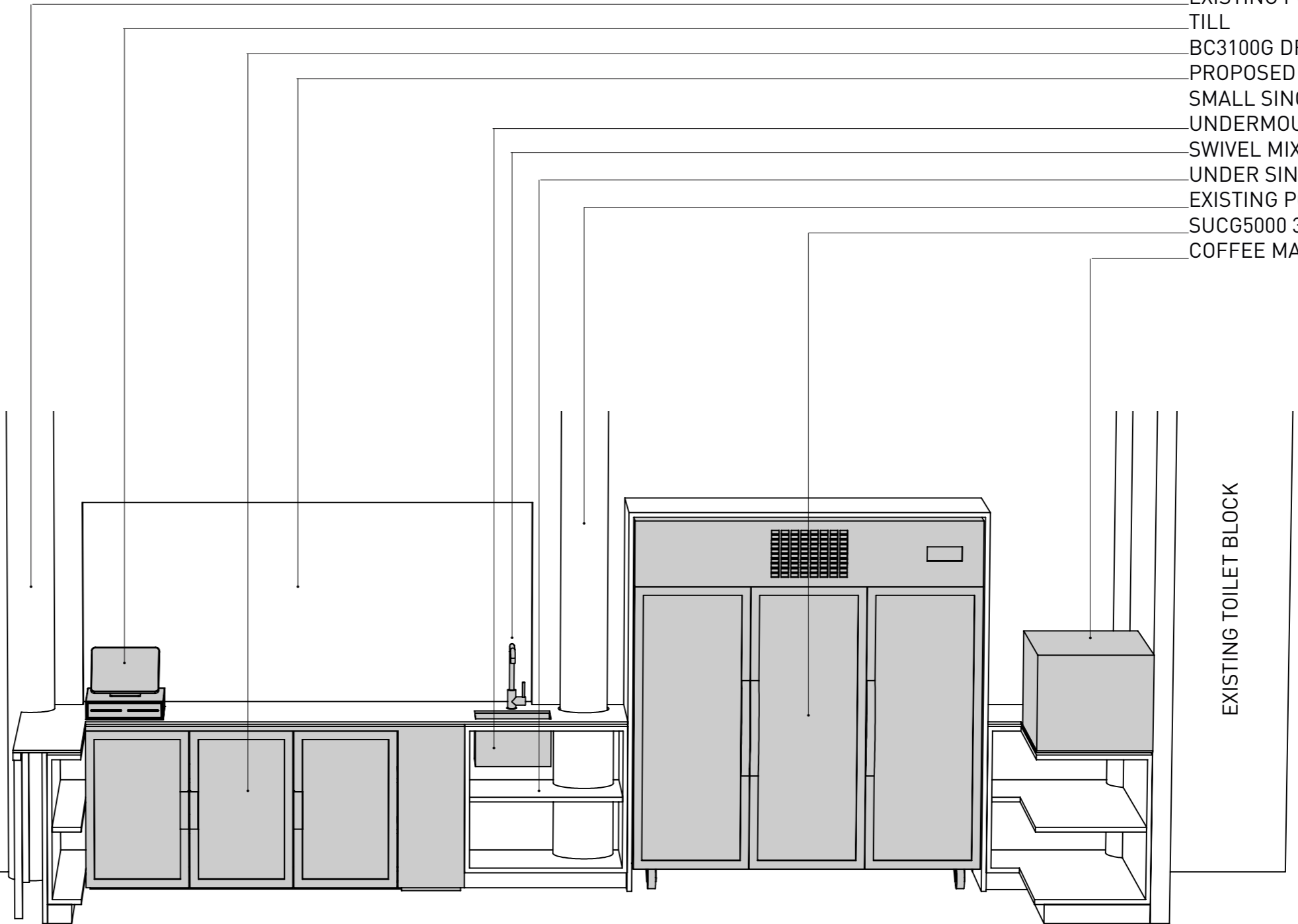
Drawing Size:
A3

Drawing Scale:
1:25

0 500mm



- EXISTING POST
- TILL
- BC3100G DRINK COOLER
- PROPOSED SURVERY
- SMALL SINGLE UNDERMOUNT SINK
- SWIVEL MIXER TAP
- UNDER SINK STORAGE
- EXISTING POST
- SUCG5000 3 DOOR FRIDGE
- COFFEE MACHINE



EXISTING TOILET BLOCK



Project:
Vanden by D'vine
Shed

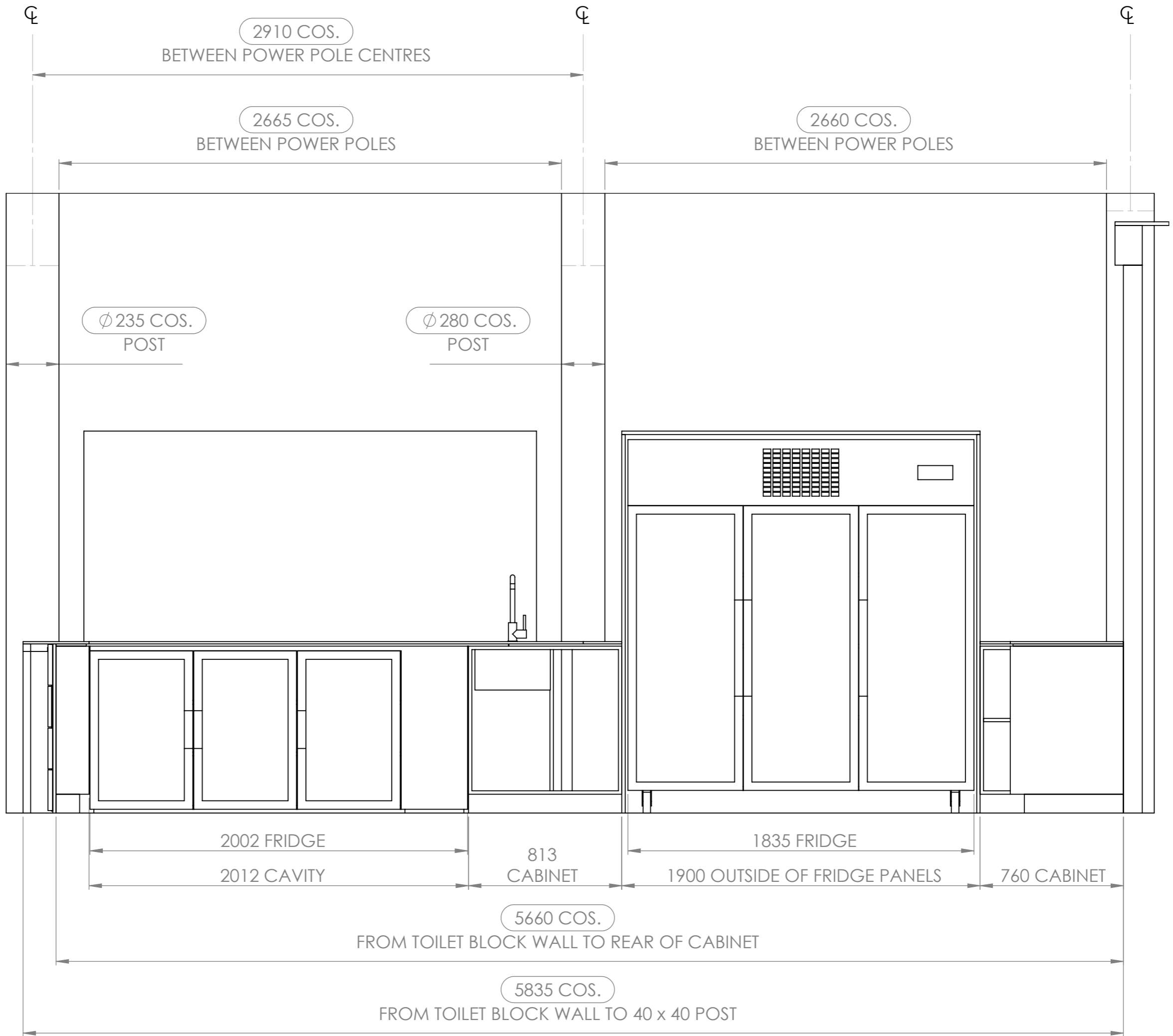
All dimensions are in
millimeters. Please
report any discrepan-
cies in advance, prior
to manufacture.

Detail View:
B-B

Drawing Size:
A3

Drawing Scale:
1:25

Drawing No:
VDN_044





Project:
Vanden by D'vine
Shed

Base Bar Details - Joinery

Drawing No:
VDN_045



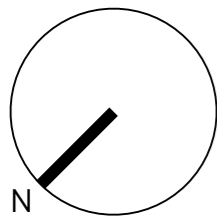
Project:
Vanden by D'vine
Shed

All dimensions are in millimeters. Please report any discrepancies in advance, prior to manufacture.

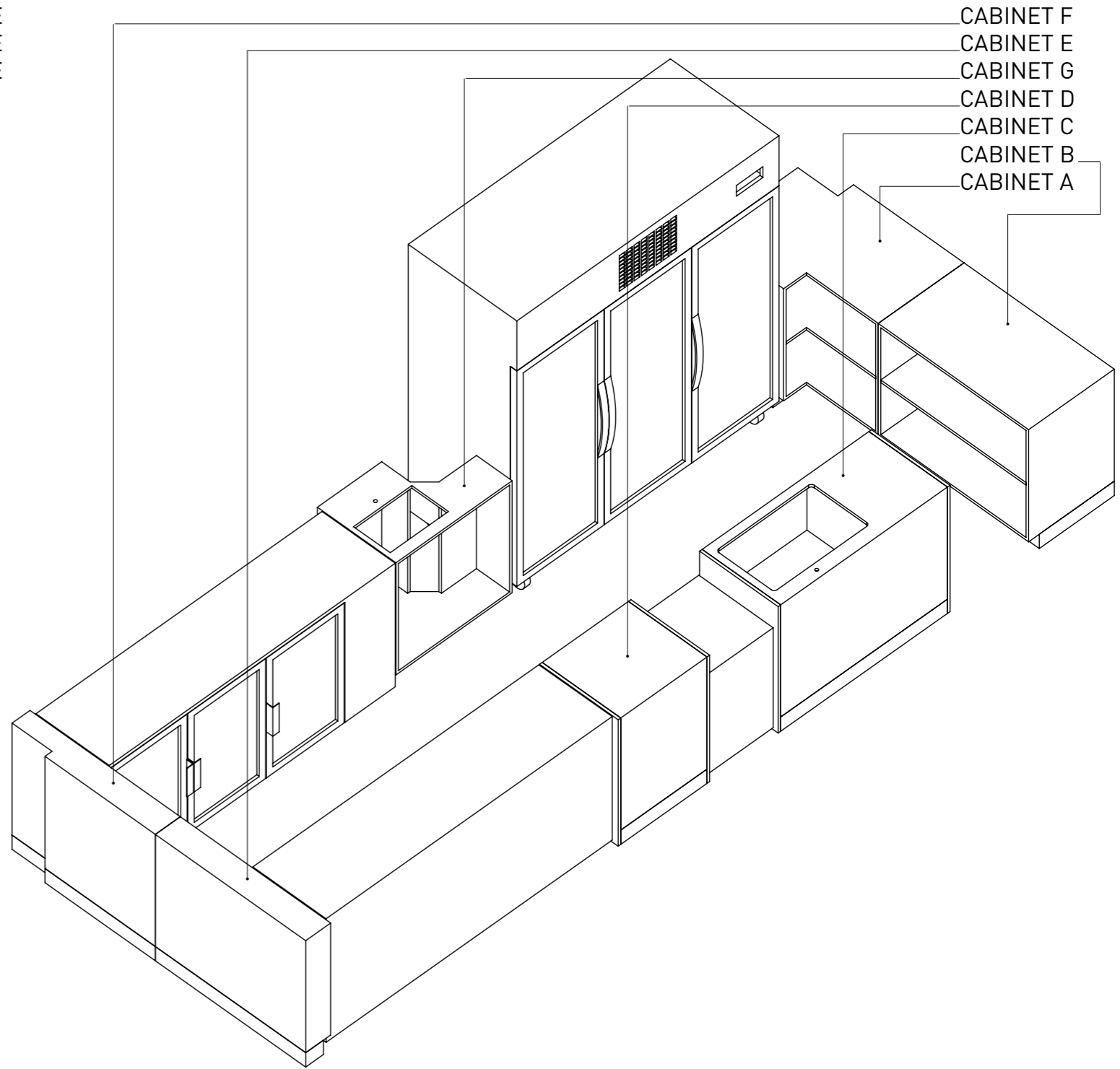
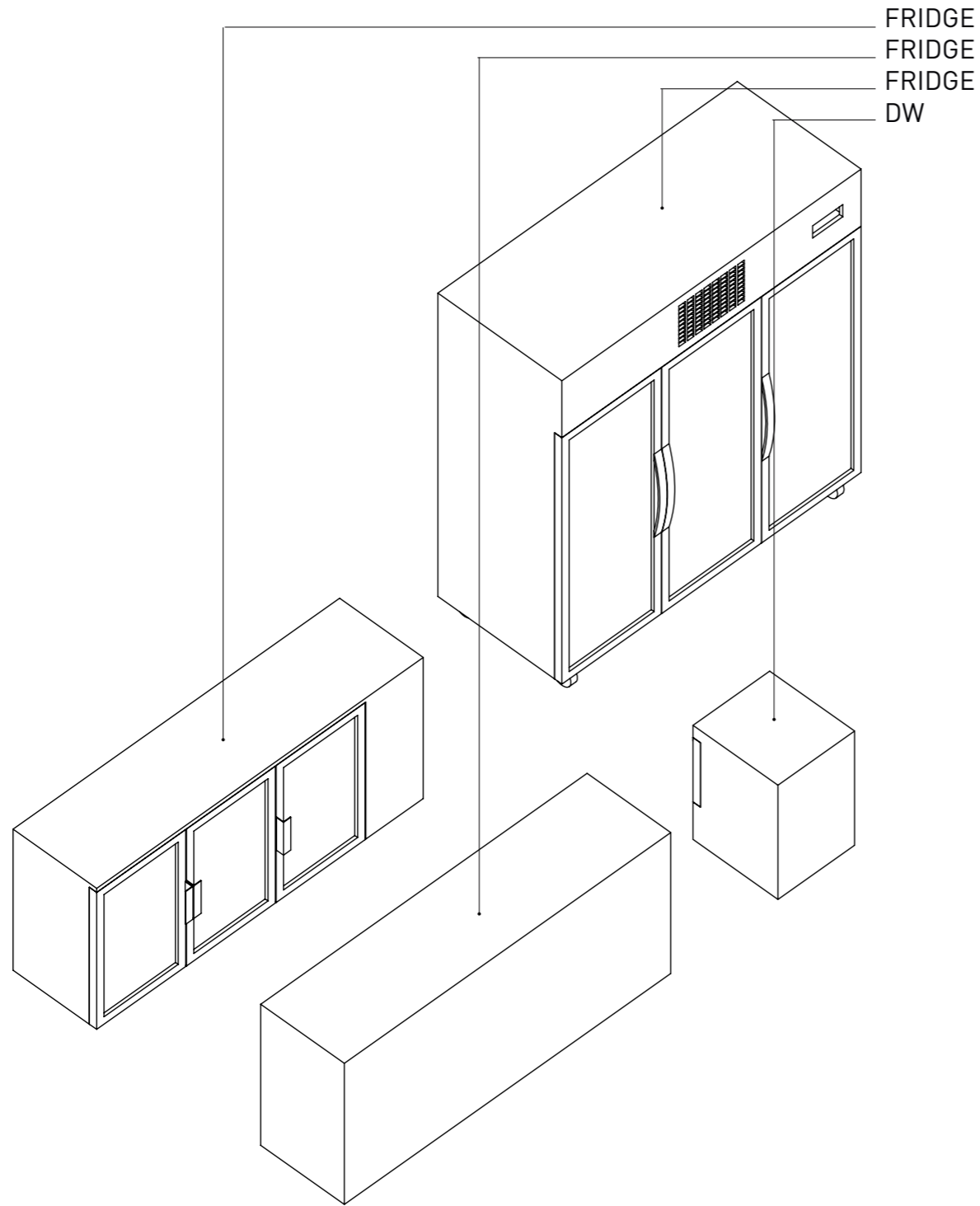
Isometric View:
Bar Construction
~Fridges & DW
~Cabinets

Drawing Size:
A3

Drawing Scale:
1:25



Drawing No:
VDN_046





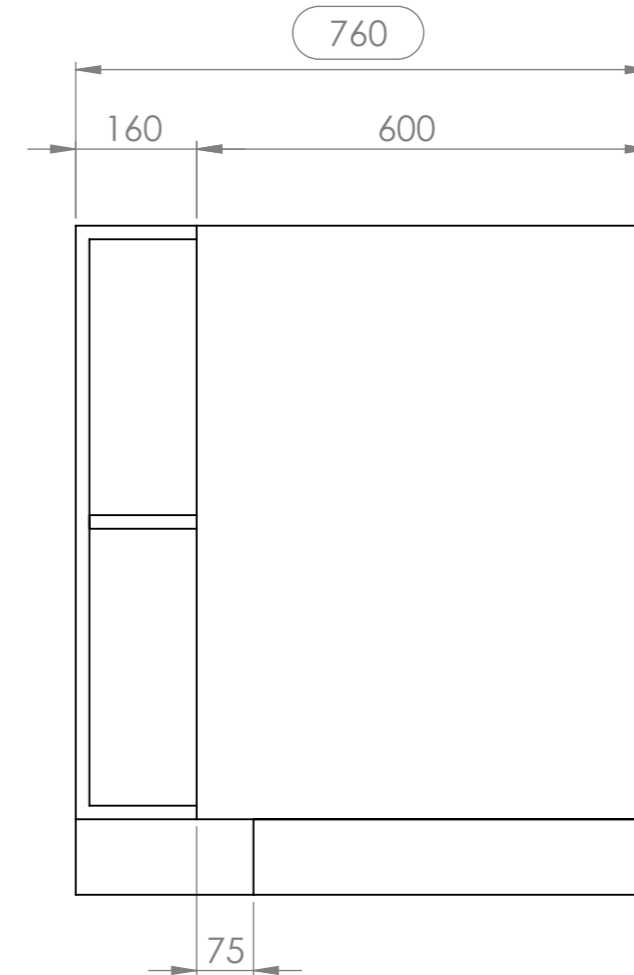
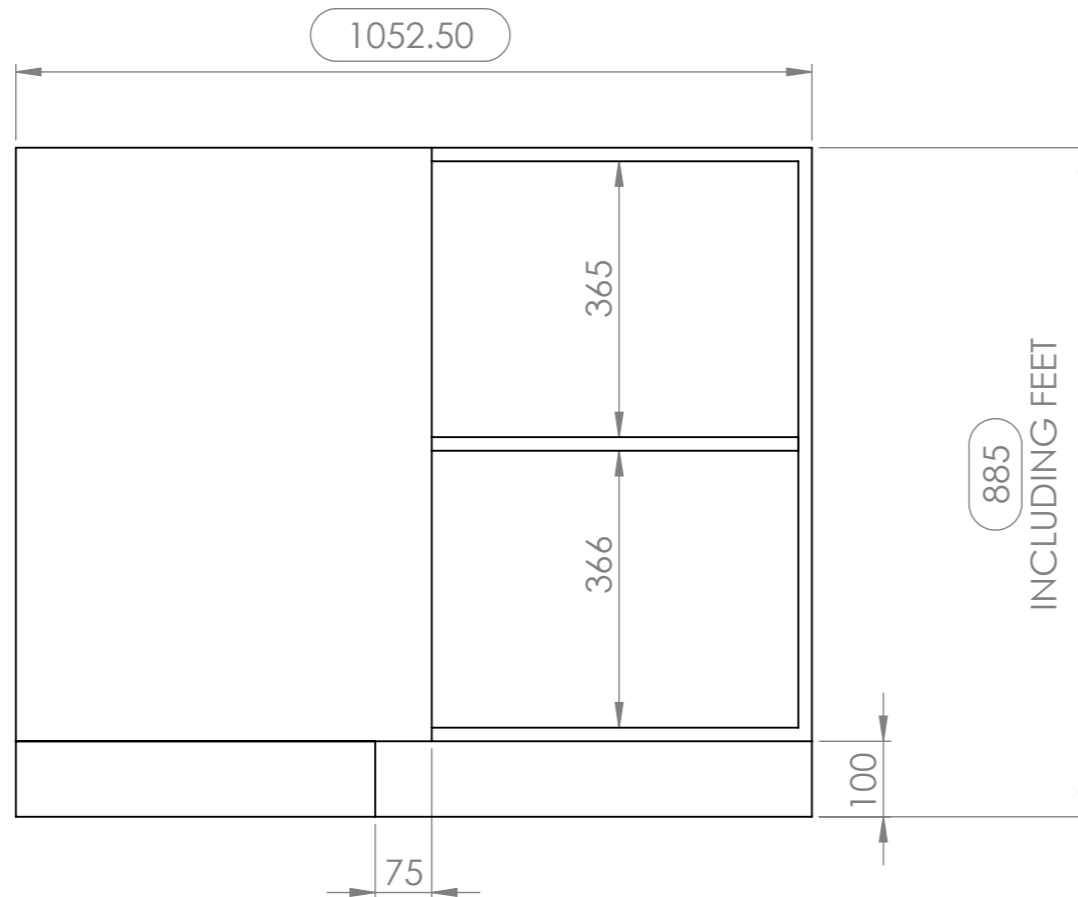
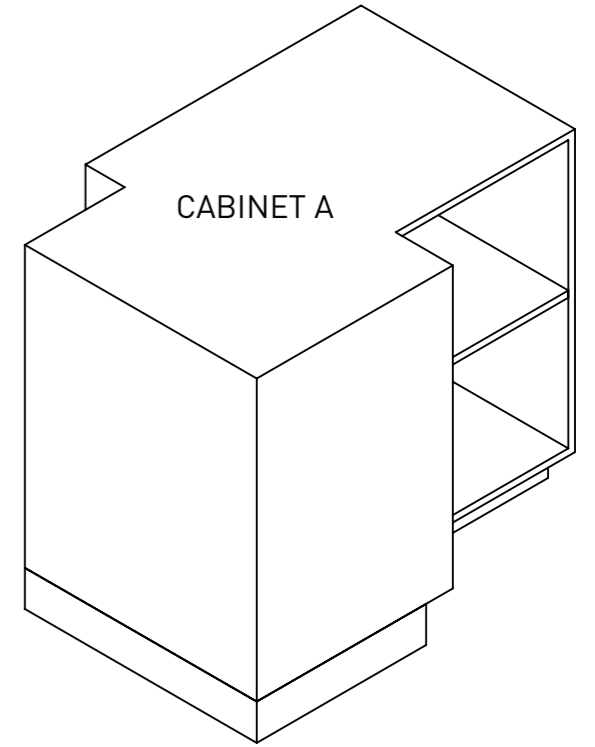
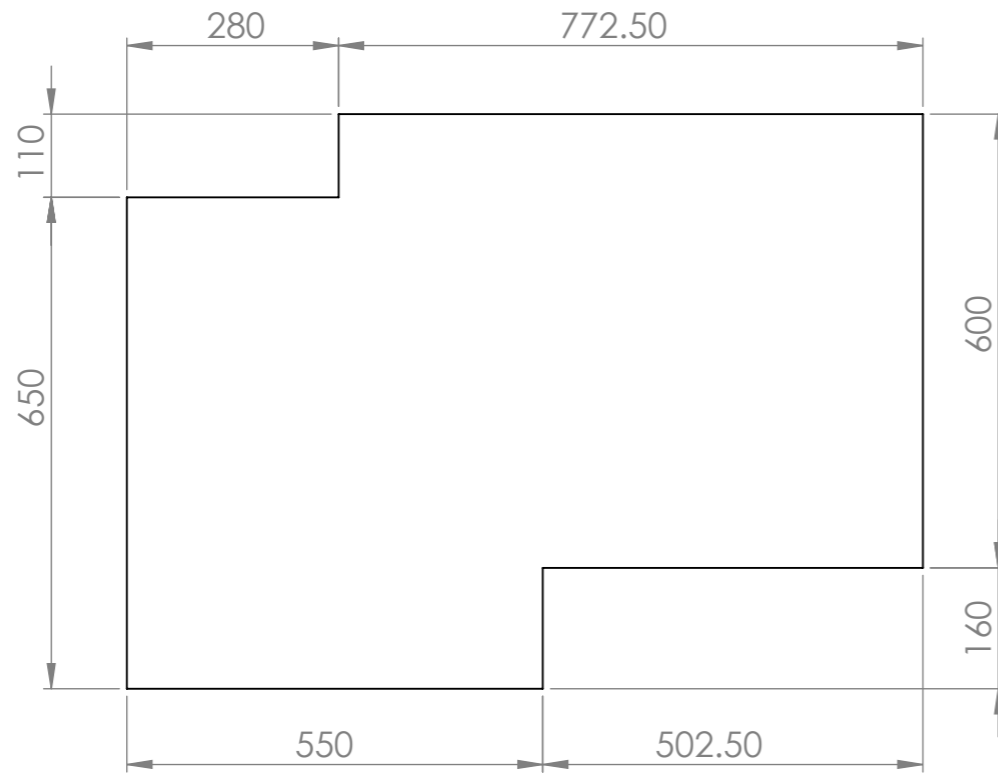
Project:
Vanden by D'vine
Shed

All dimensions are in
millimeters. Please
report any discrepan-
cies in advance, prior
to manufacture.

Orthographic Views:
Cabinet A

Material:
18 Absolute Matte
(Black) on MR MDF
Laminex
3000 x 1200 Sheets

Drawing Size:
A3





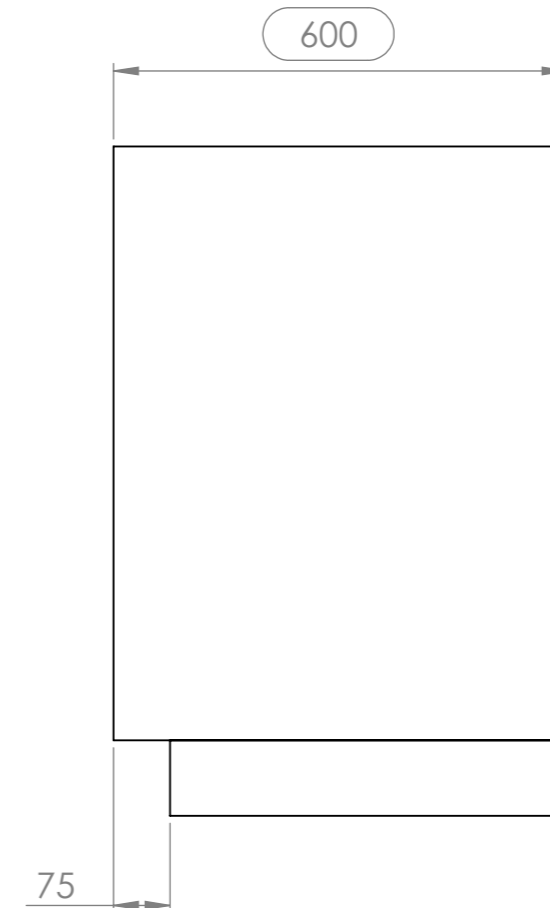
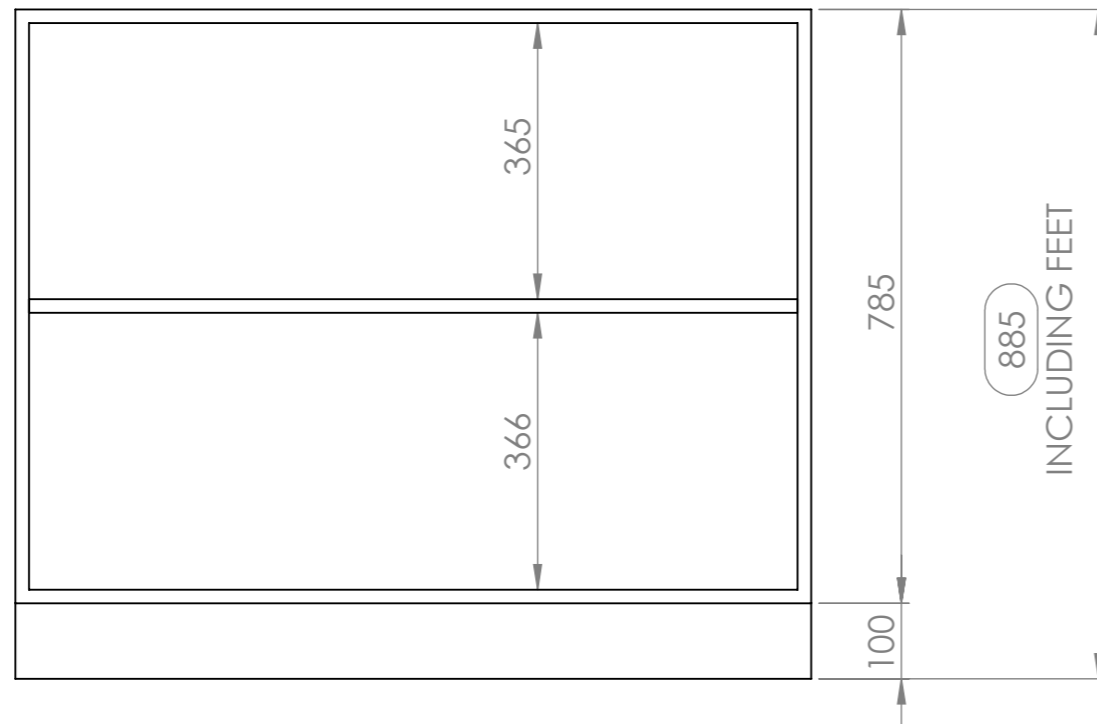
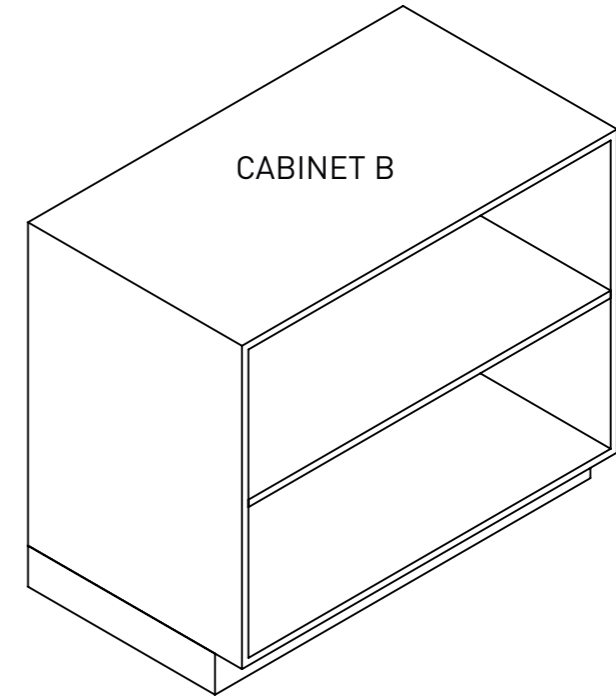
Project:
Vanden by D'vine
Shed

All dimensions are in
millimeters. Please
report any discrepan-
cies in advance, prior
to manufacture.

Orthographic Views:
Cabinet B_

Material:
18 Absolute Matte
(Black) on MR MDF
Laminex
3000 x 1200 Sheets

Drawing Size:
A3





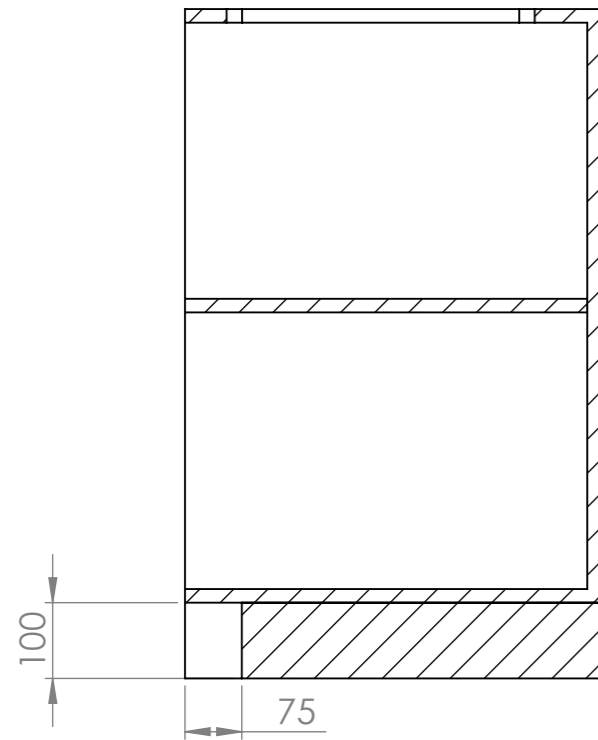
Project:
Vanden by D'vine
Shed

All dimensions are in
millimeters. Please
report any discrepan-
cies in advance, prior
to manufacture.

Orthographic Views:
Cabinet C_

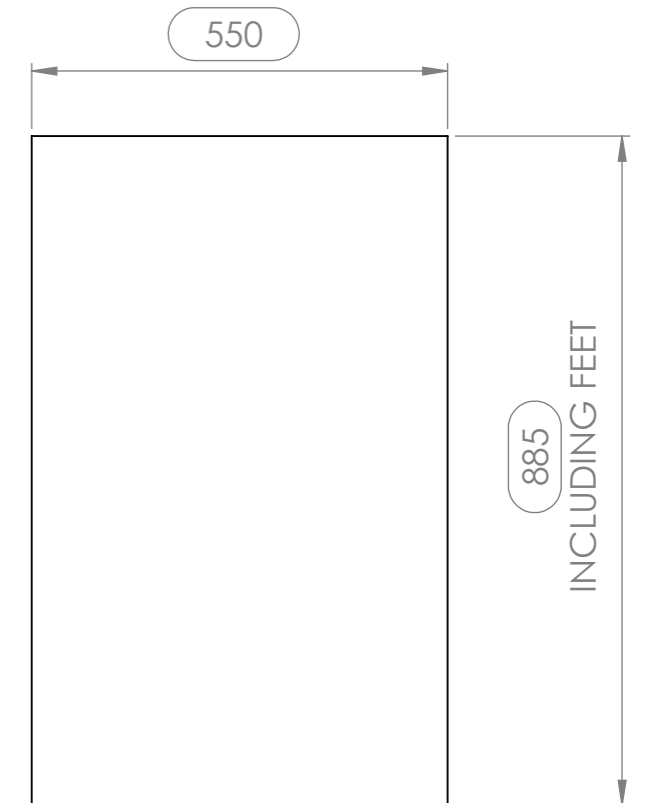
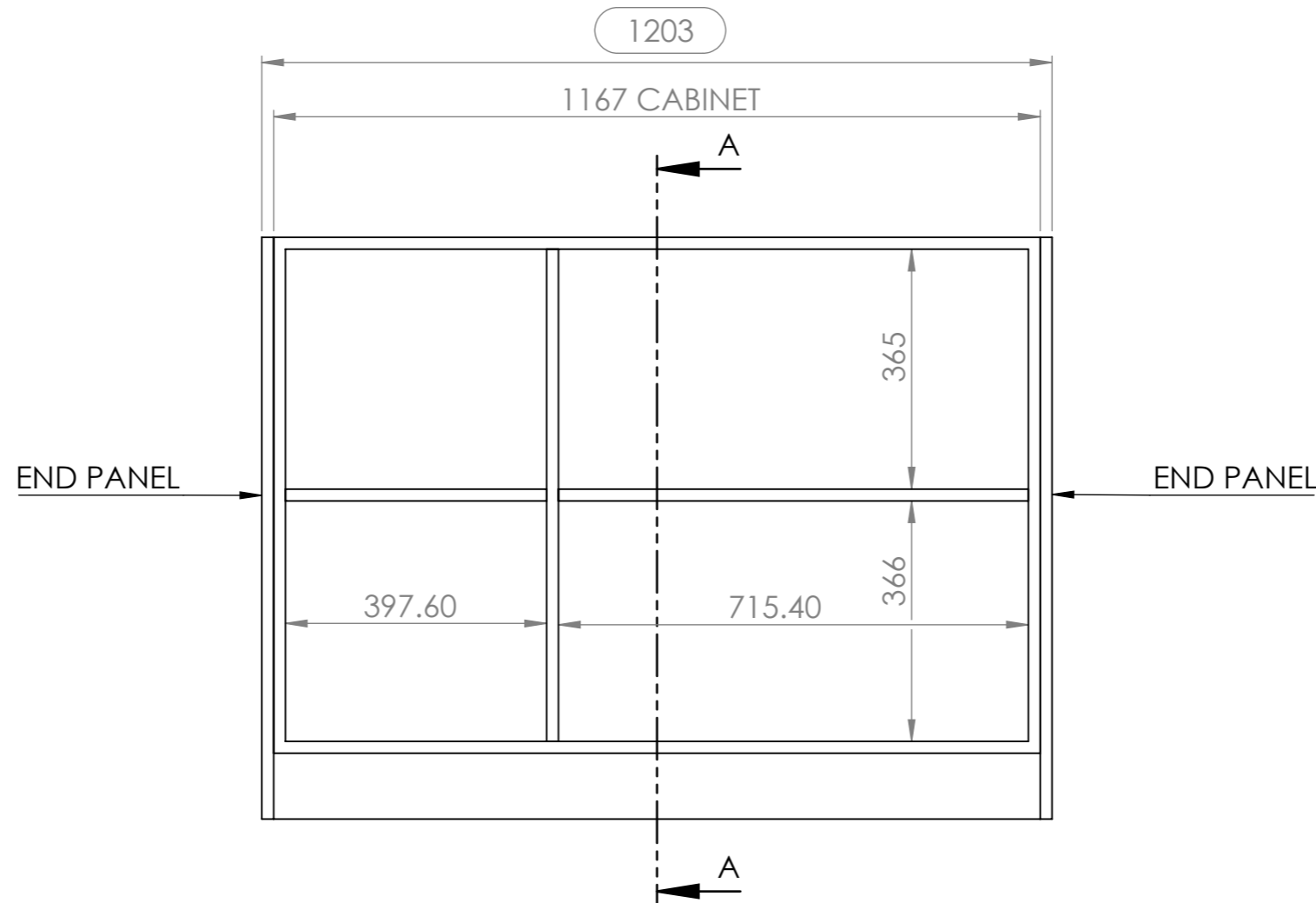
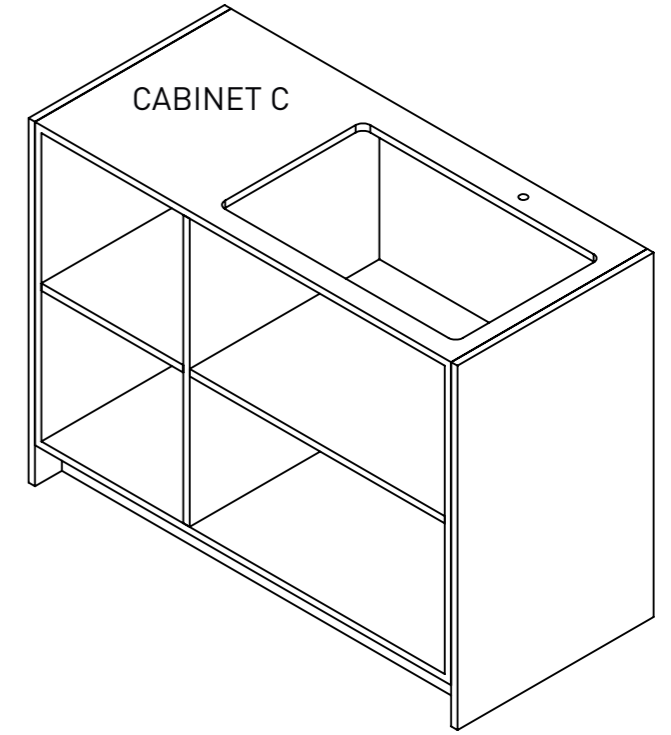
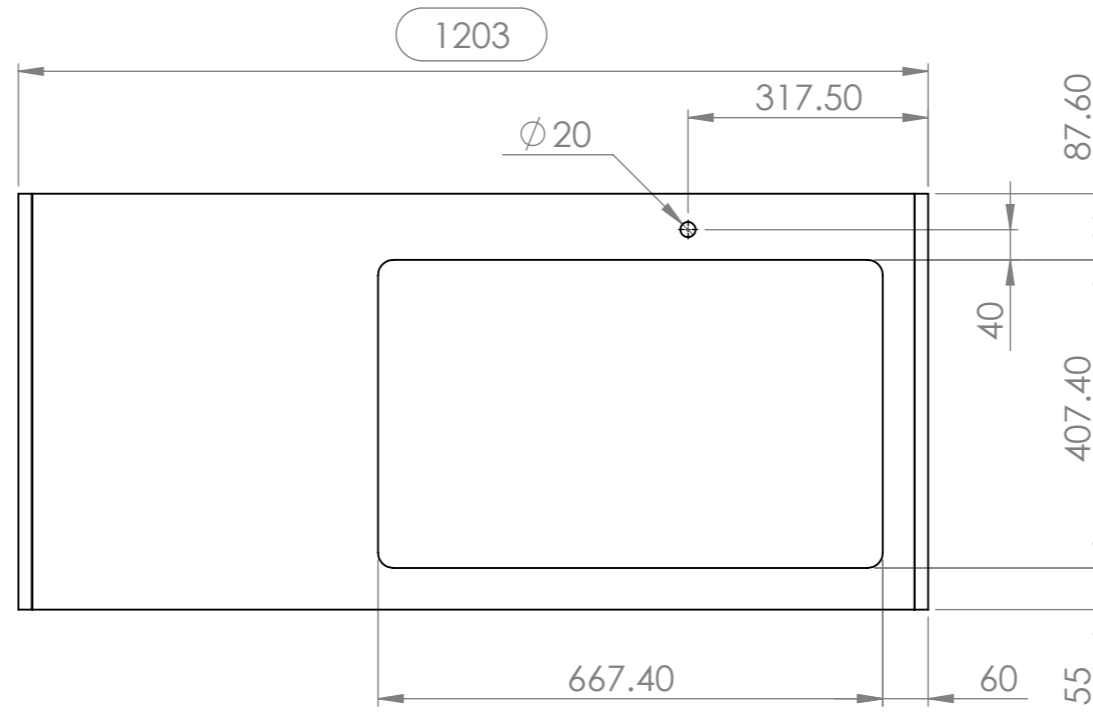
Material:
18 Absolute Matte
(Black) on MR MDF
Laminex
3000 x 1200 Sheets

Drawing Size:
A3



SECTION A-A

Drawing No:
VDN_049



885
INCLUDING FEET



Project:
Vanden by D'vine
Shed

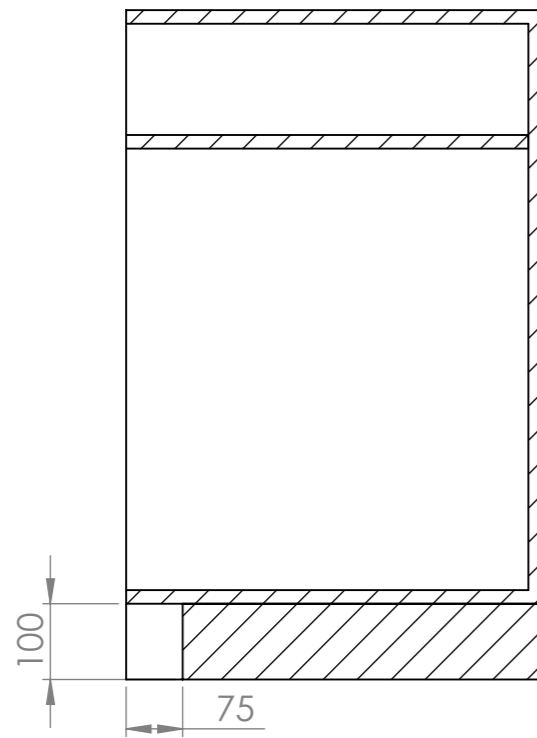
All dimensions are in
millimeters. Please
report any discrepan-
cies in advance, prior
to manufacture.

Orthographic Views:
Cabinet D_

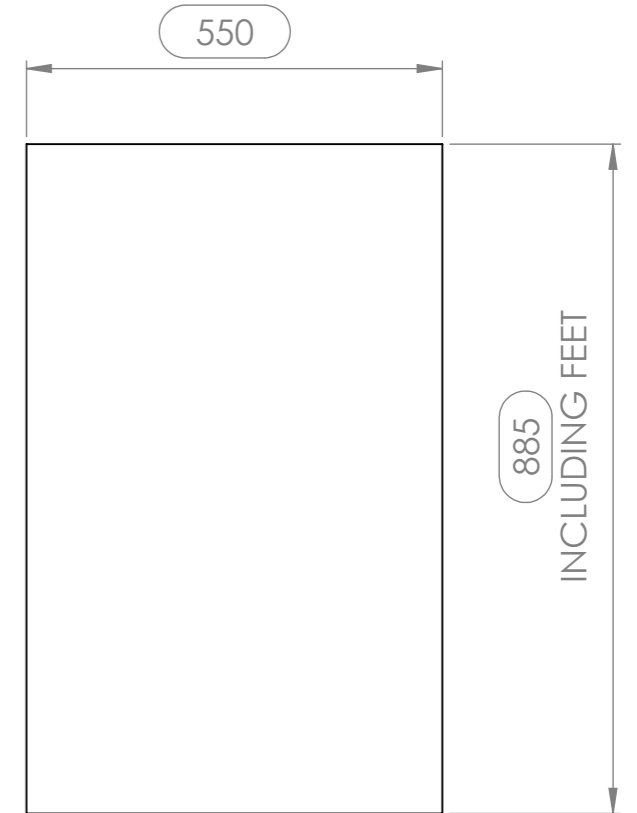
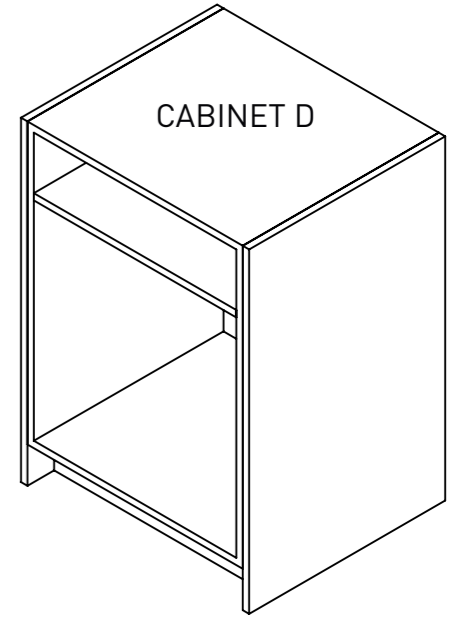
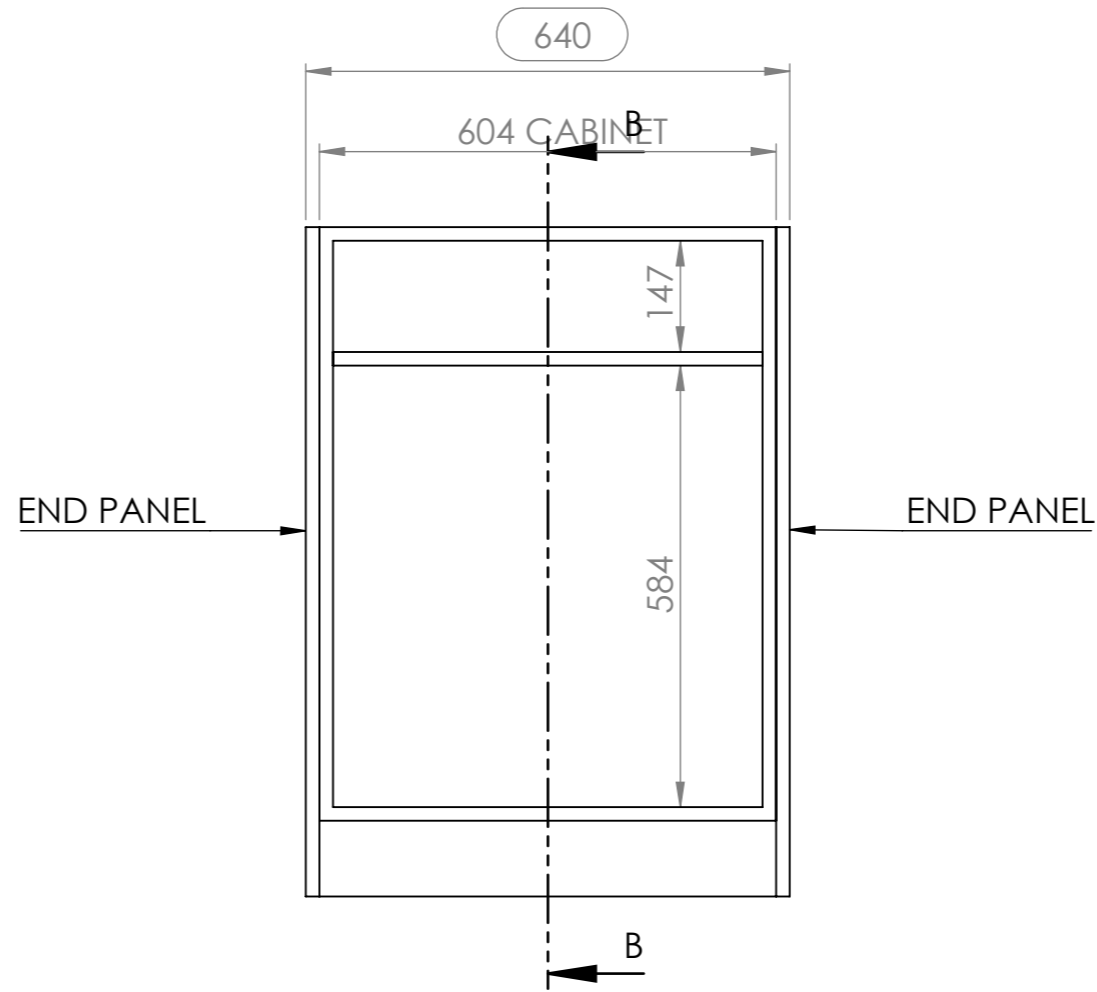
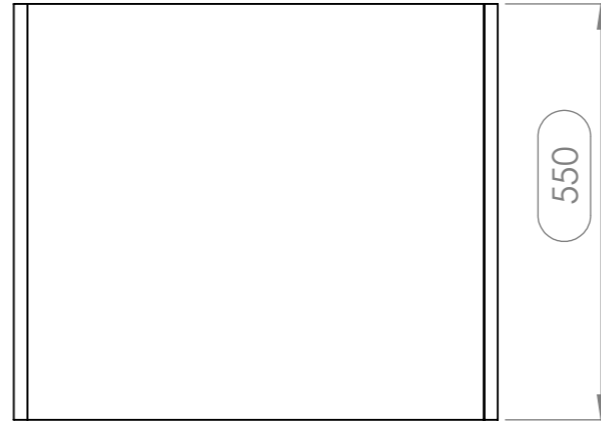
Material:
18 Absolute Matte
(Black) on MR MDF
Laminex
3000 x 1200 Sheets

Drawing Size:
A3

Drawing No:
VDN_050



SECTION B-B





Project:
Vanden by D'vine
Shed

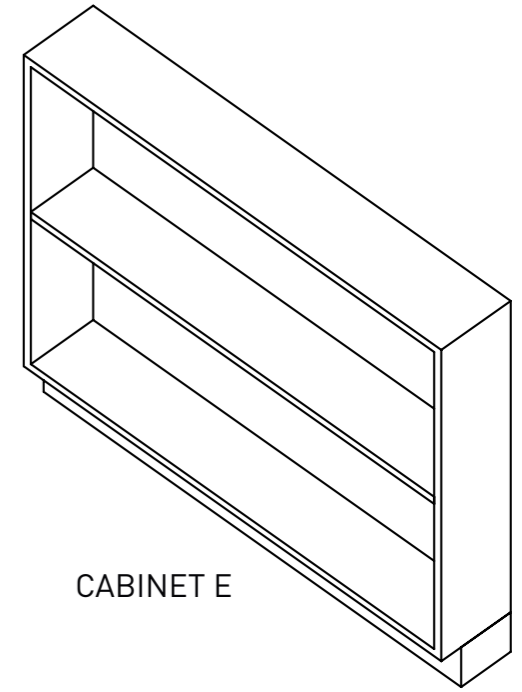
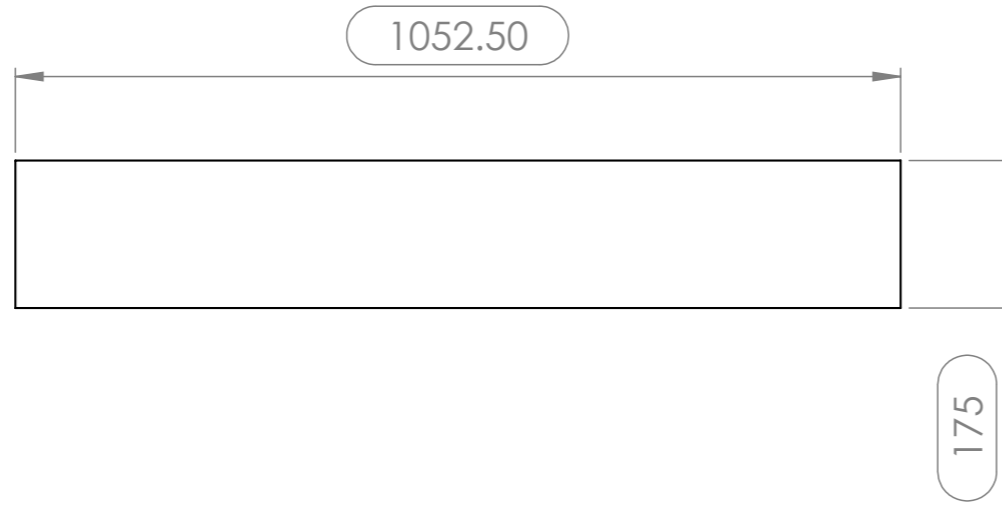
All dimensions are in
millimeters. Please
report any discrepan-
cies in advance, prior
to manufacture.

Orthographic Views:
Cabinet E_

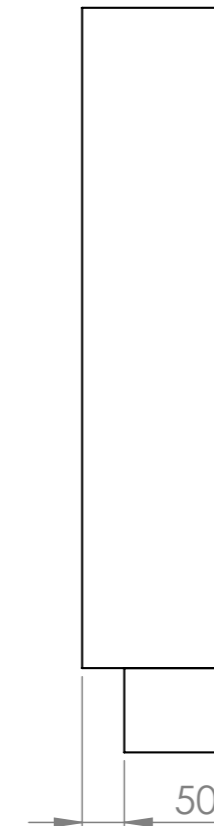
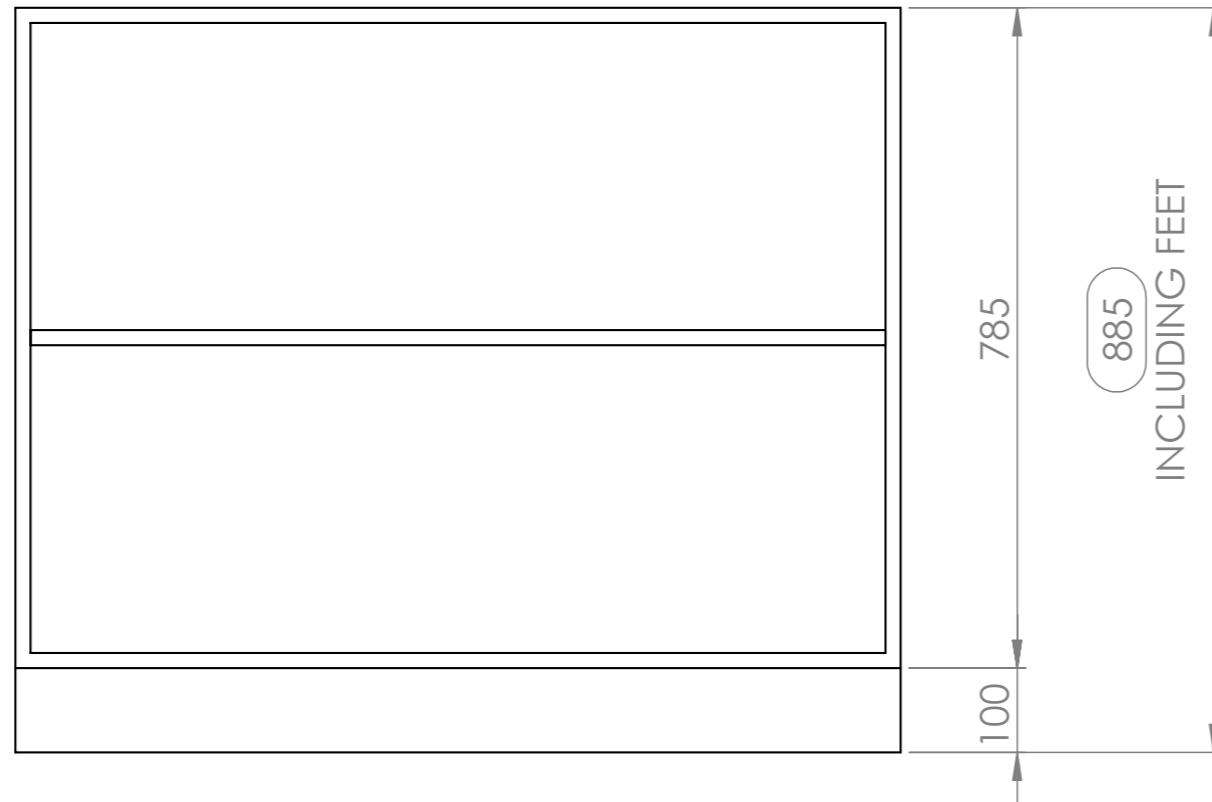
Material:
18 Absolute Matte
(Black) on MR MDF
Laminex
3000 x 1200 Sheets

Drawing Size:
A3

Drawing No:
VDN_051



CABINET E





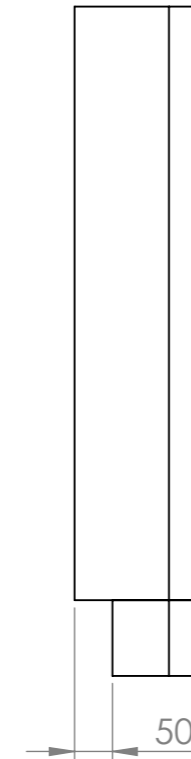
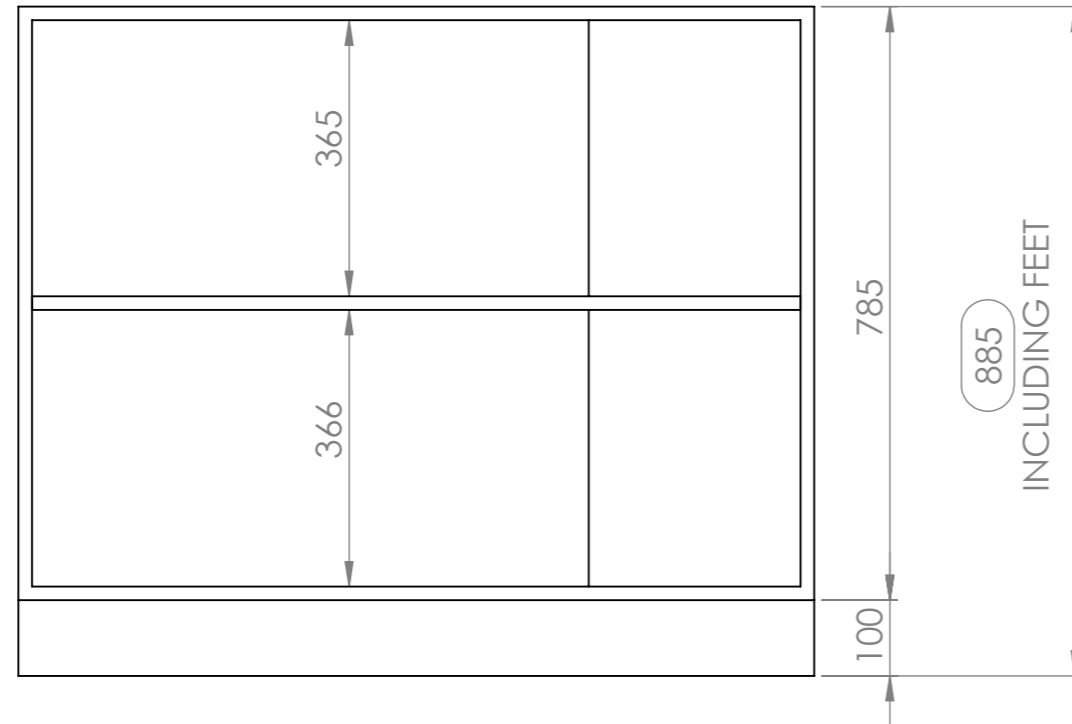
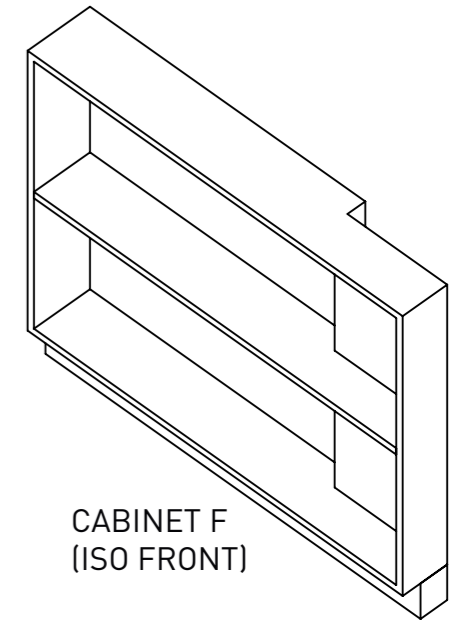
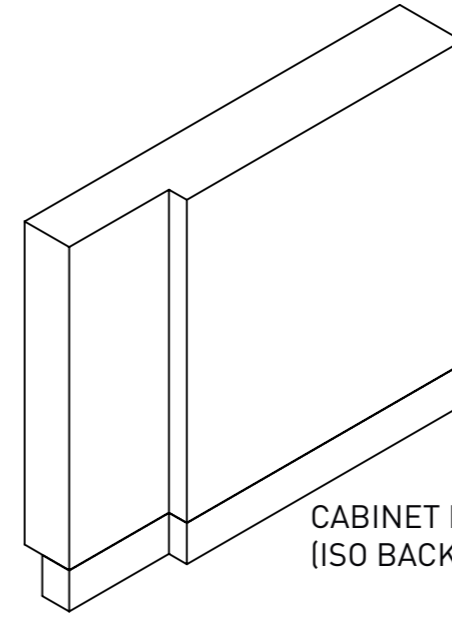
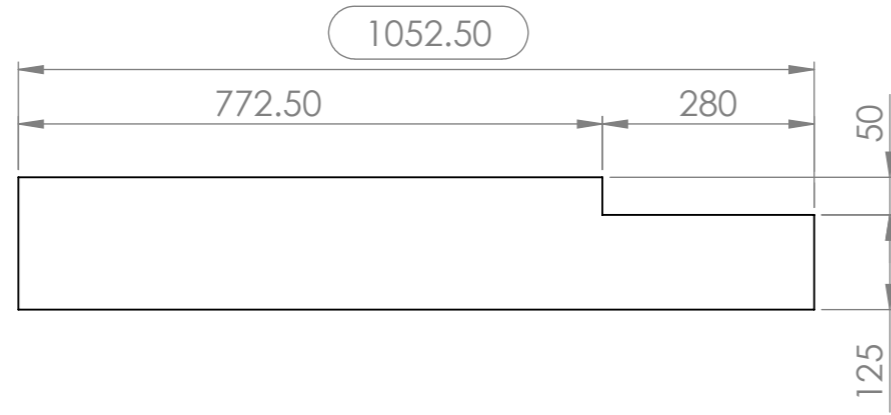
Project:
Vanden by D'vine
Shed

All dimensions are in
millimeters. Please
report any discrepan-
cies in advance, prior
to manufacture.

Orthographic Views:
Cabinet E_

Material:
18 Absolute Matte
(Black) on MR MDF
Laminex
3000 x 1200 Sheets

Drawing Size:
A3



Drawing No:
VDN_052



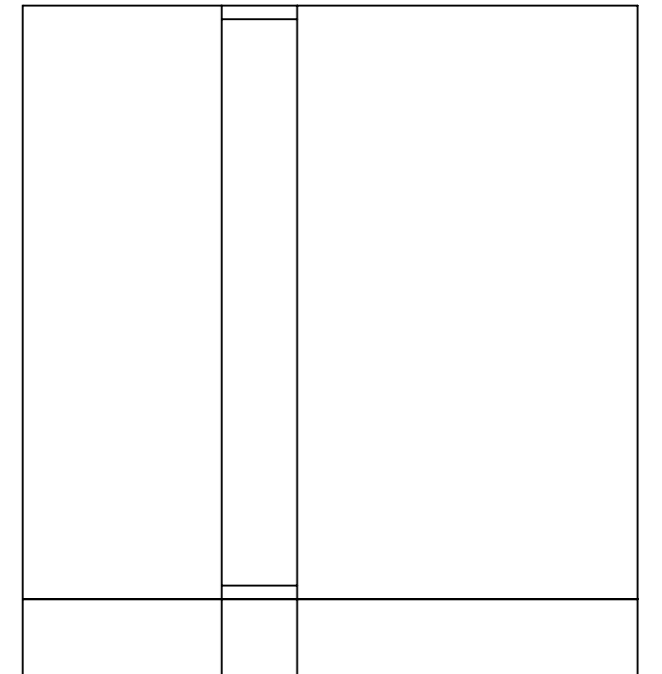
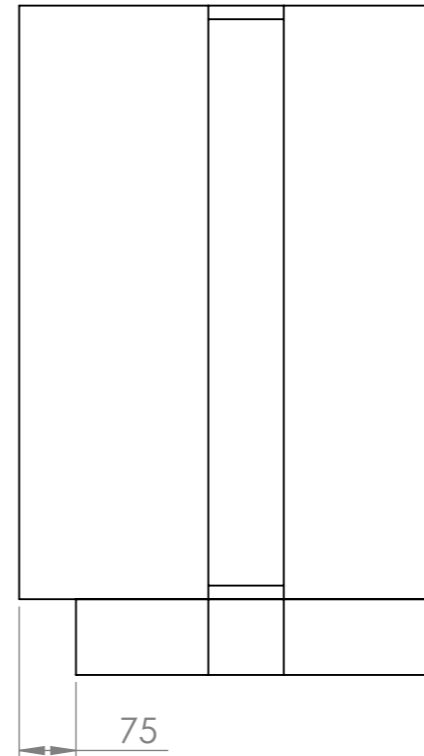
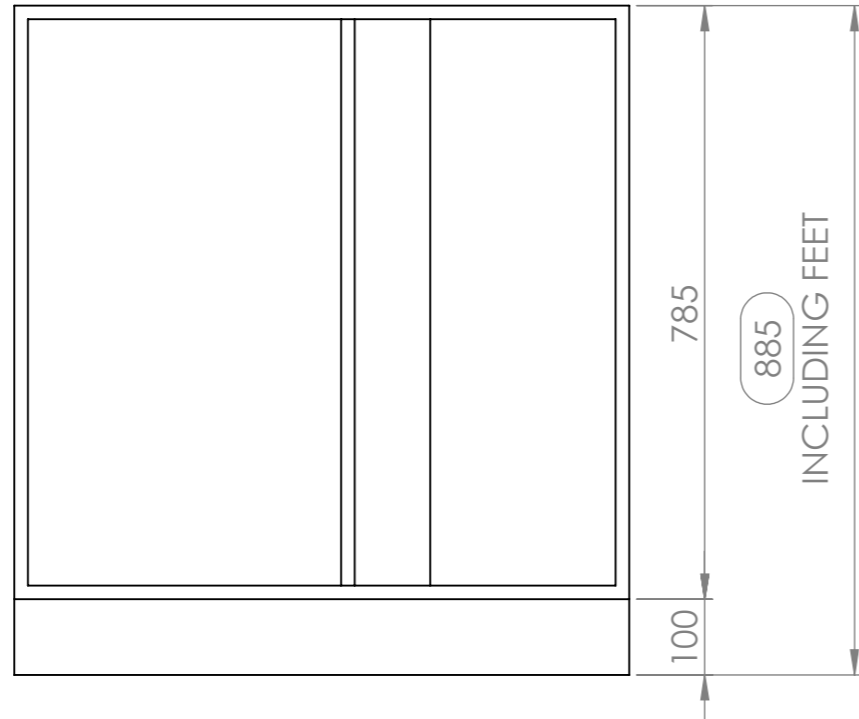
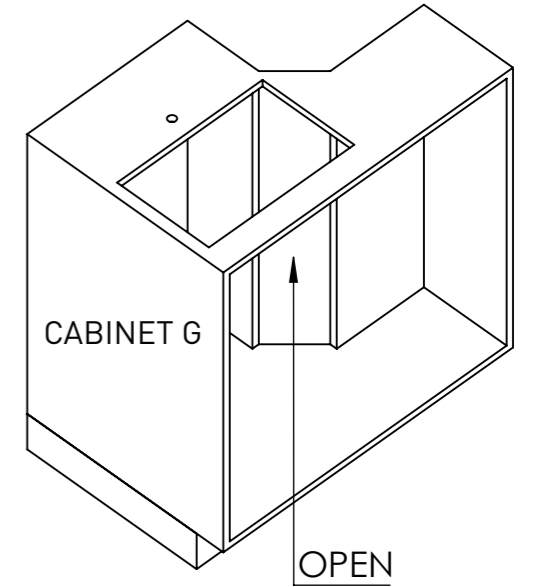
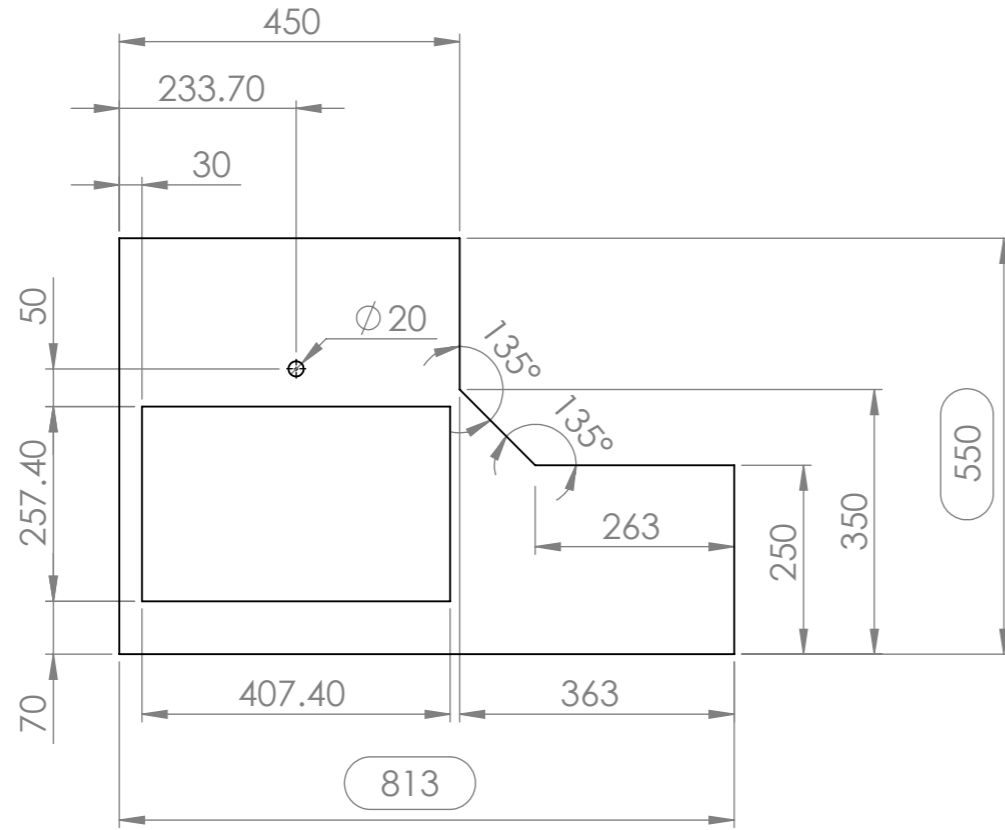
Project:
Vanden by D'vine
Shed

All dimensions are in
millimeters. Please
report any discrepan-
cies in advance, prior
to manufacture.

Orthographic Views:
Cabinet E_

Material:
18 Absolute Matte
(Black) on MR MDF
Laminex
3000 x 1200 Sheets

Drawing Size:
A3





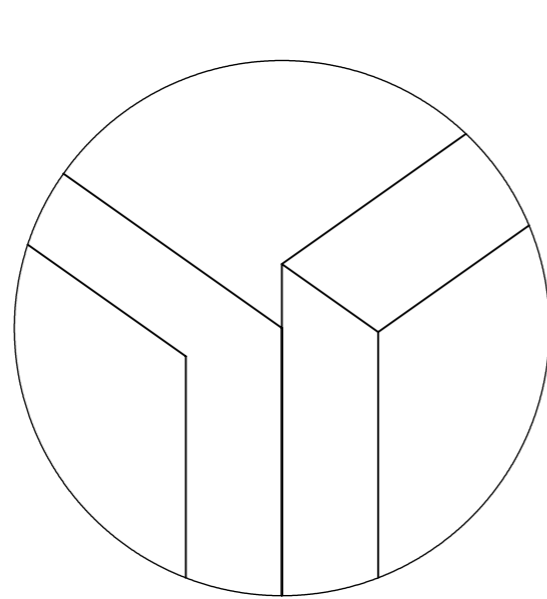
Project:
Vanden by D'vine
Shed

All dimensions are in
millimeters. Please
report any discrepan-
cies in advance, prior
to manufacture.

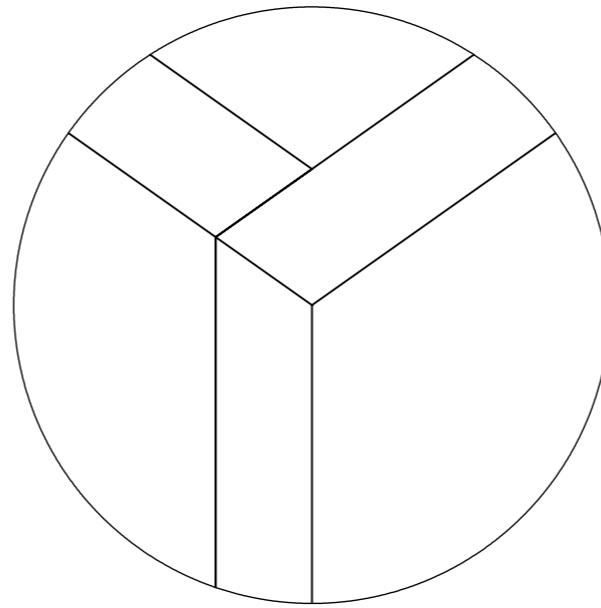
Isometric View:
Bar Construction
~18 Panels

Material:
18 Absolute Matte
(Black) on MR MDF
Laminex
3000 x 1200 Sheets

Drawing Size:
A3

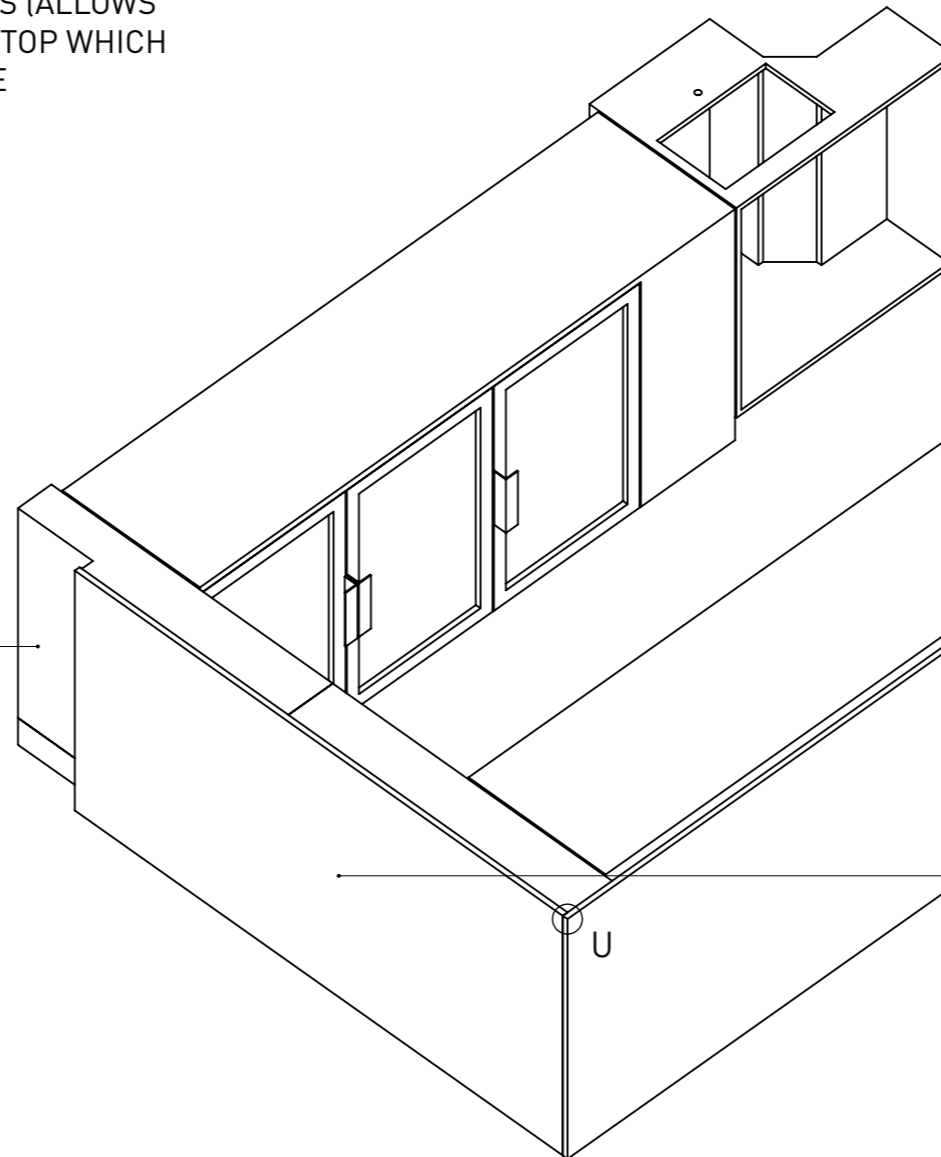
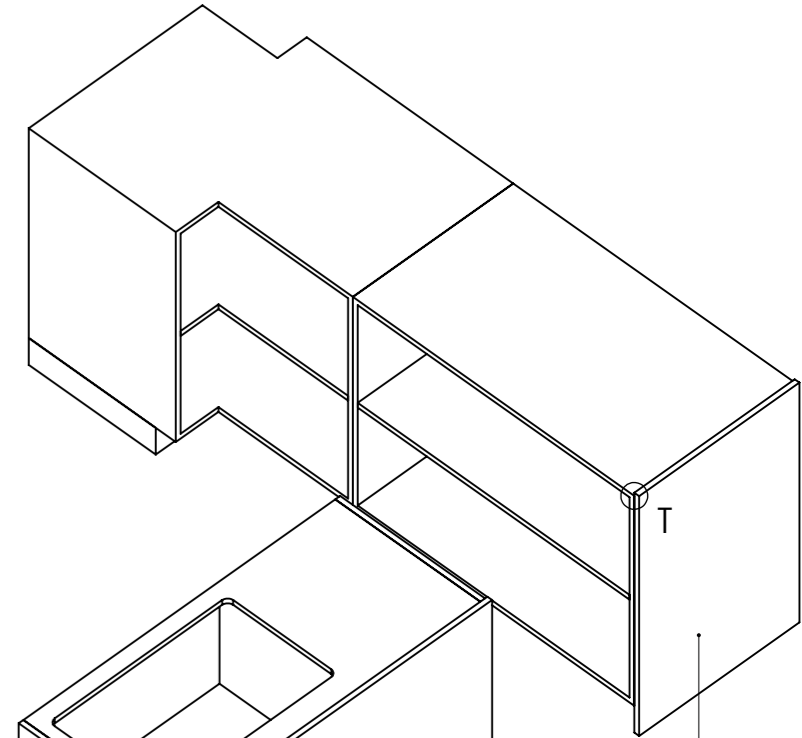


DETAIL T
SCALE 1 : 1



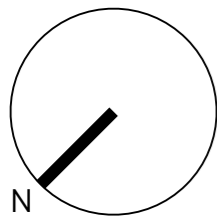
DETAIL U
SCALE 1 : 1

18 MDF LAMINATE PANELS 12
TALLER THEN CABINETS (ALLOWS
FOR 12 MDF PANEL ON TOP WHICH
CREATES SHADOW LINE



280 x 897 GAP
(BEHIND EXISTING POST)

600 x 897 PANEL
2003 x 897 PANEL
2525 x 897 PANEL
1825 x 897 PANEL



Drawing No:
VDN_054



Project:
Vanden by D'vine
Shed

All dimensions are in
millimeters. Please
report any discrepan-
cies in advance, prior
to manufacture.

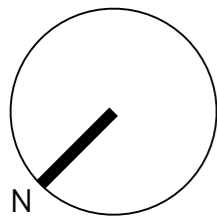
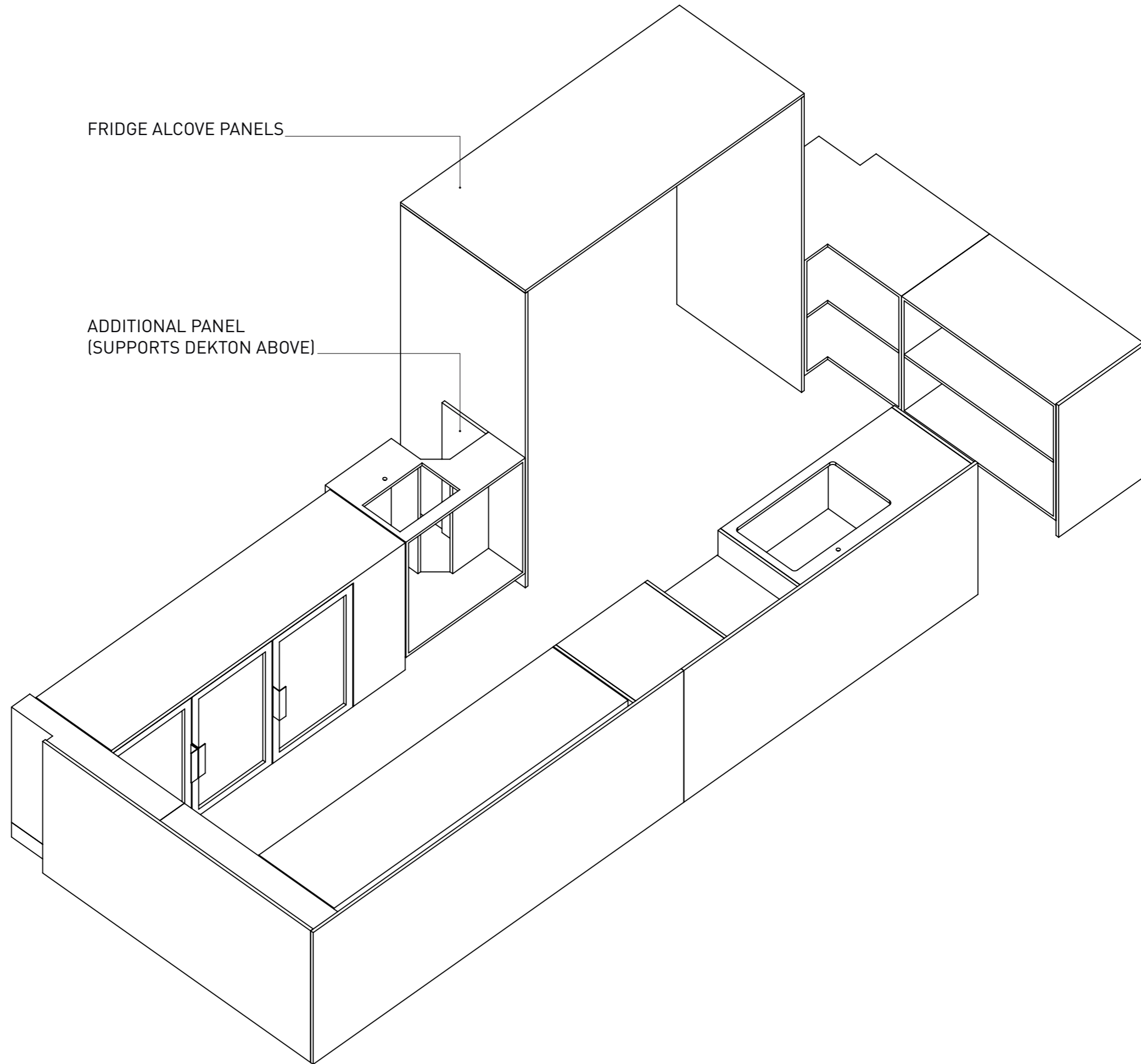
Isometric View:
Bar Construction
~Fridge Alcove
~18 Panels

Material:
18 Absolute Matte
(Black) on MR MDF
Laminex
3000 x 1200 Sheets

Drawing Size:
A3

Drawing Scale:
1:25

Drawing No:
VDN_055





Project:
Vanden by D'vine
Shed

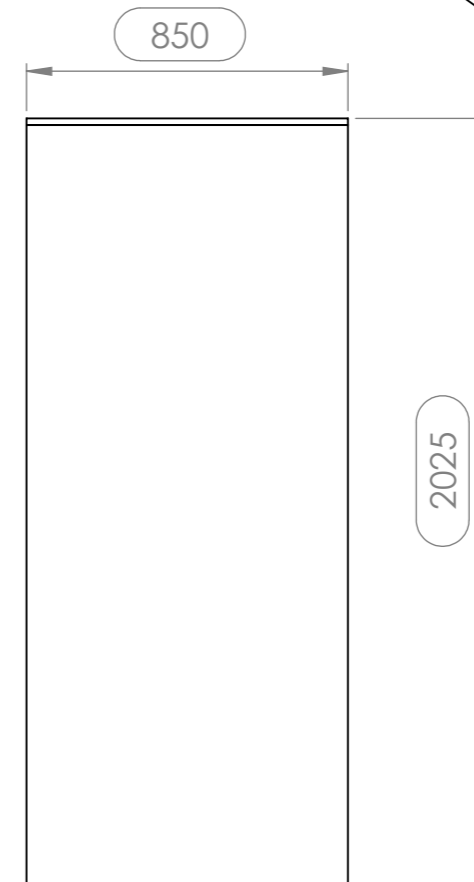
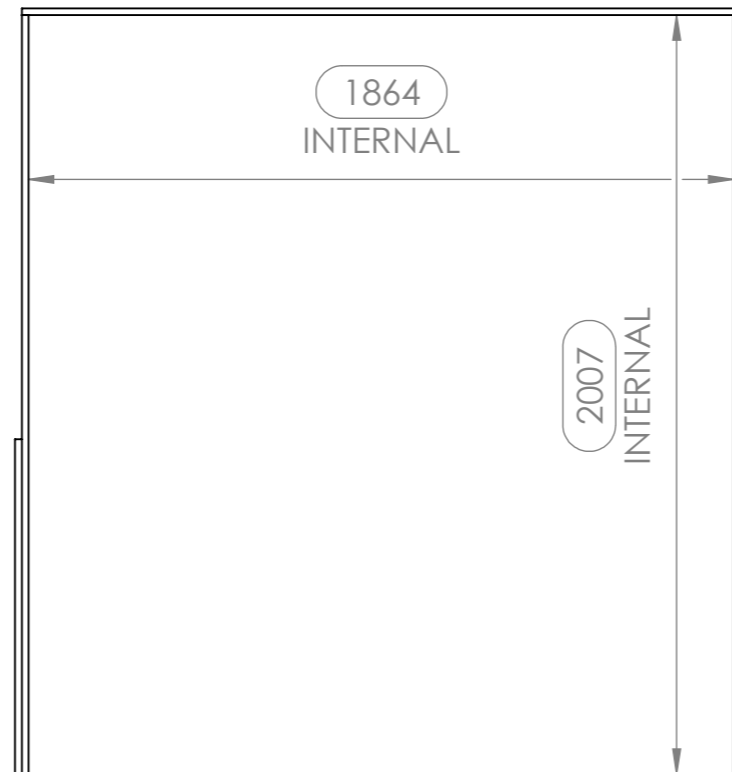
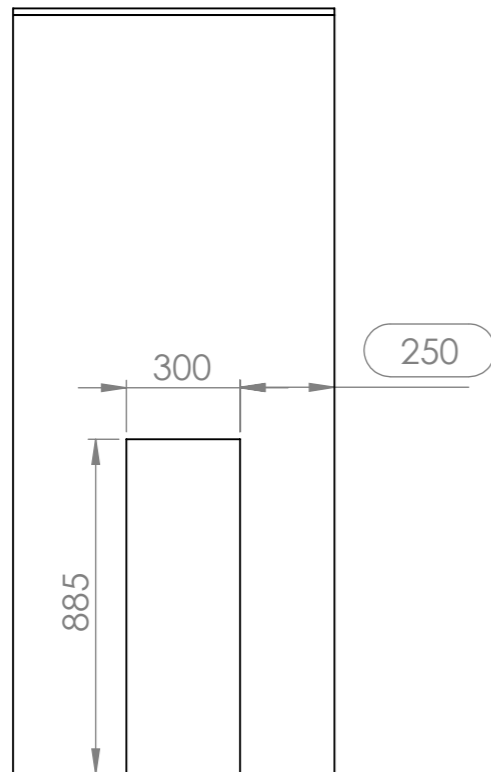
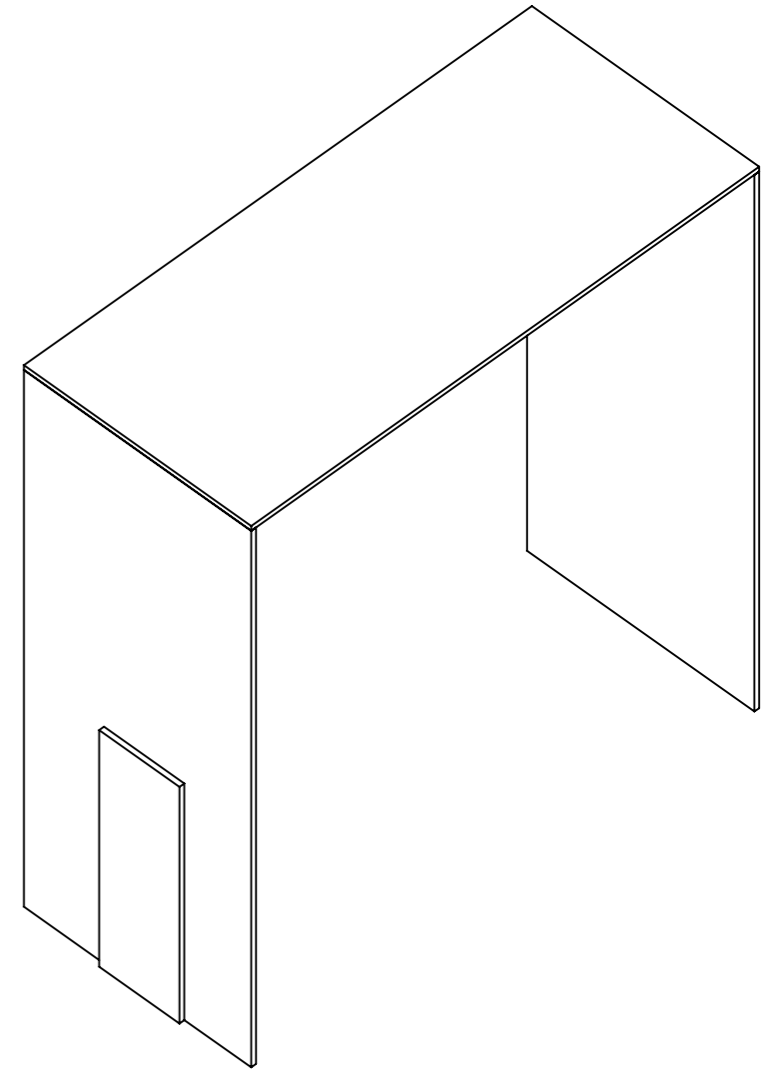
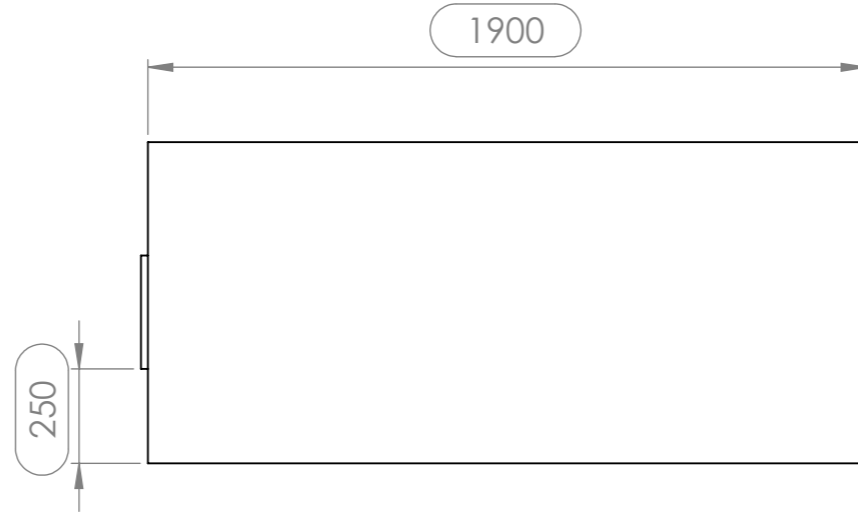
All dimensions are in
millimeters. Please
report any discrepan-
cies in advance, prior
to manufacture.

Orthographic Views:
Fridge Alcove_

Material:
18 Absolute Matte
(Black) on MR MDF
Laminex
3000 x 1200 Sheets

Drawing Size:
A3

Drawing No:
VDN_056



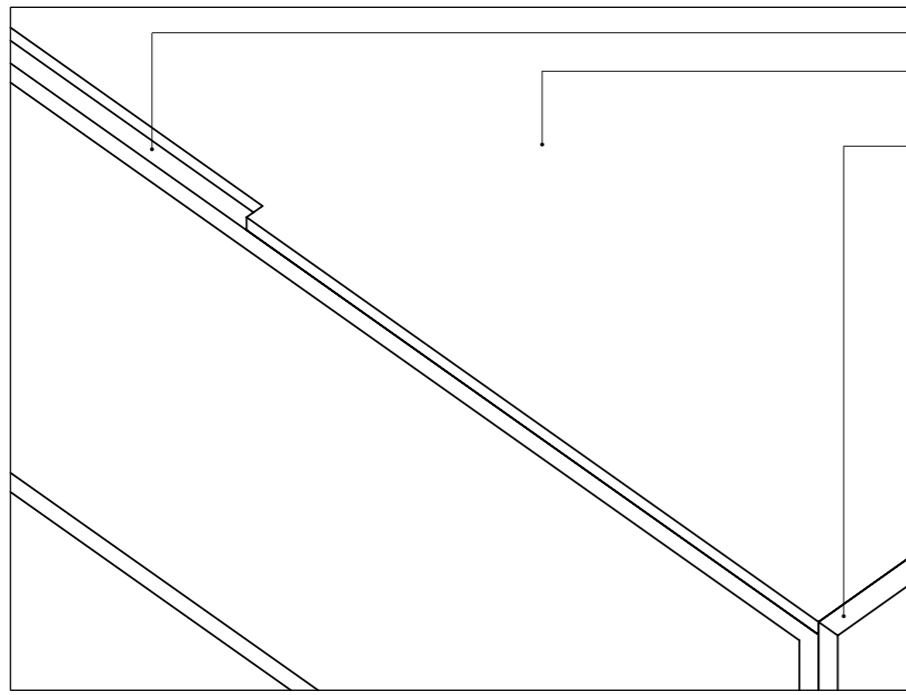


Project:
Vanden by D'vine
Shed

All dimensions are in
millimeters. Please
report any discrepan-
cies in advance, prior
to manufacture.

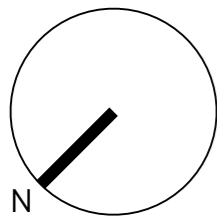
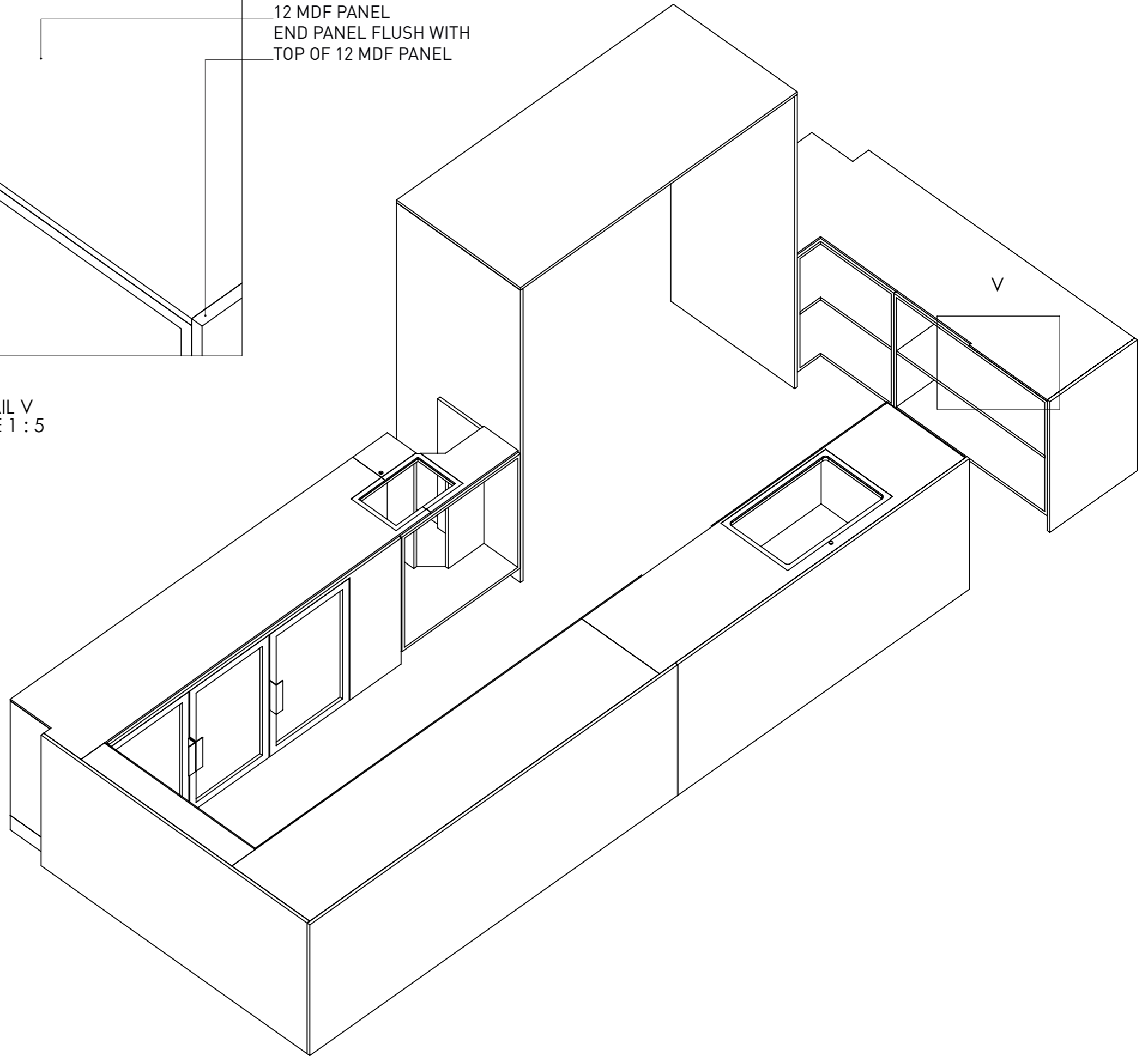
Isometric View:
Bar Construction
~12 MDF Panels
~Shadow Line

Drawing Size:
A3



TOP OF CABINET (SHADOW LINE 15 x 12)
12 MDF PANEL
END PANEL FLUSH WITH
TOP OF 12 MDF PANEL

DETAIL V
SCALE 1 : 5



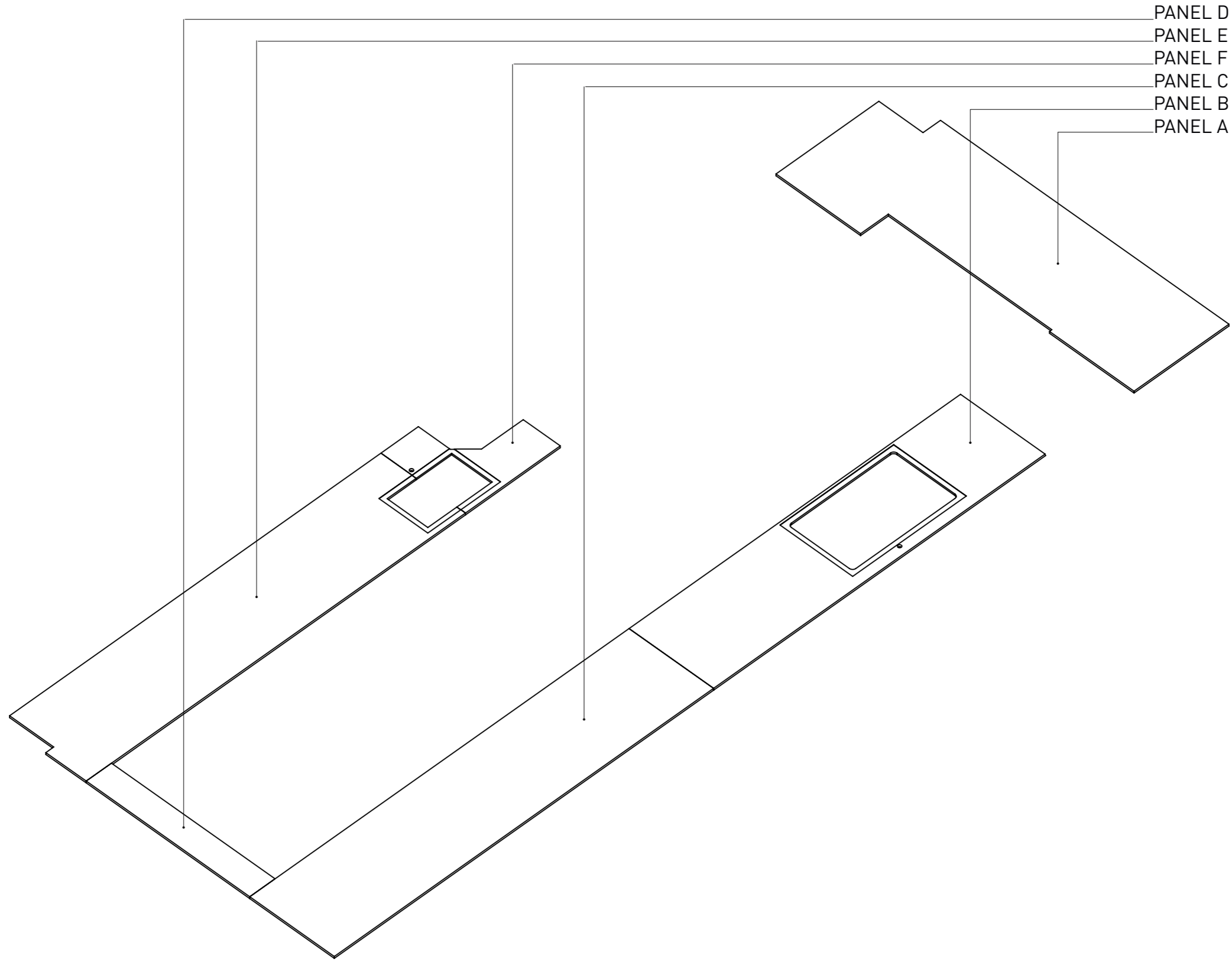


Project:
Vanden by D'vine
Shed

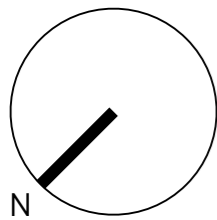
All dimensions are in
millimeters. Please
report any discrepan-
cies in advance, prior
to manufacture.

Top View:
Bar Construction
~12 MDF Panels
~Shadow Line

Drawing Size:
A3



PANEL D
 PANEL E
 PANEL F
 PANEL C
 PANEL B
 PANEL A



Drawing No:
VDN_058

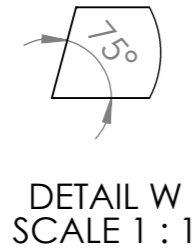
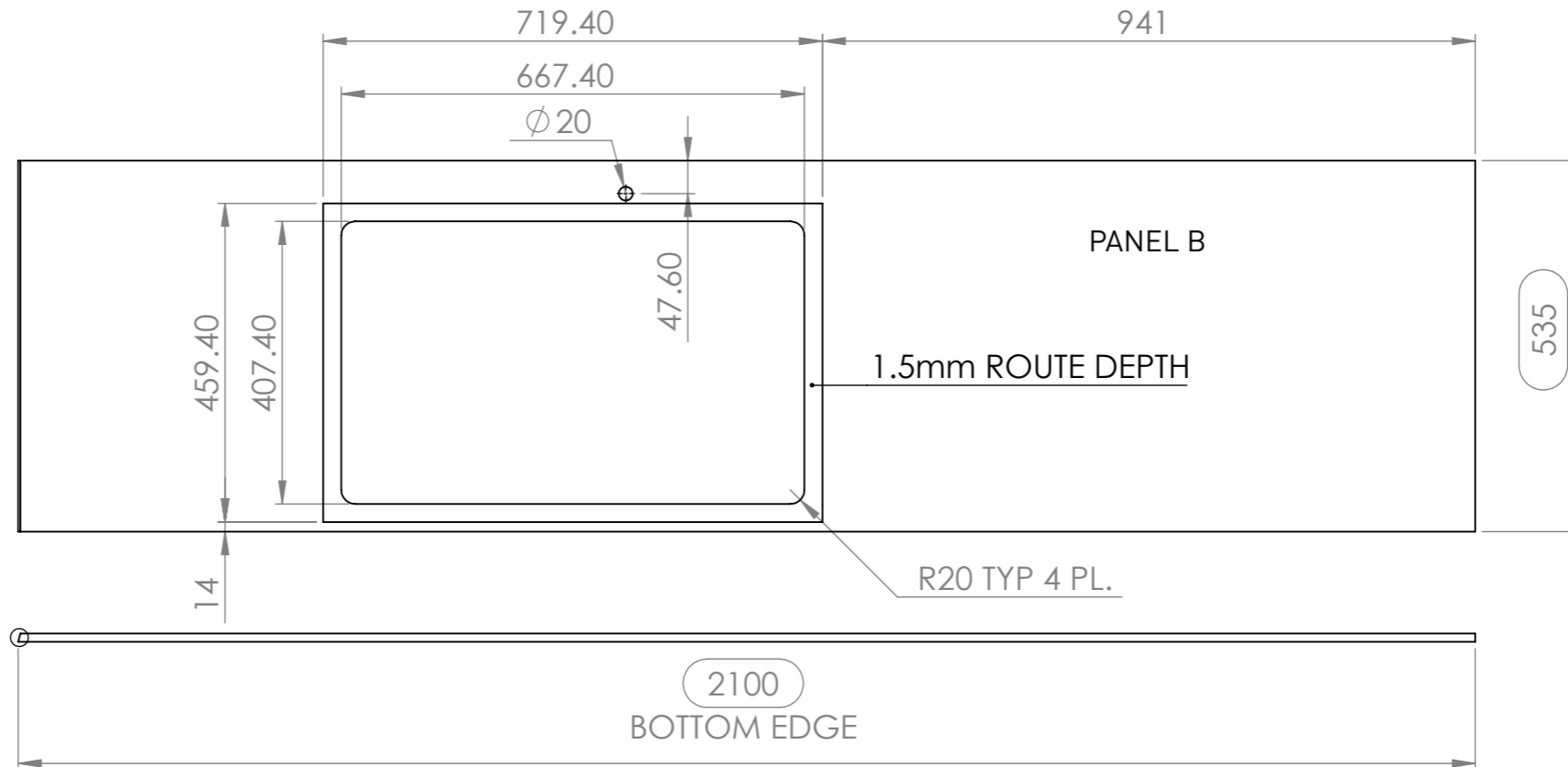
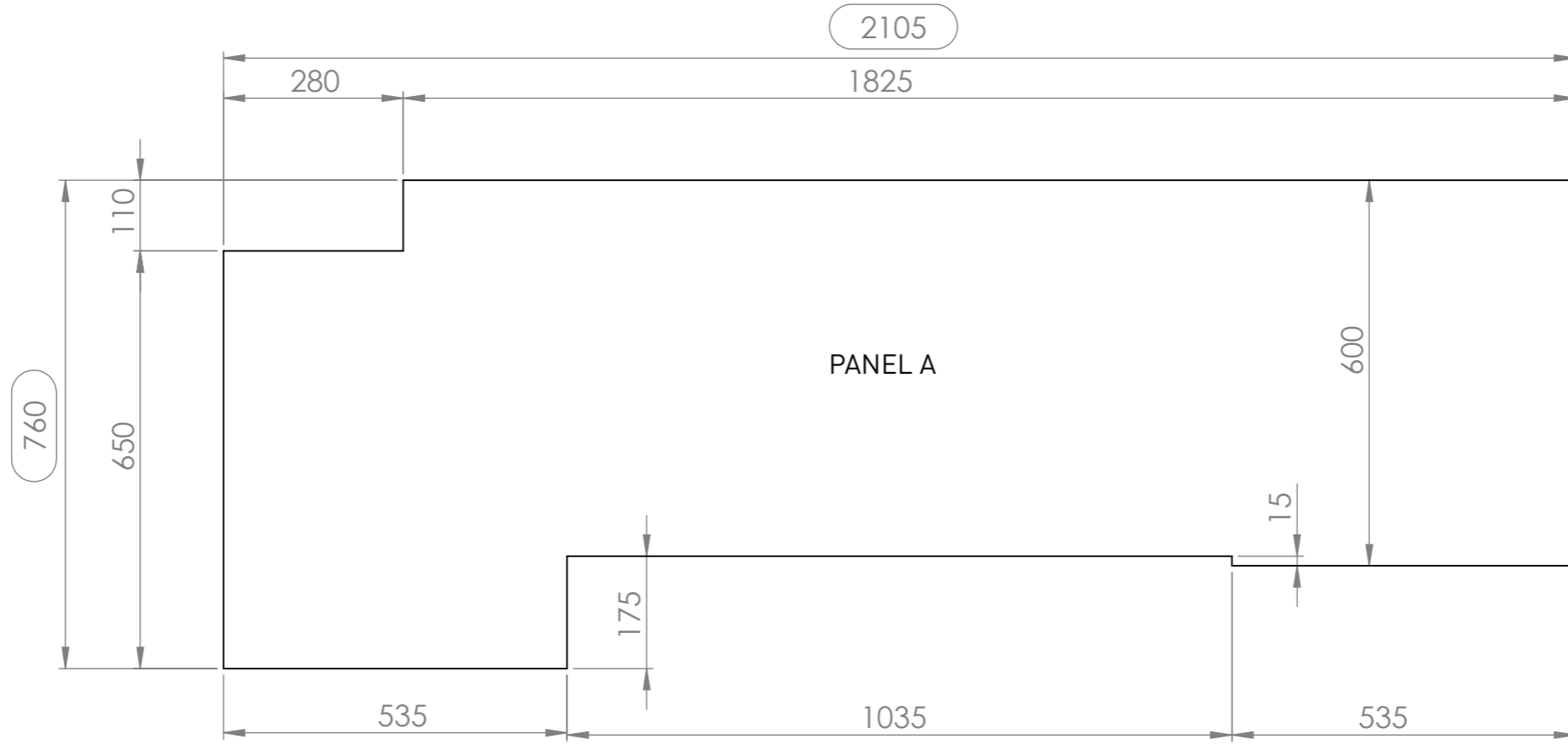


Project:
Vanden by D'vine
Shed

All dimensions are in
millimeters. Please
report any discrepan-
cies in advance, prior
to manufacture.

Top View:
Bar Construction
~12 MDF Panels
~Shadow Line

Drawing Size:
A3



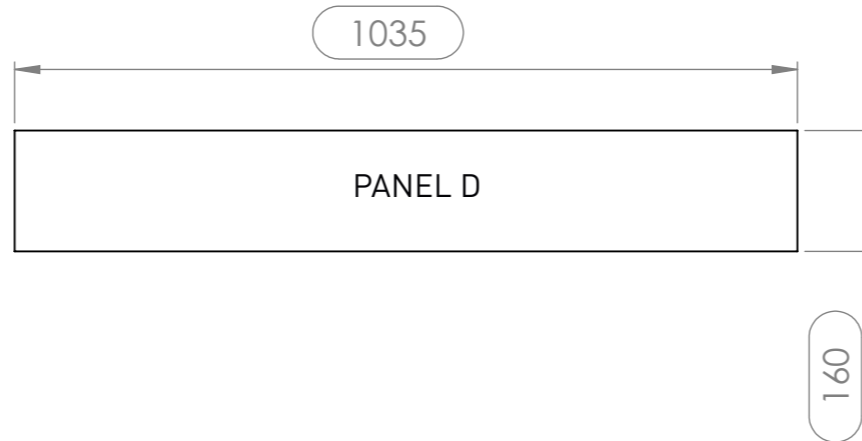
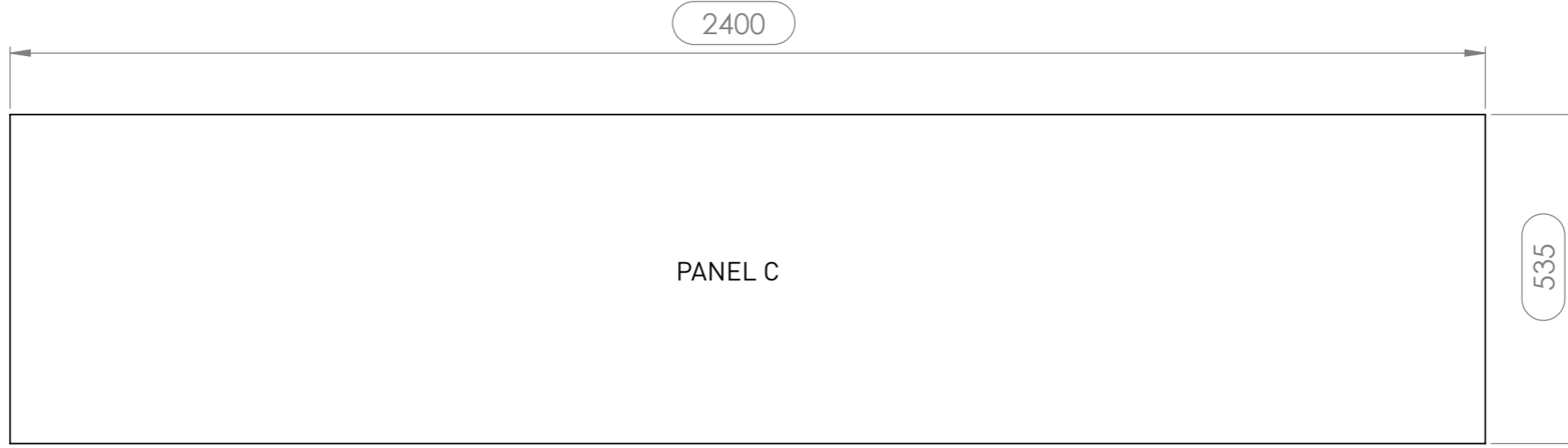


Project:
Vanden by D'vine
Shed

All dimensions are in
millimeters. Please
report any discrepan-
cies in advance, prior
to manufacture.

Top View:
Bar Construction
~12 MDF Panels
~Shadow Line

Drawing Size:
A3





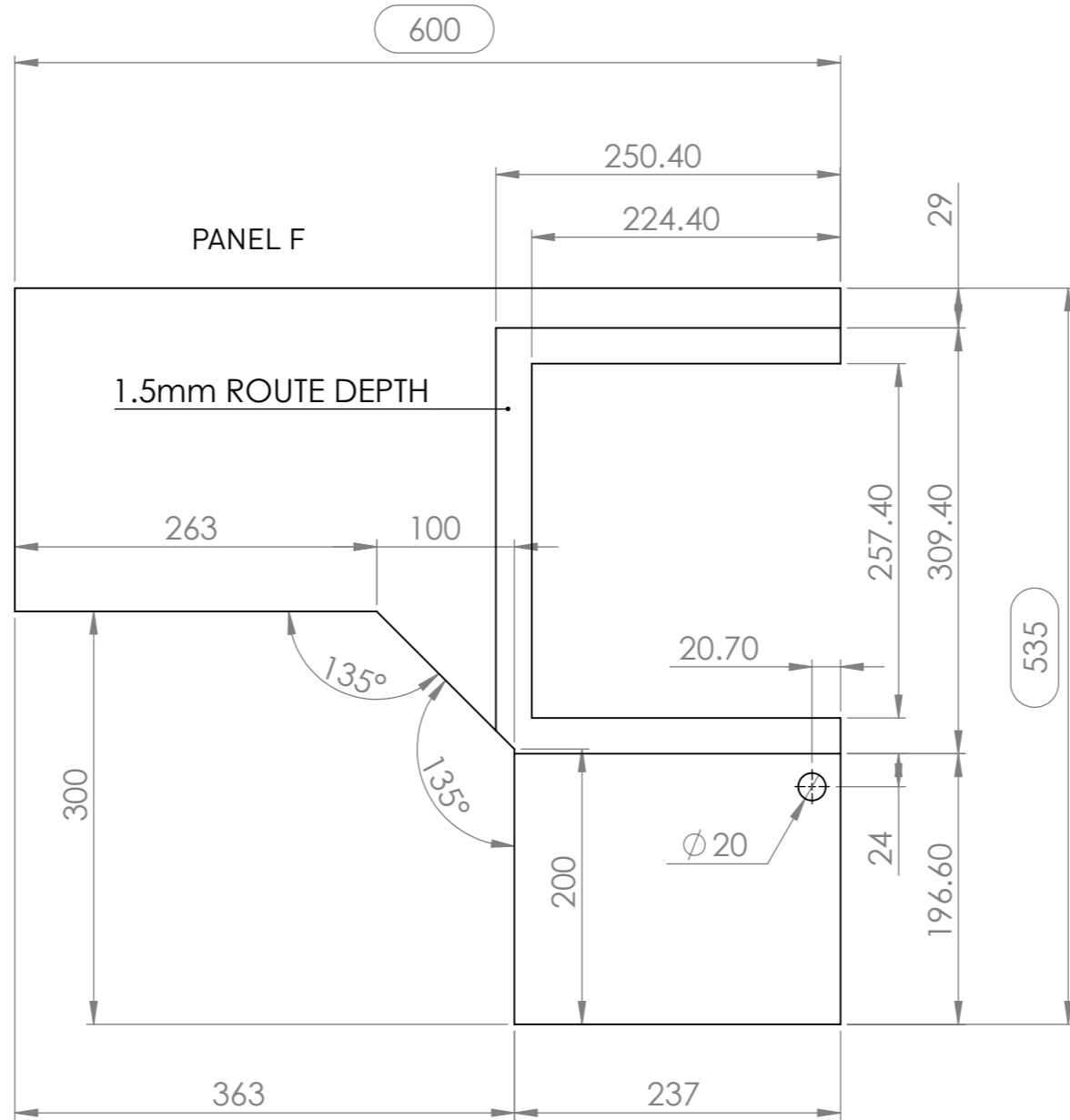
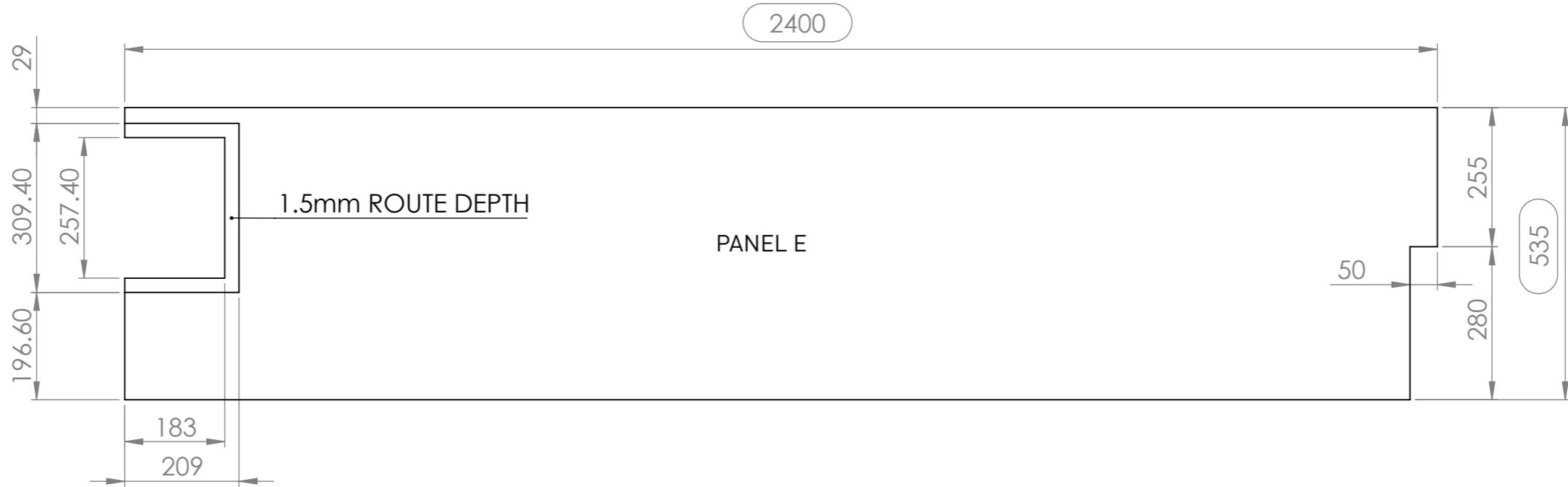
Project:
Vanden by D'vine
Shed

All dimensions are in
millimeters. Please
report any discrepan-
cies in advance, prior
to manufacture.

Top View:
Bar Construction
~12 MDF Panels
~Shadow Line

Drawing Size:
A3

Drawing No:
VDN_061





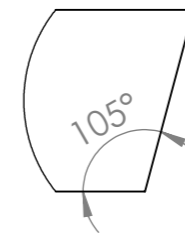
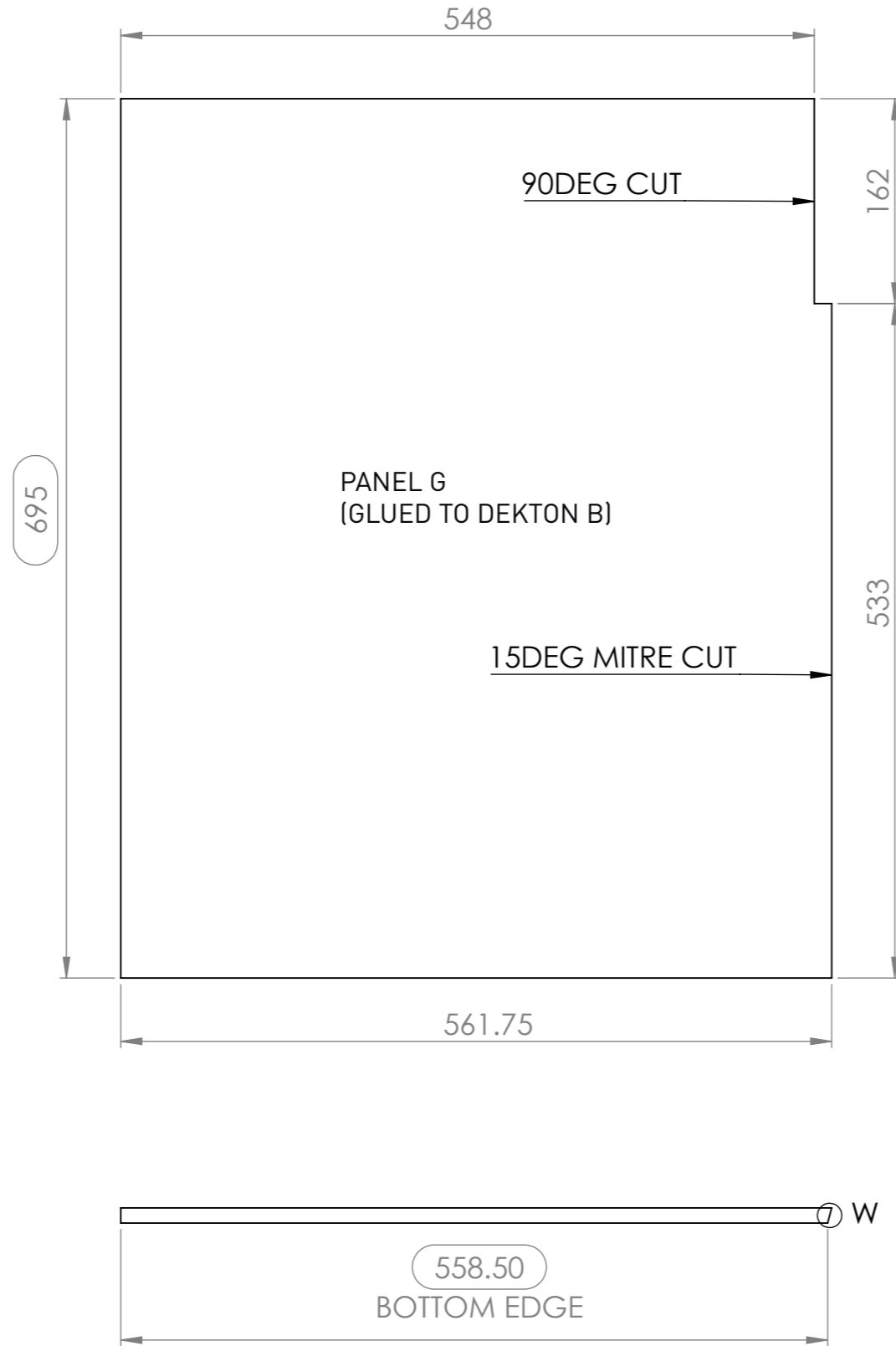
Project:
Vanden by D'vine
Shed

All dimensions are in
millimeters. Please
report any discrepan-
cies in advance, prior
to manufacture.

Top View:
Bar Construction
~12 MDF Panels
~Shadow Line

Drawing Size:
A3

Drawing No:
VDN_062



DETAIL W
SCALE 2 : 1



Project:
Vanden by D'vine
Shed

Base Bar Details - CNC Panels

Drawing No:
VDN_063

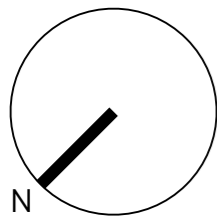


Project:
Vanden by D'vine
Shed

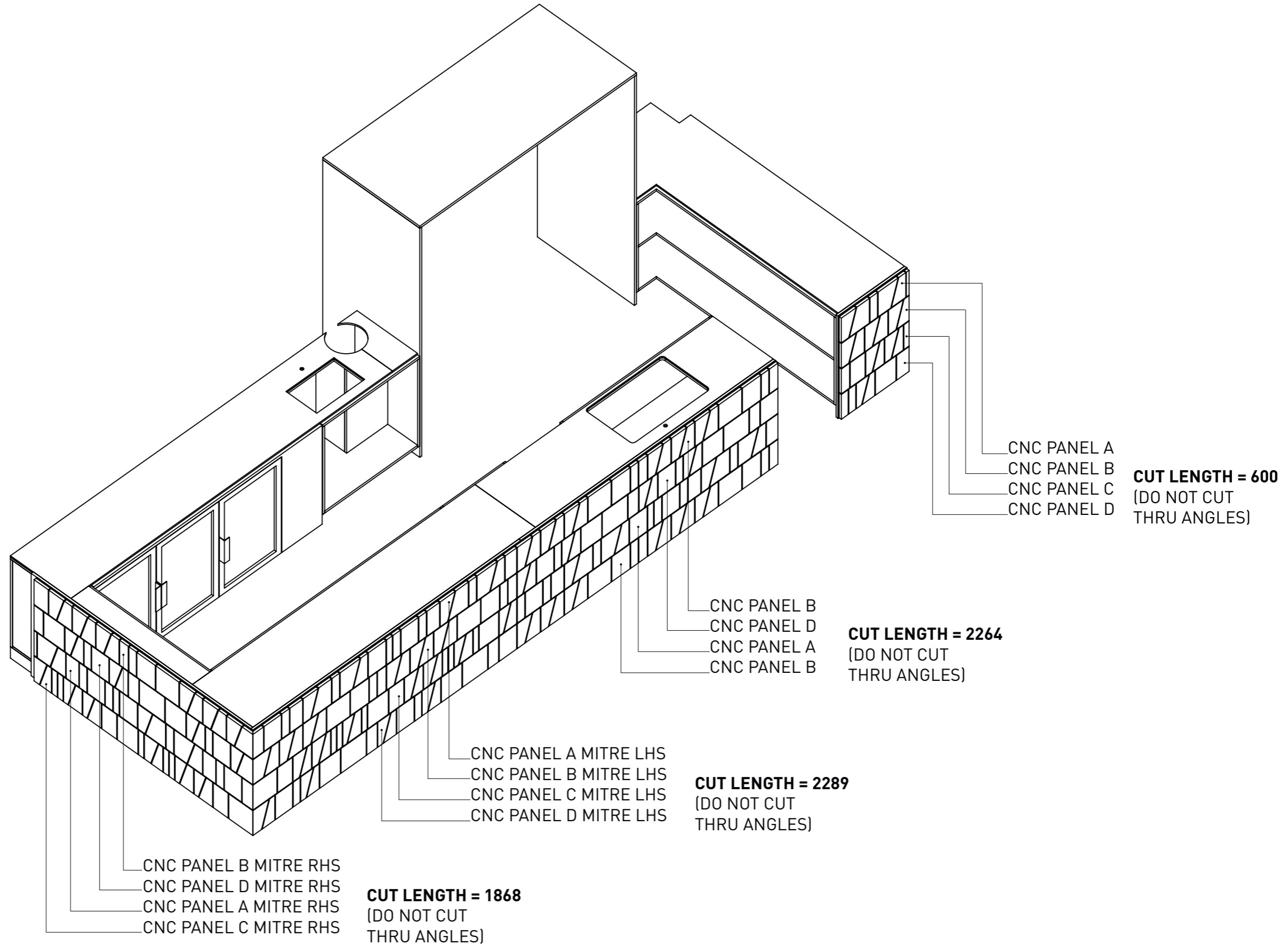
All dimensions are in
millimeters. Please
report any discrepan-
cies in advance, prior
to manufacture.

Isometric View:
Bar Construction
~CNC Panels
~25 MDF

Drawing Size:
A3



Drawing No:
VDN_064



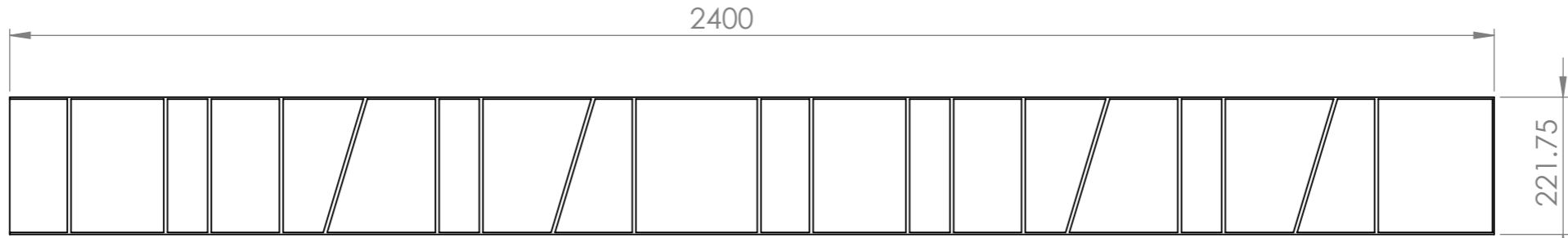


Project:
Vanden by D'vine
Shed

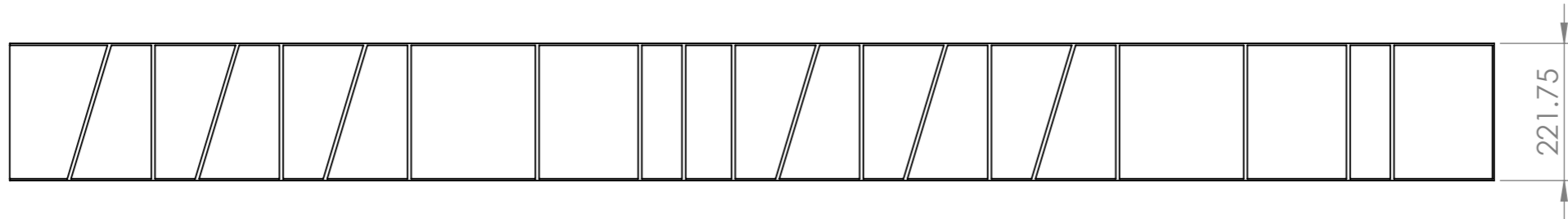
All dimensions are in
millimeters. Please
report any discrepan-
cies in advance, prior
to manufacture.

Isometric View:
Bar Construction
~CNC Panels
~25 MDF

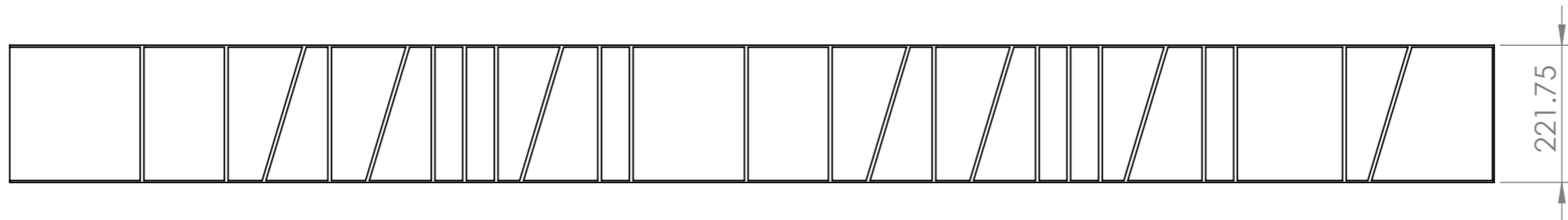
Drawing Size:
A3



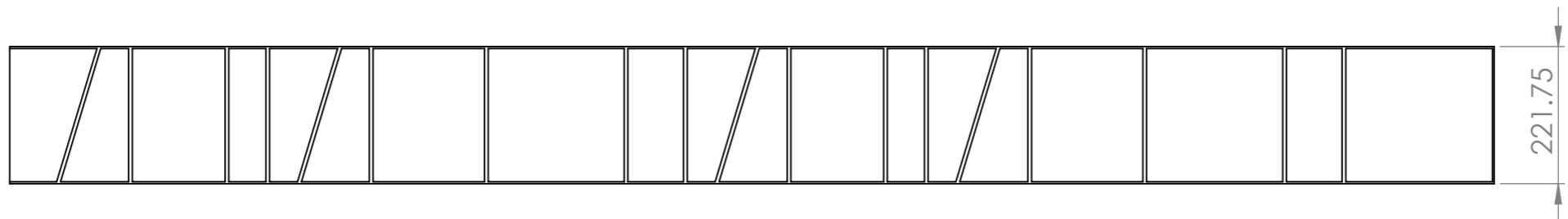
CNC PANEL A
QTY x3



CNC PANEL B
QTY x4



CNC PANEL C
QTY x2



CNC PANEL D
QTY x3



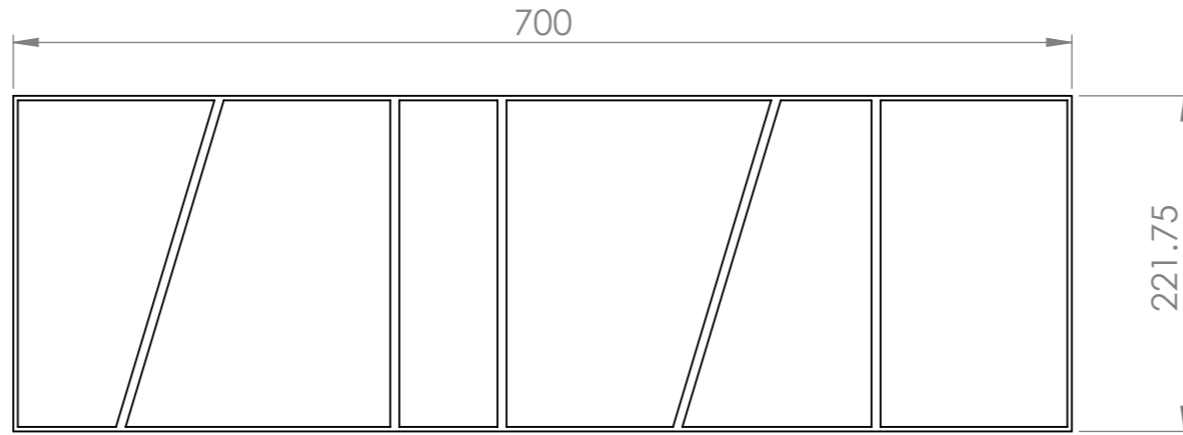
Project:
Vanden by D'vine
Shed

All dimensions are in
millimeters. Please
report any discrepan-
cies in advance, prior
to manufacture.

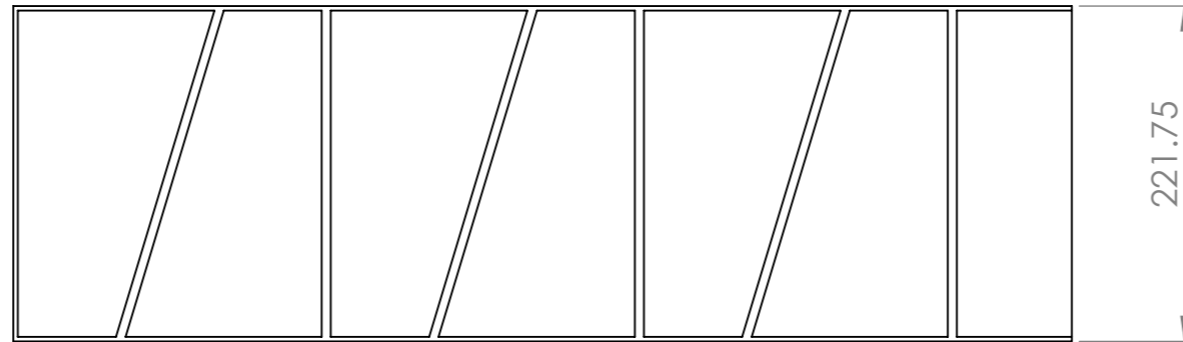
Isometric View:
Bar Construction
~CNC Panels
~25 MDF

Drawing Size:
A3

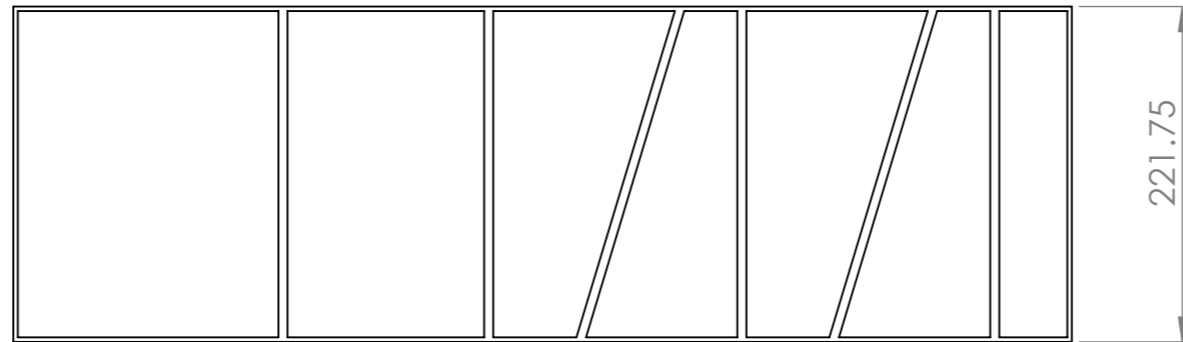
Drawing No:
VDN_066



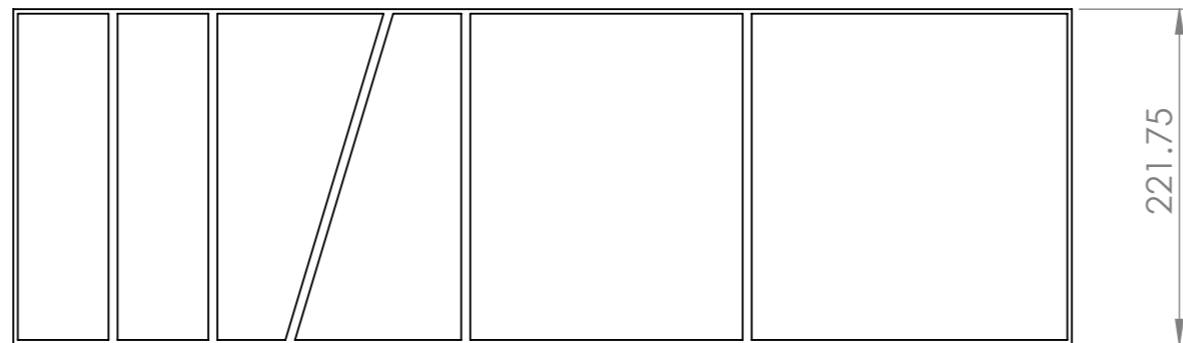
CNC PANEL A @700
QTY x1



CNC PANEL B @700
QTY x1



CNC PANEL C @700
QTY x1



CNC PANEL D @700
QTY x1



Project:
Vanden by D'vine
Shed

Base Bar Details - Metal Frame

Drawing No:
VDN_067

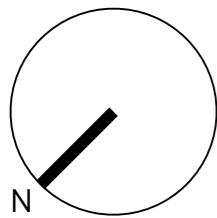
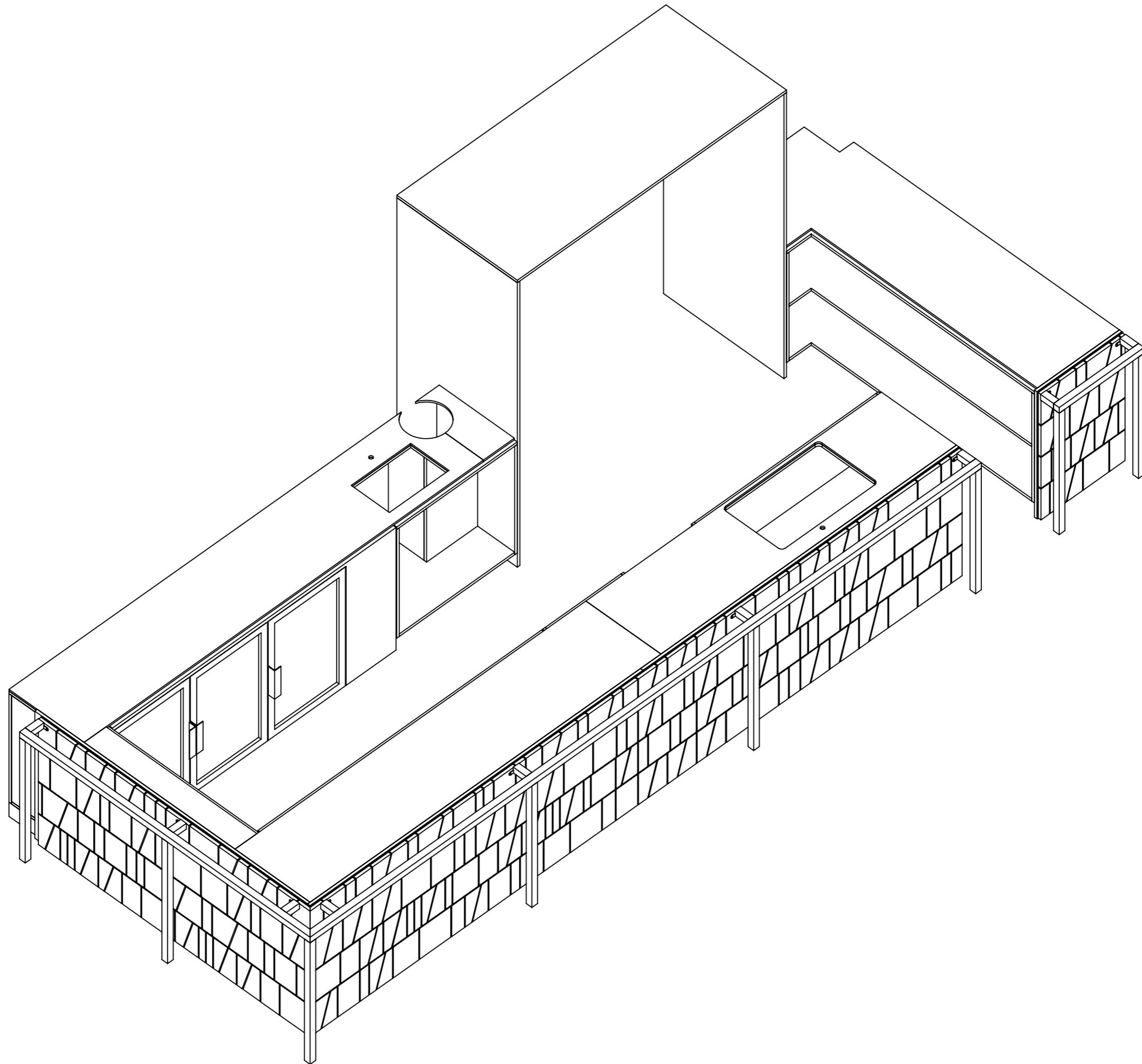


Project:
Vanden by D'vine
Shed

All dimensions are in
millimeters. Please
report any discrepan-
cies in advance, prior
to manufacture.

Isometric View:
Bar Construction
~40x40 RHS
~Mild Steel

Drawing Size:
A3



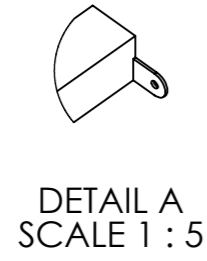


Project:
Vanden by D'vine
Shed

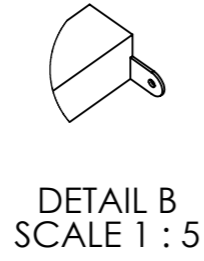
All dimensions are in
millimeters. Please
report any discrepan-
cies in advance, prior
to manufacture.

Isometric View:
Bar Construction
~40x40 RHS
~Mild Steel
~Powder Coat Black
Satin

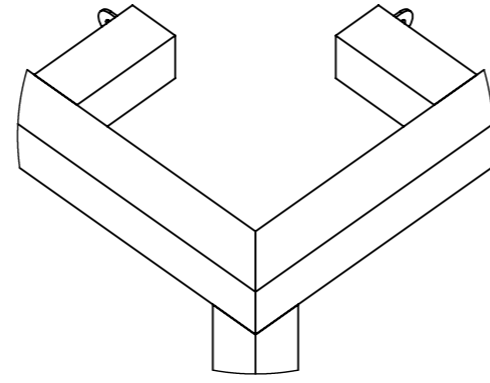
Drawing Size:
A3



DETAIL A
SCALE 1 : 5



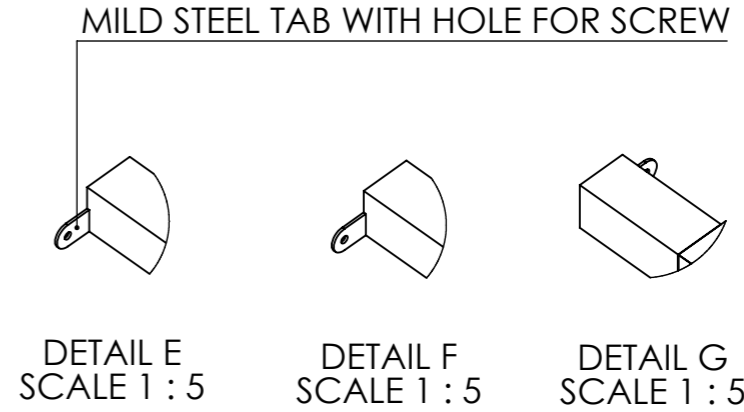
DETAIL B
SCALE 1 : 5



DETAIL C
SCALE 1 : 5



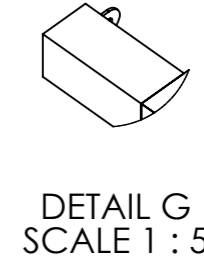
DETAIL D
SCALE 1 : 5



DETAIL E
SCALE 1 : 5



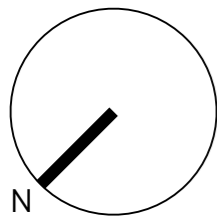
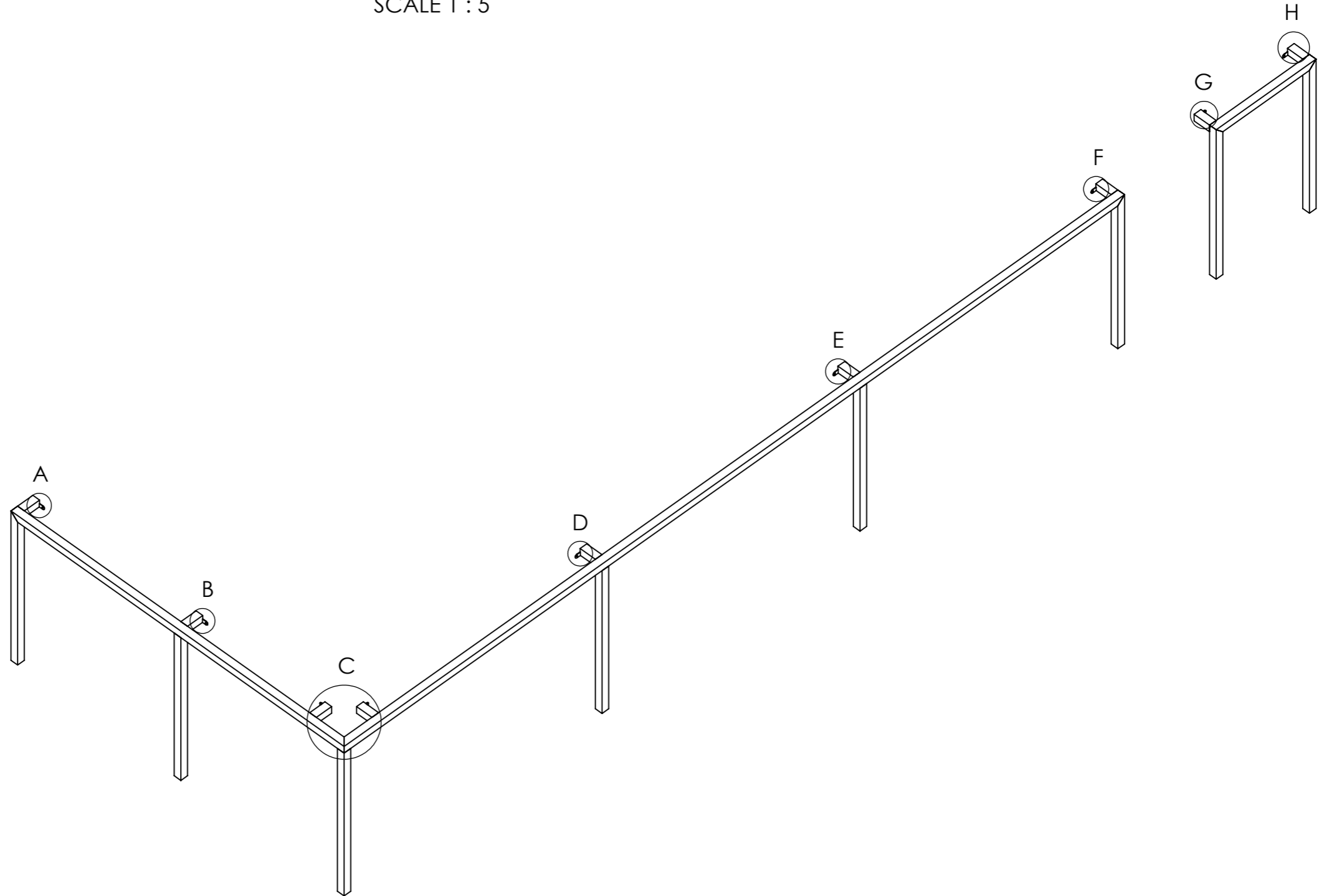
DETAIL F
SCALE 1 : 5



DETAIL G
SCALE 1 : 5



DETAIL H
SCALE 1 : 5



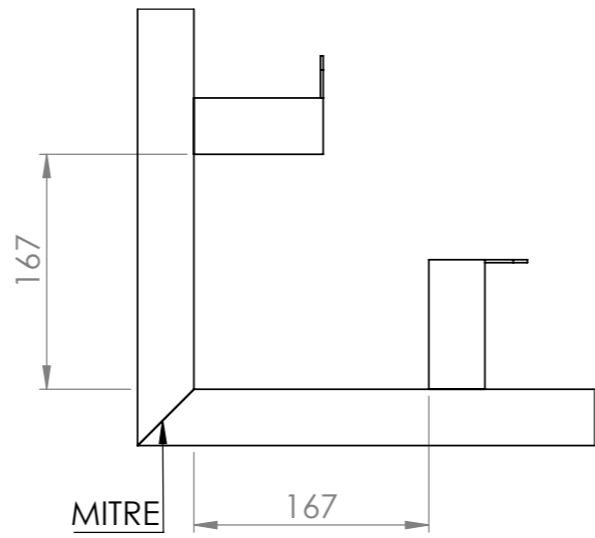
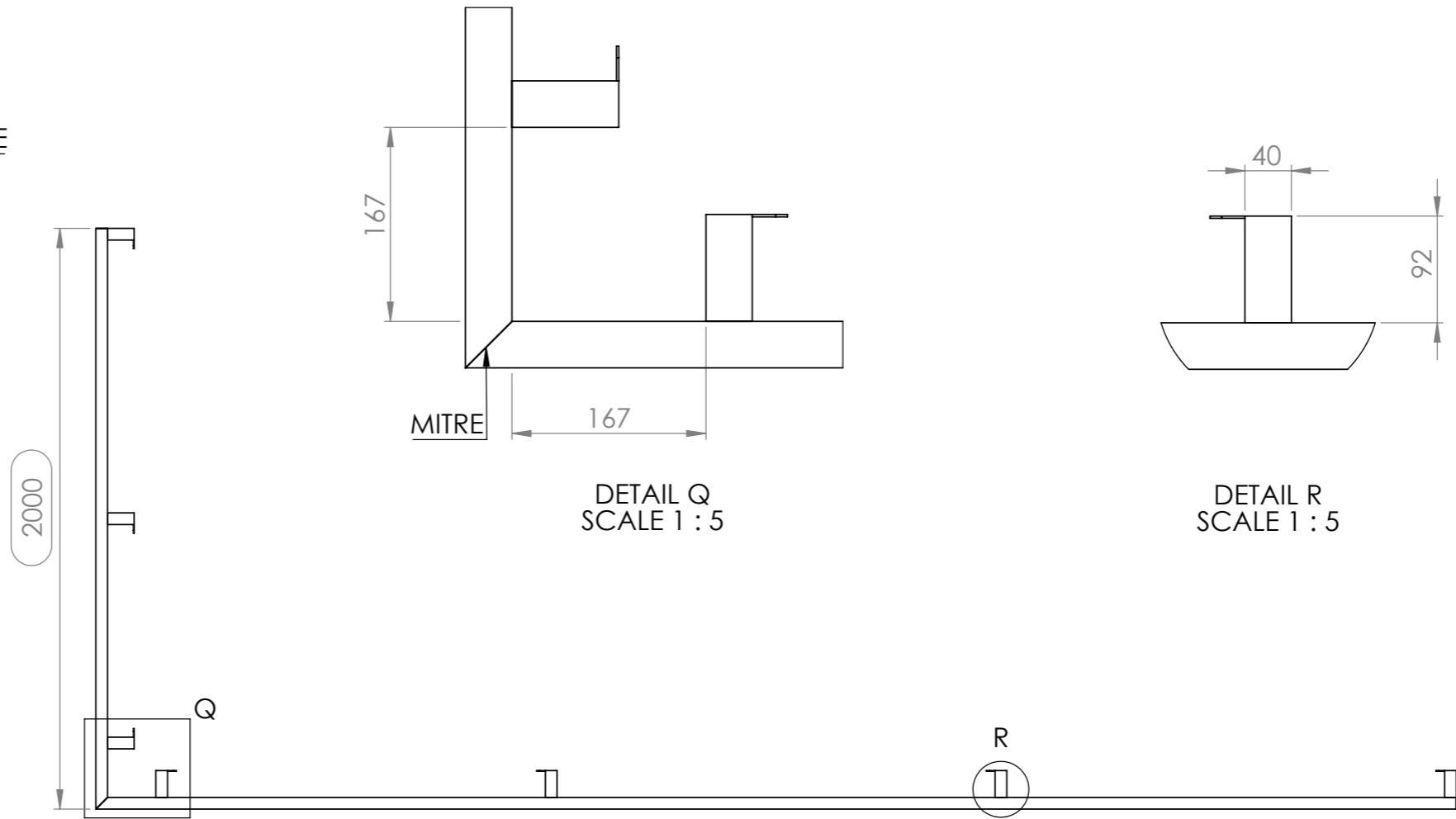
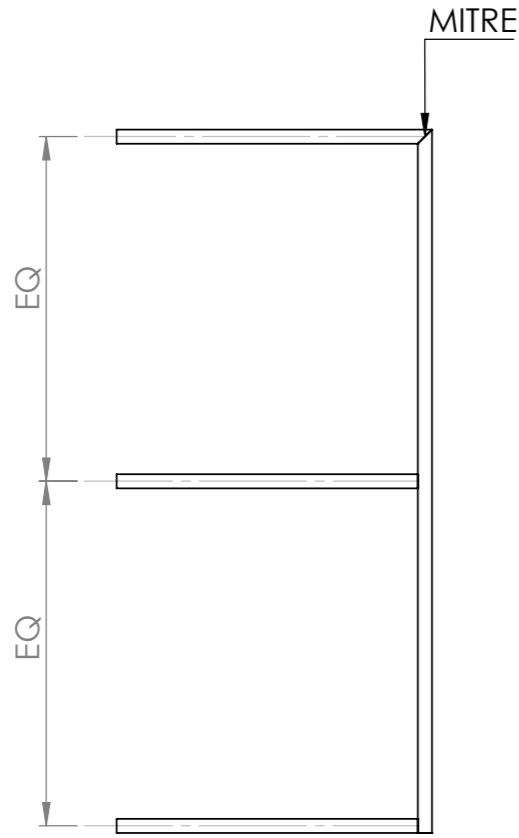


Project:
Vanden by D'vine
Shed

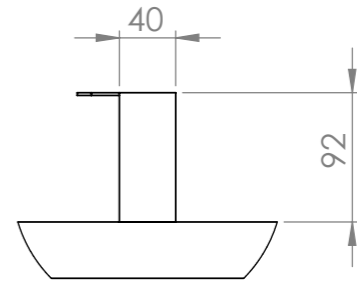
All dimensions are in
millimeters. Please
report any discrepan-
cies in advance, prior
to manufacture.

Isometric View:
Bar Construction
~40x40 RHS
~Mild Steel
~Powder Coat Black
Satin

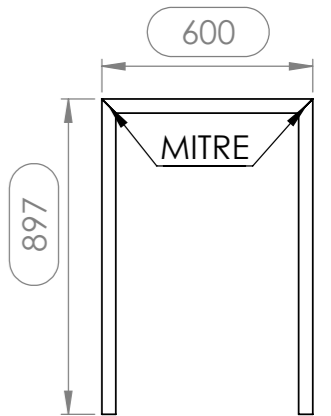
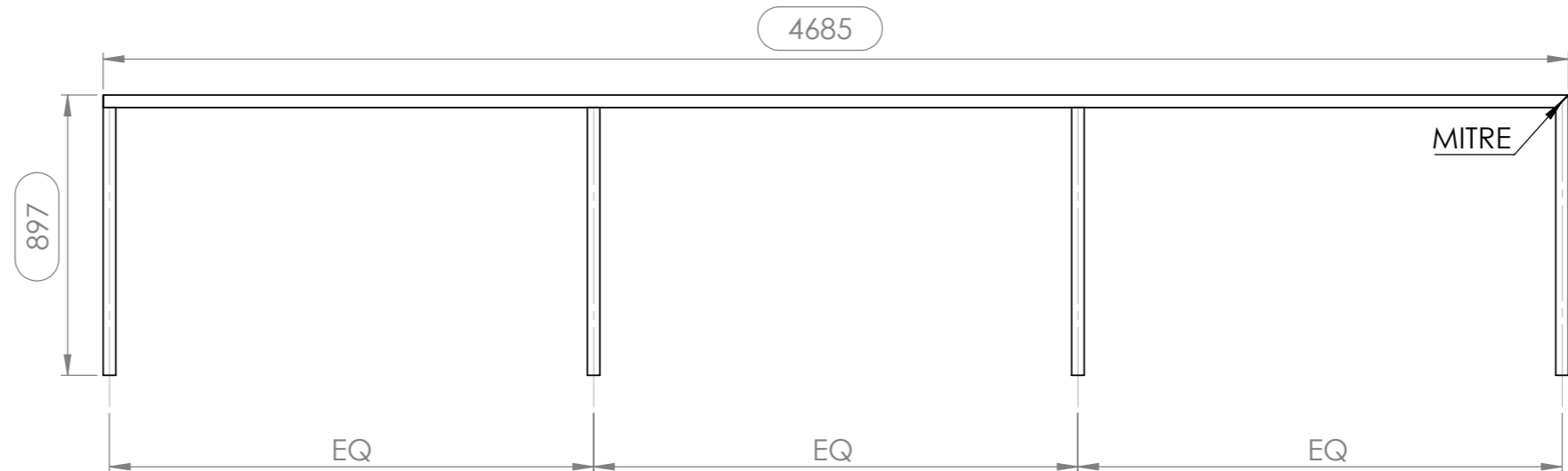
Drawing Size:
A3



DETAIL Q
SCALE 1 : 5



DETAIL R
SCALE 1 : 5





Project:
Vanden by D'vine
Shed

Base Bar Details - Dekton

Drawing No:
VDN_071

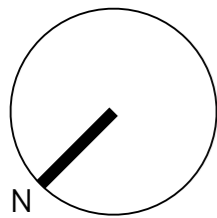


Project:
Vanden by D'vine
Shed

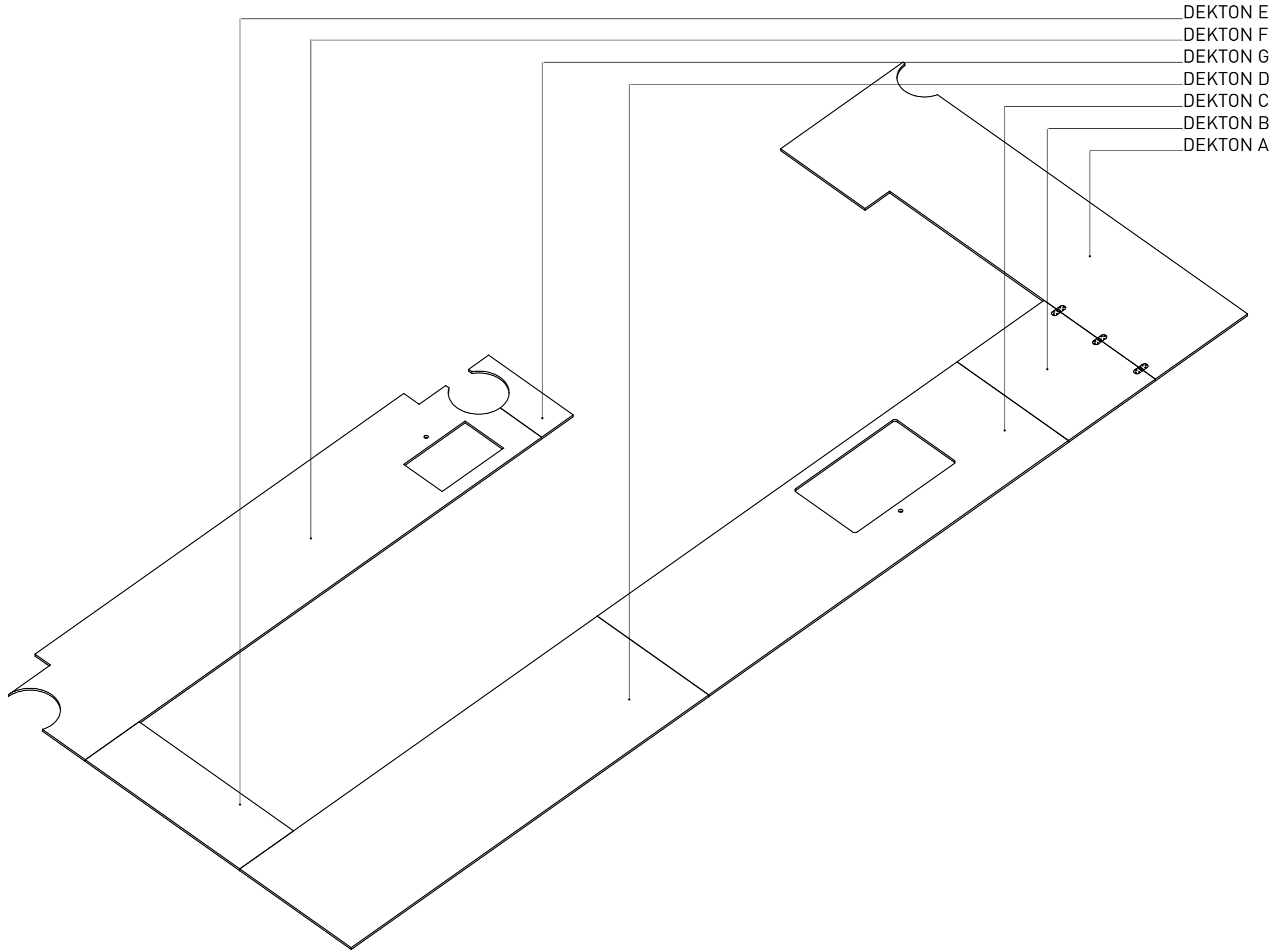
All dimensions are in
millimeters. Please
report any discrepan-
cies in advance, prior
to manufacture.

Isometric View:
Bar Construction
~12 Dekton (Kreta)

Drawing Size:
A3



Drawing No:
VDN_072



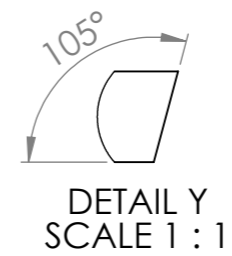
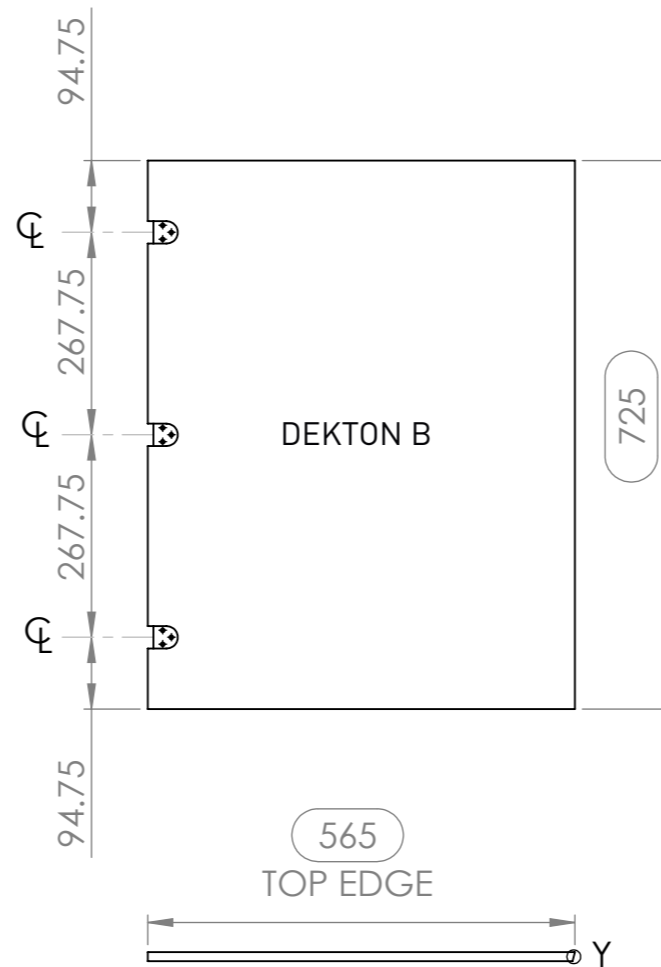
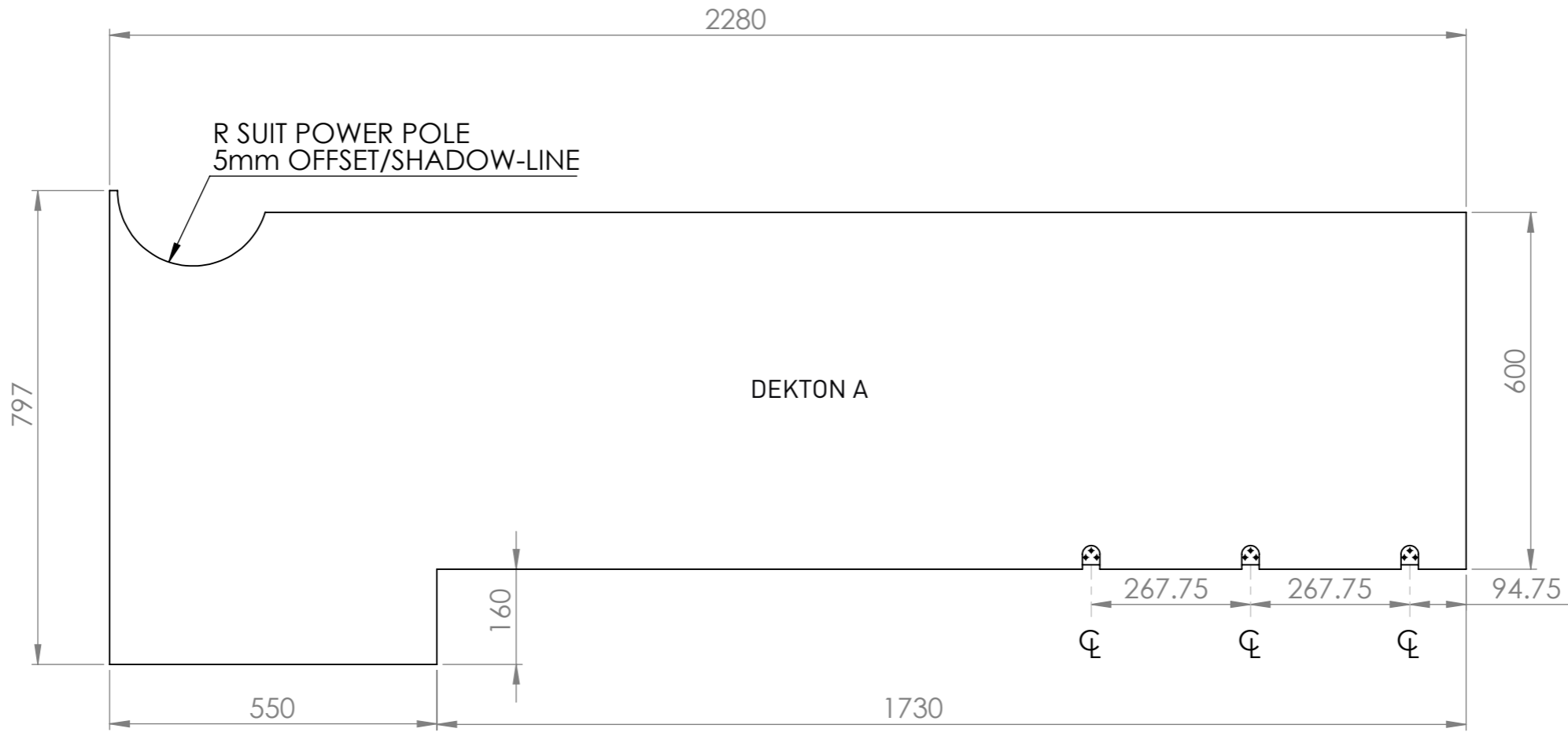


Project:
Vanden by D'vine
Shed

All dimensions are in
millimeters. Please
report any discrepan-
cies in advance, prior
to manufacture.

TopView:
Bar Construction
~12 Dekton (Kreta)

Drawing Size:
A3



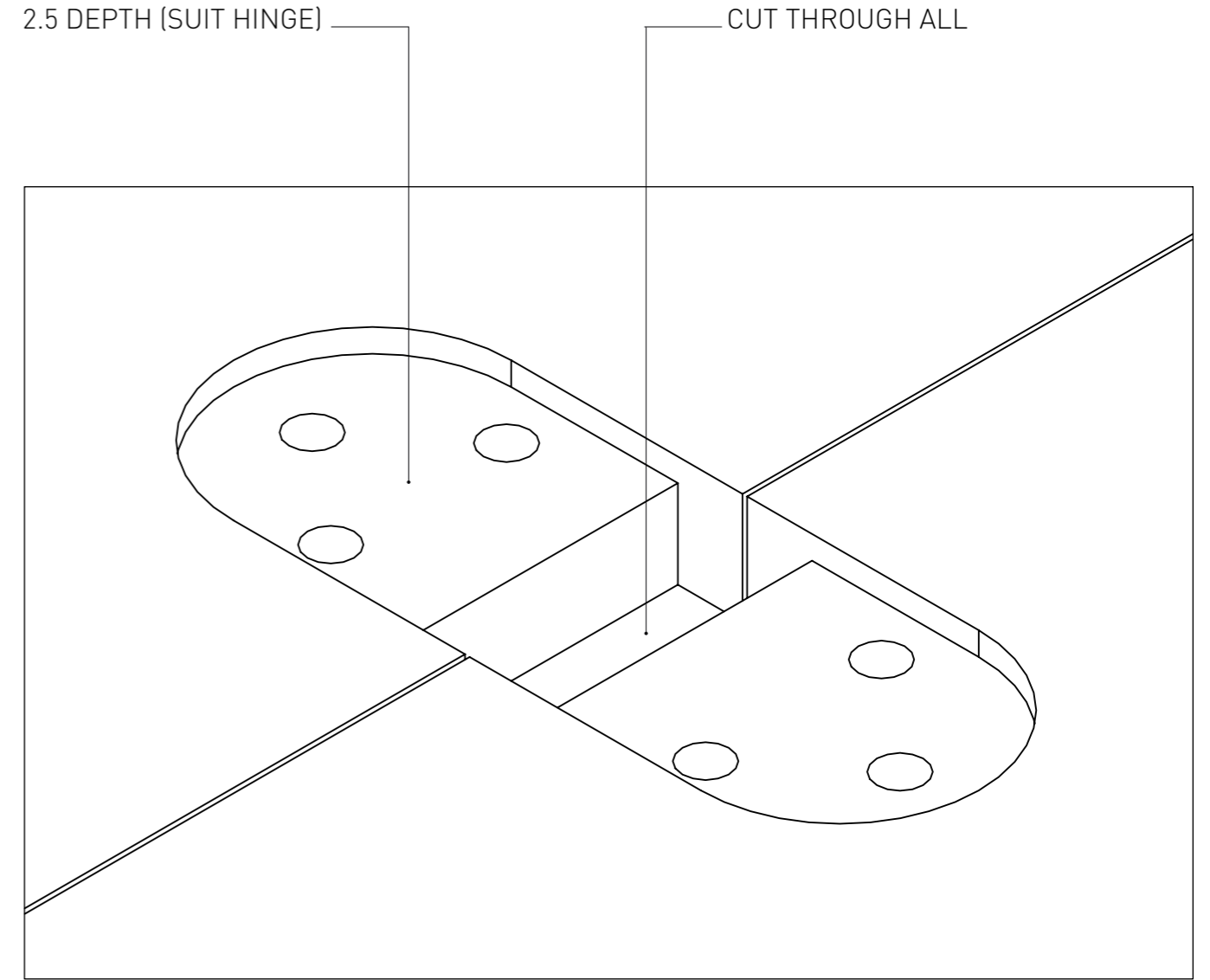
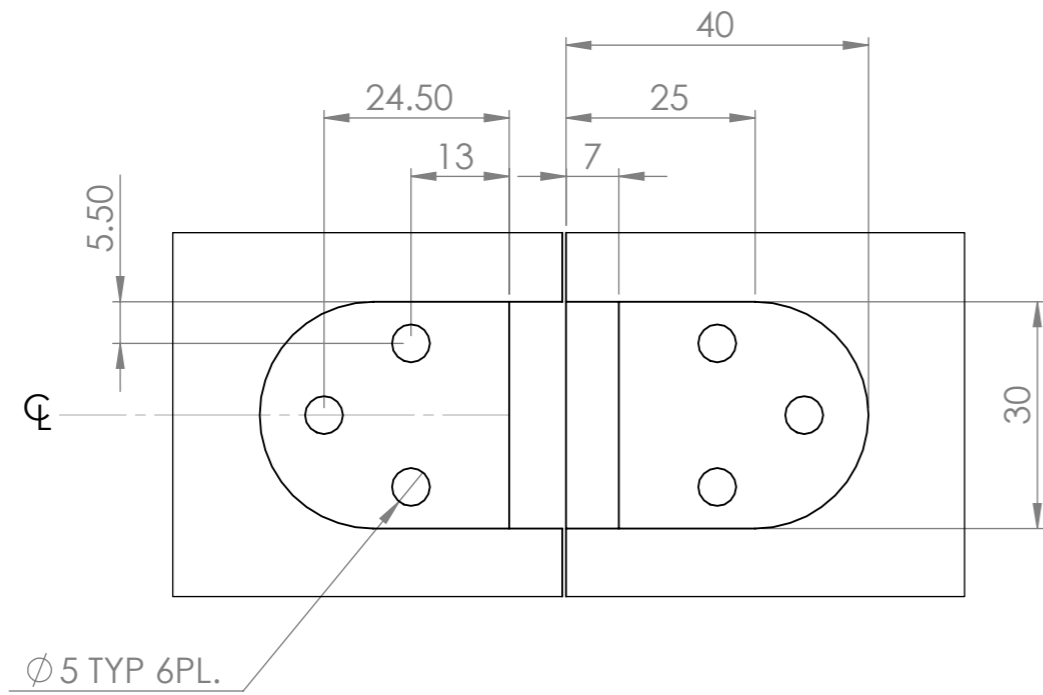


Project:
Vanden by D'vine
Shed

All dimensions are in
millimeters. Please
report any discrepan-
cies in advance, prior
to manufacture.

TopView:
Bar Construction
~12 Dekton (Kreta)

Drawing Size:
A3



DETAIL BD
SCALE 2 : 1

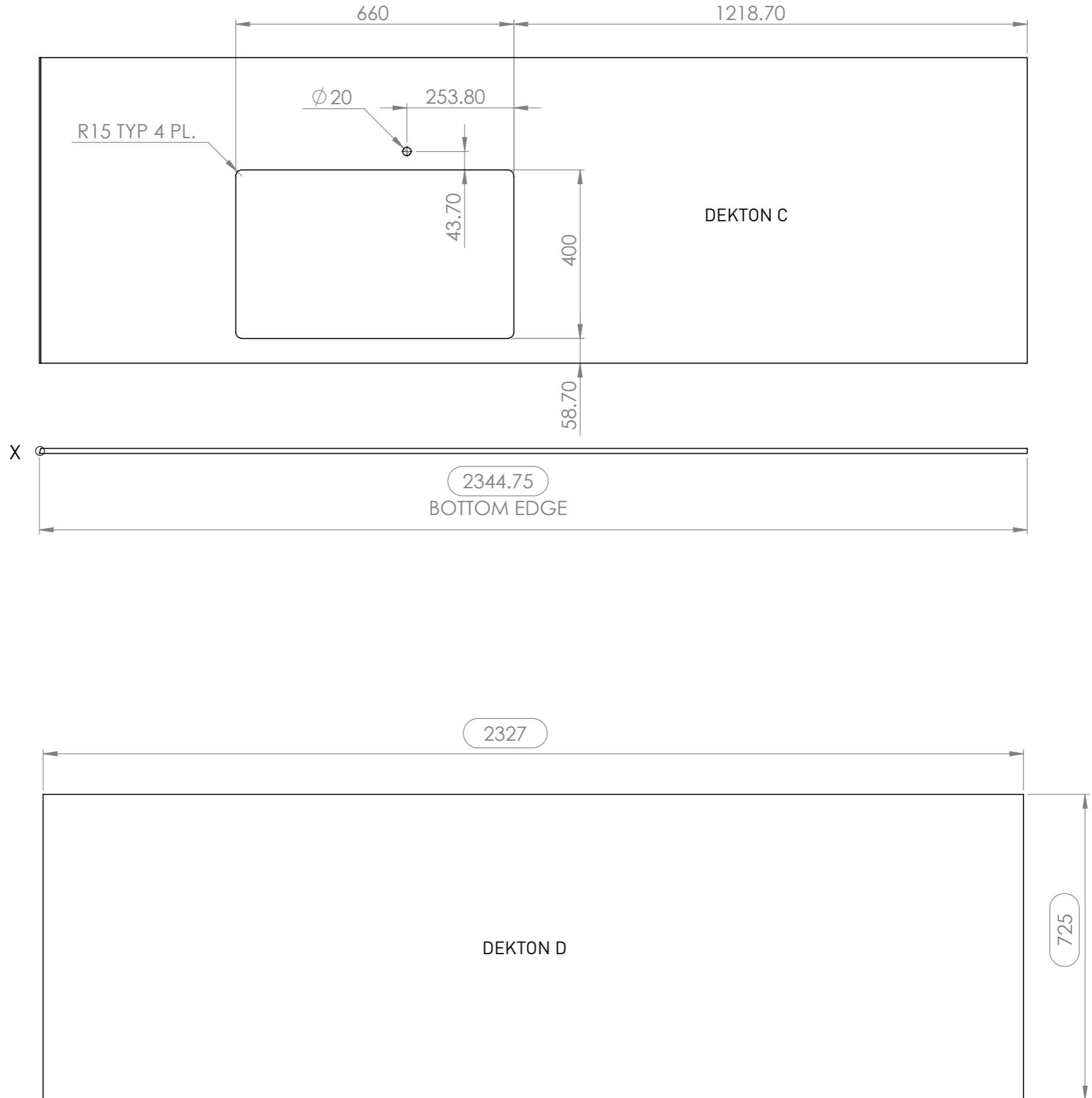


Project:
Vanden by D'vine
Shed

All dimensions are in
millimeters. Please
report any discrepan-
cies in advance, prior
to manufacture.

TopView:
Bar Construction
~12 Dekton (Kreta)

Drawing Size:
A3



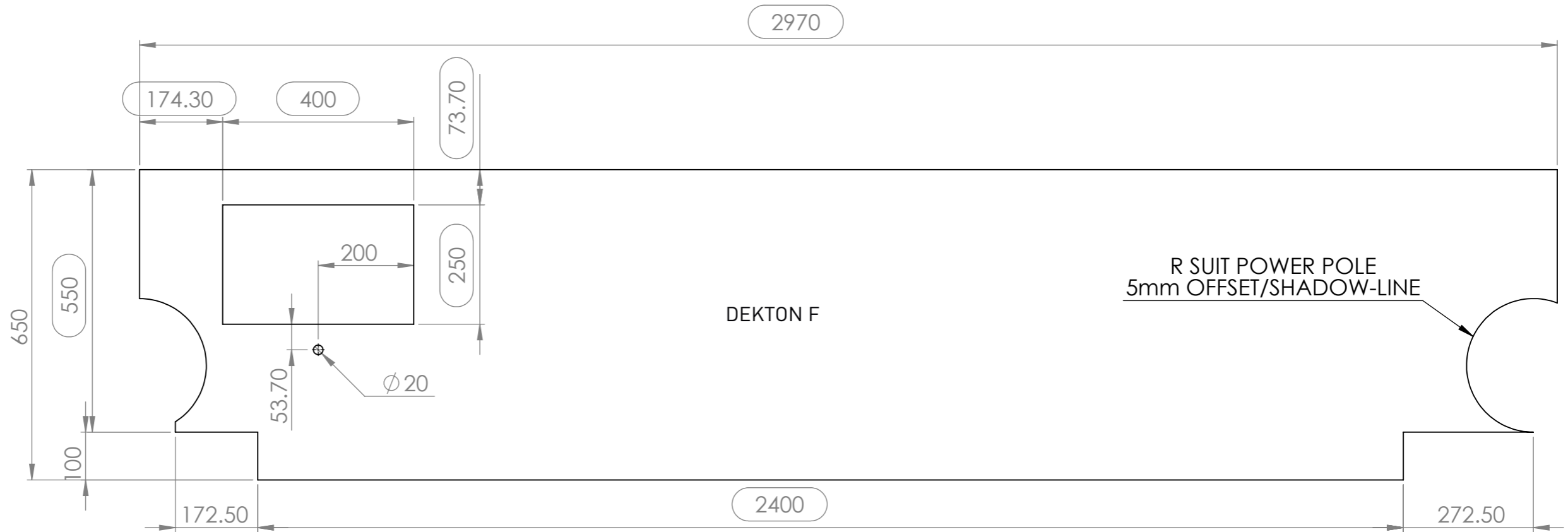
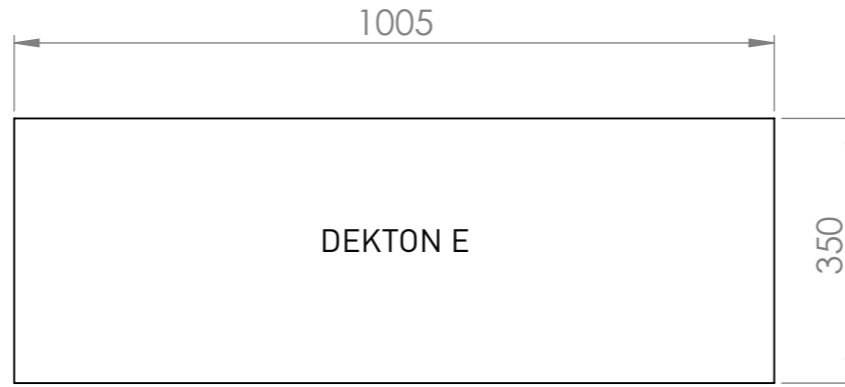


Project:
Vanden by D'vine
Shed

All dimensions are in
millimeters. Please
report any discrepan-
cies in advance, prior
to manufacture.

TopView:
Bar Construction
~12 Dekton (Kreta)

Drawing Size:
A3



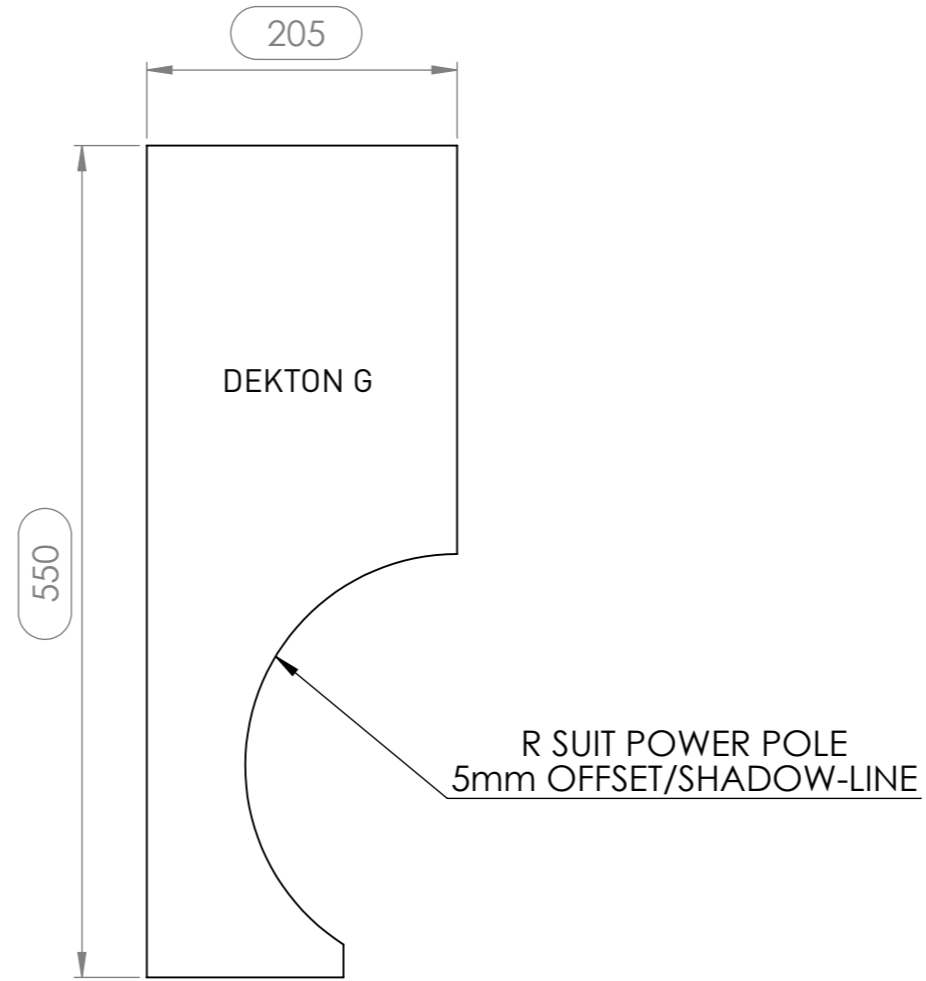


Project:
Vanden by D'vine
Shed

All dimensions are in
millimeters. Please
report any discrepan-
cies in advance, prior
to manufacture.

TopView:
Bar Construction
~12 Dekton (Kreta)

Drawing Size:
A3





Project:
Vanden by D'vine
Shed

Furniture Selections - Sizes

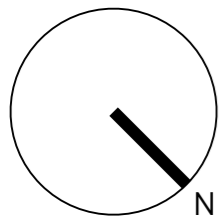
Drawing No:
VDN_078



Project:
Vanden by D'vine
Shed

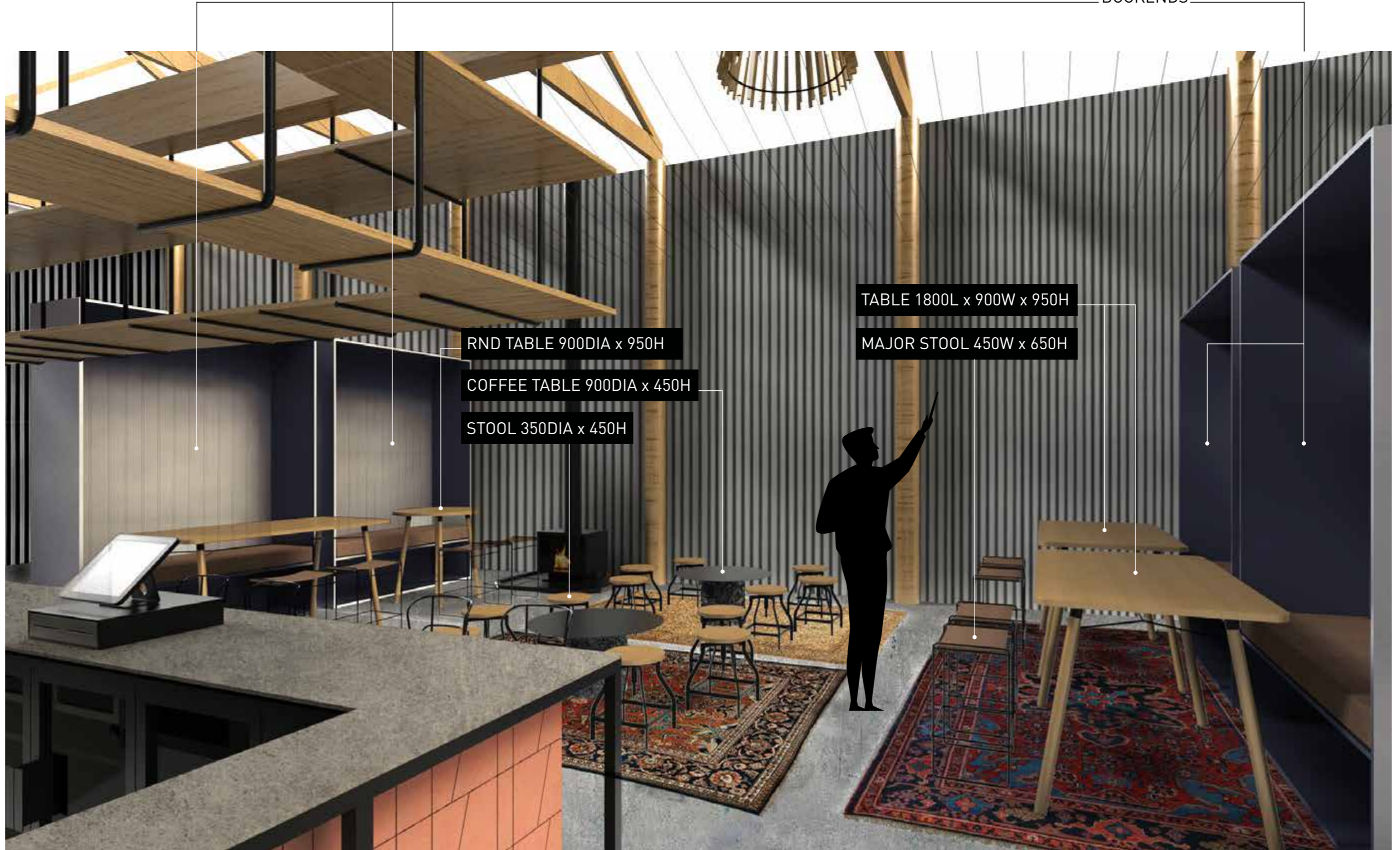
Render:
Interior Furniture

Drawing Size:
A3



Drawing No:
VDN_079

BOOKENDS



RND TABLE 900DIA x 950H

COFFEE TABLE 900DIA x 450H

STOOL 350DIA x 450H

TABLE 1800L x 900W x 950H

MAJOR STOOL 450W x 650H



Project:
Vanden by D'vine
Shed

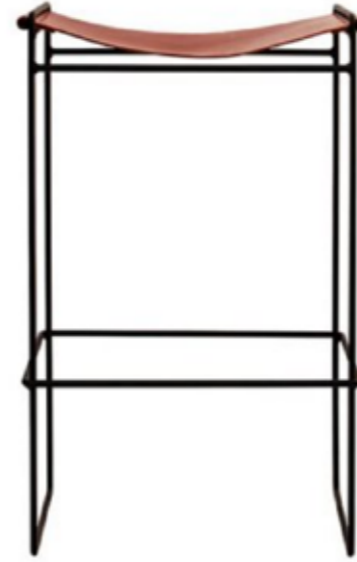
Selections:
Intimate Zone
Drawing Size
A3



DESIGN BY THEM
CONFETTI COFFEE TABLE (QTY x2)
\$1,180.00 + GST
TRADE: \$TBA



HOSPITALITY FURNITURE
TURNER STOOL LOW (QTY x12)
\$139.00 + GST
TRADE: \$TBA



AGOSTINO & BROWN
MAJOR STOOL (QTY x 8)
\$310.00 + GST
TRADE: \$TBA



DESIGN BY THEM
PARTRIDGE 3 LEG BAR STOOL
WITH BACK REST (QTY x4)
\$780.00 +GST
TRADE: \$638.00 + GST



DESIGN BY THEM
PARTRIDGE RECTANGLE BAR TABLE (QTY x3)
\$2,900.00 + GST
TRADE: \$TBA



DESIGN BY THEM
PARTRIDGE ROUND BAR TABLE (QTY x1)
\$1,820.00 + GST
TRADE: \$TBA



AG CUSTOM CABINET (QTY x4)
\$TO BE QUOTED BY CABINET MAKER



Project:
Vanden by D'vine
Shed

Bookend - Joinery

Drawing No:
VDN_081



Project:
Vanden by D'vine
Shed

Render:
Book End

Drawing Size:
A3



MOVE IT
125mm SWIVEL BRAKE CASTOR
\$42.00ea (Bunnings).



CUSHION TREATMENT

(Qty x4)



DULUX MARAIS





Project:
Vanden by D'vine
Shed

All dimensions are in
millimeters. Please
report any discrepan-
cies in advance, prior
to manufacture.

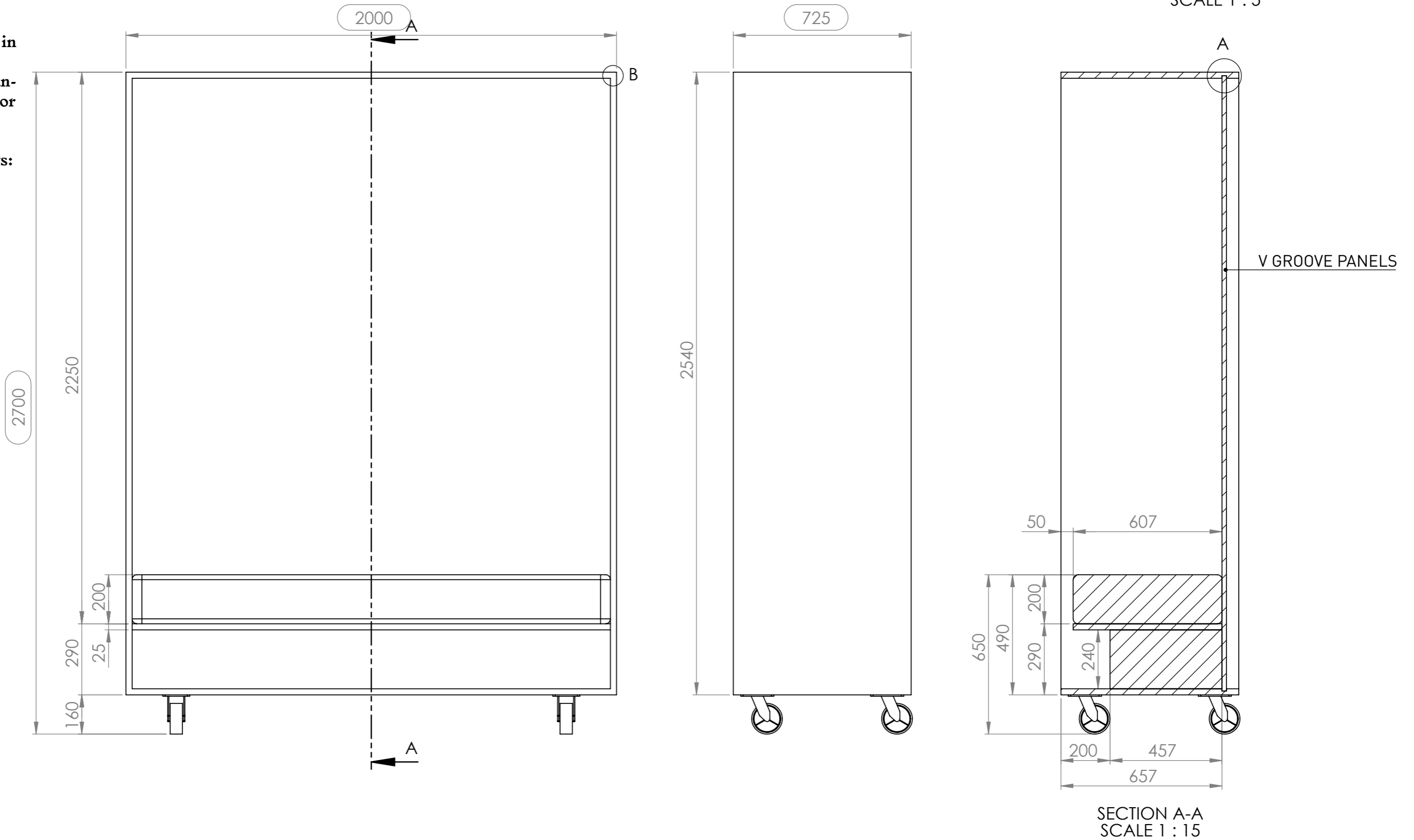
Orthographic Views:
Bookend
Construction
~25 MDF
~9 V Grooved Ply

Drawing Size:
A3

Drawing No:
VDN_083

MITRE JOINT TO
EACH CORNER
DETAIL B
SCALE 1 : 5

V GROOVE PANELS
REBATED INTO 25 MDF ON
ALL SIDES
x2 9 V GROOVE PANELS
LAMINATED TOGETHER
DETAIL A
SCALE 1 : 5





Project:
Vanden by D'vine
Shed

Rug Sizes

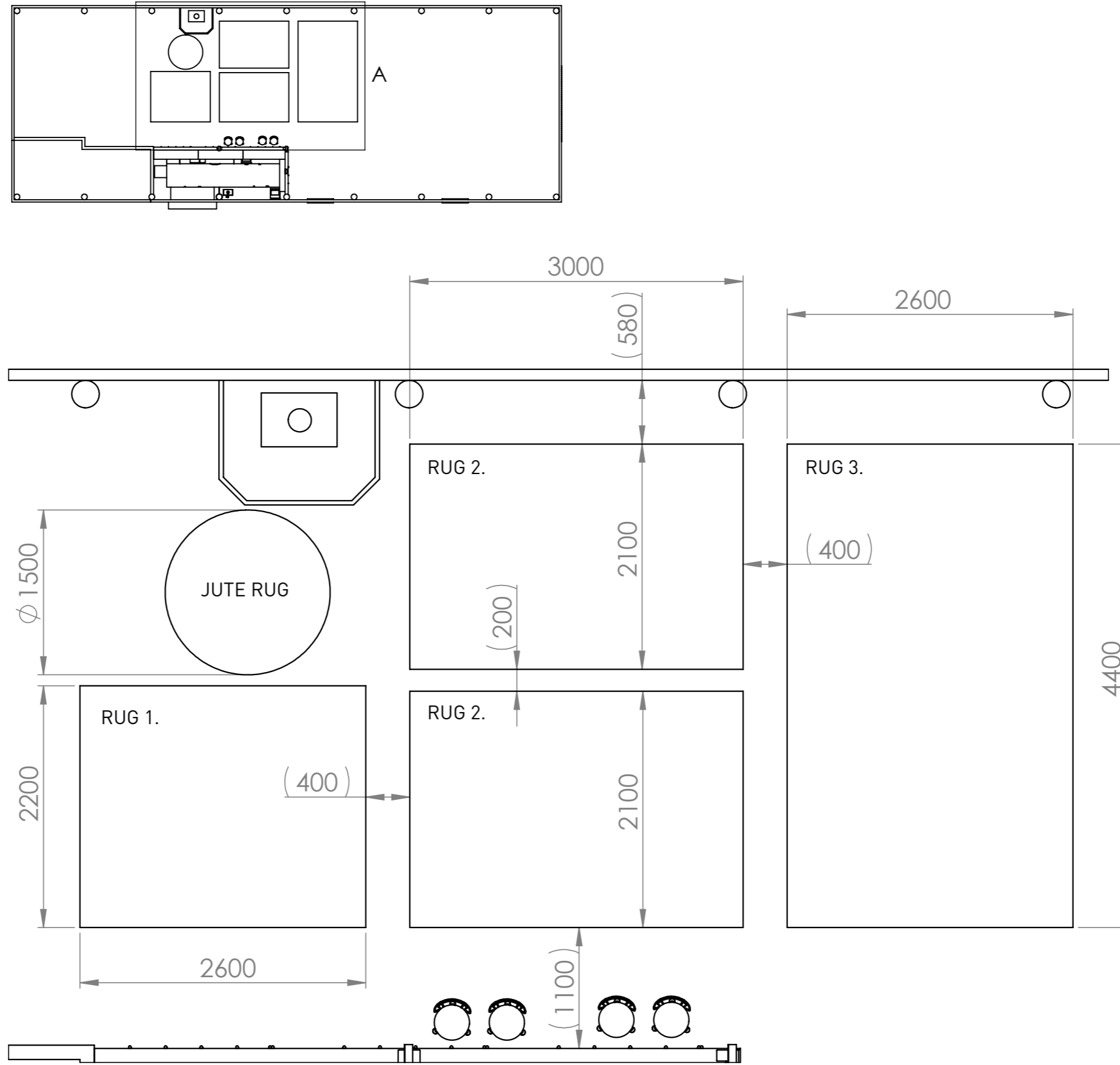


Project:
Vanden by D'vine
Shed

All dimensions are in
millimeters. Please
report any discrepan-
cies in advance, prior
to manufacture.

Persian Rug Sizes

Drawing Size:
A3



DETAIL A
SCALE 1 : 50

Project:
Vanden by D'vine
Shed

andrew@
andreweden.com.au
@designbyag

Drawing No:
VDN_086