



Project:
Gilbert Street Hotel

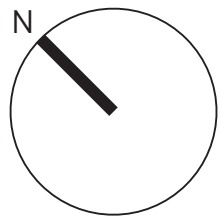
All dimensions are in millimeters. Please report any discrepancies in advance, prior to manufacture.

COS = Check On Site

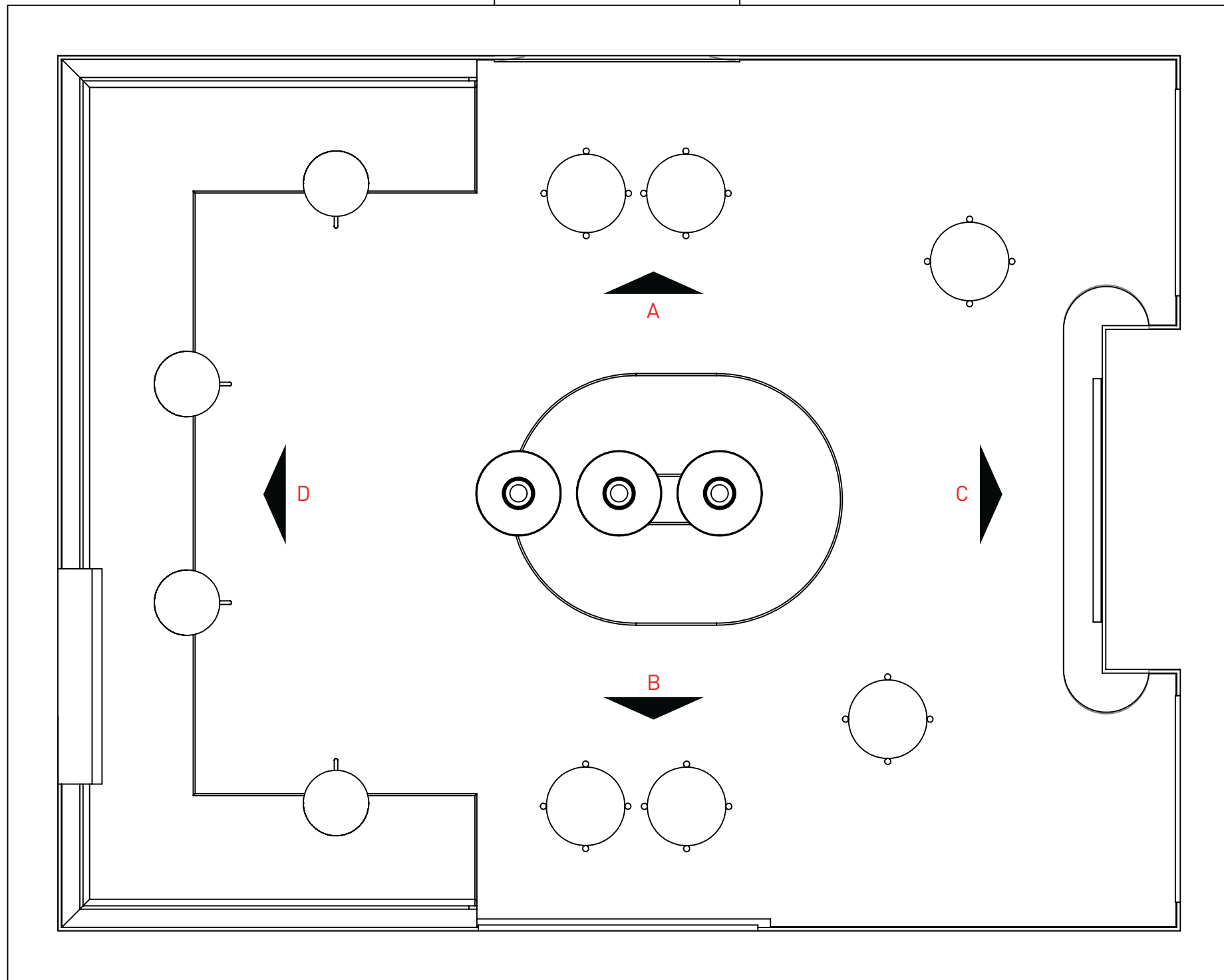
Details 1.0
Floor Plan

Drawing Size:
A3

Drawing Scale:
1:25



Drawing No:
GBT_001



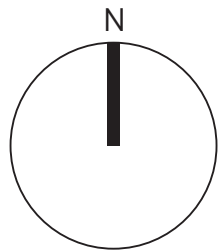


Project:
Gilbert Street Hotel

All dimensions are in millimeters. Please report any discrepancies in advance, prior to manufacture.

Concept 1.0
Perspective
Elevation C_

Drawing Size:
A3



Drawing No:
GBT_002



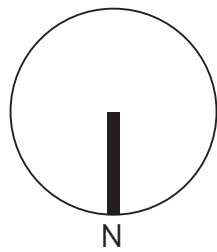


Project:
Gilbert Street Hotel

All dimensions are in millimeters. Please report any discrepancies in advance, prior to manufacture.

Concept 1.0
Perspective
Elevation D_

Drawing Size:
A3



Drawing No:
GBT_003





Project:
Gilbert Street Hotel

All dimensions are in millimeters. Please report any discrepancies in advance, prior to manufacture.

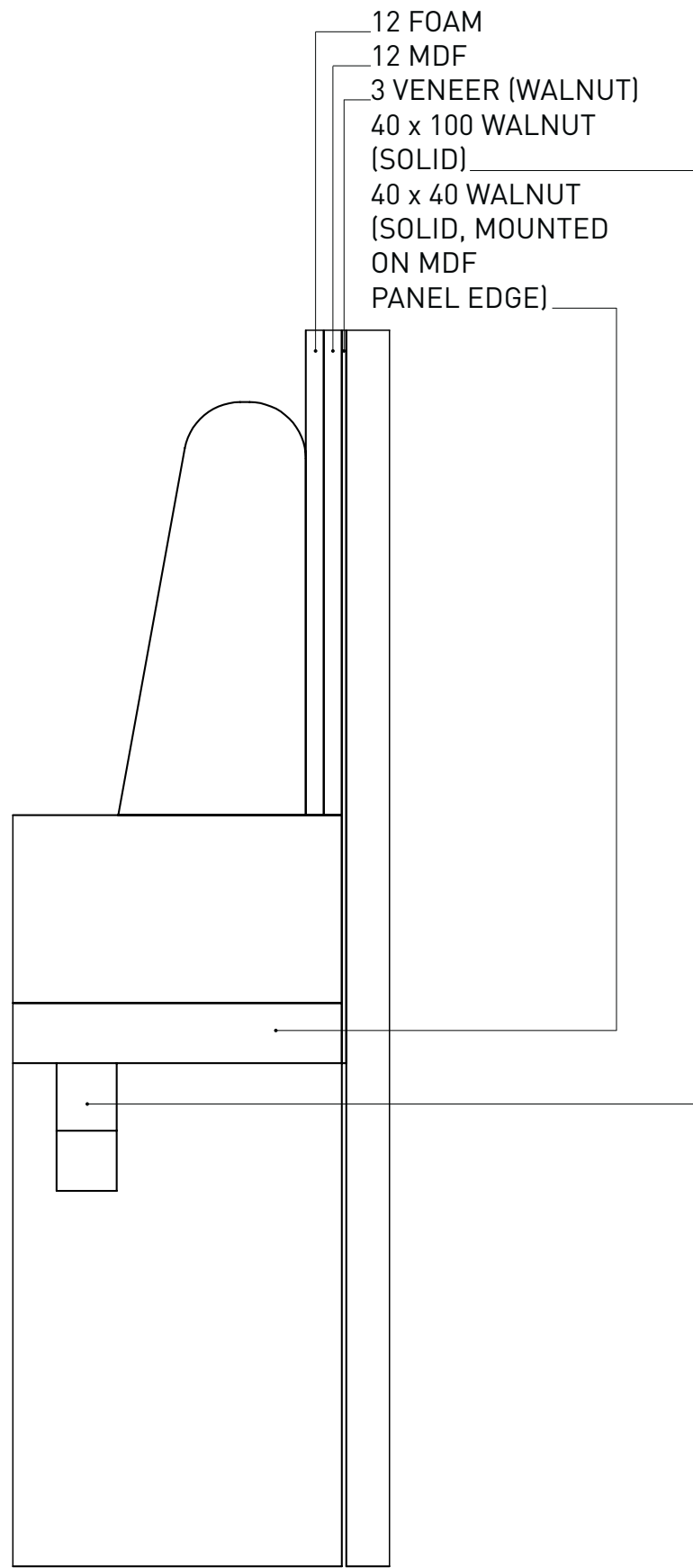
Concept 1.0
Section 1_

Drawing Size:
A3

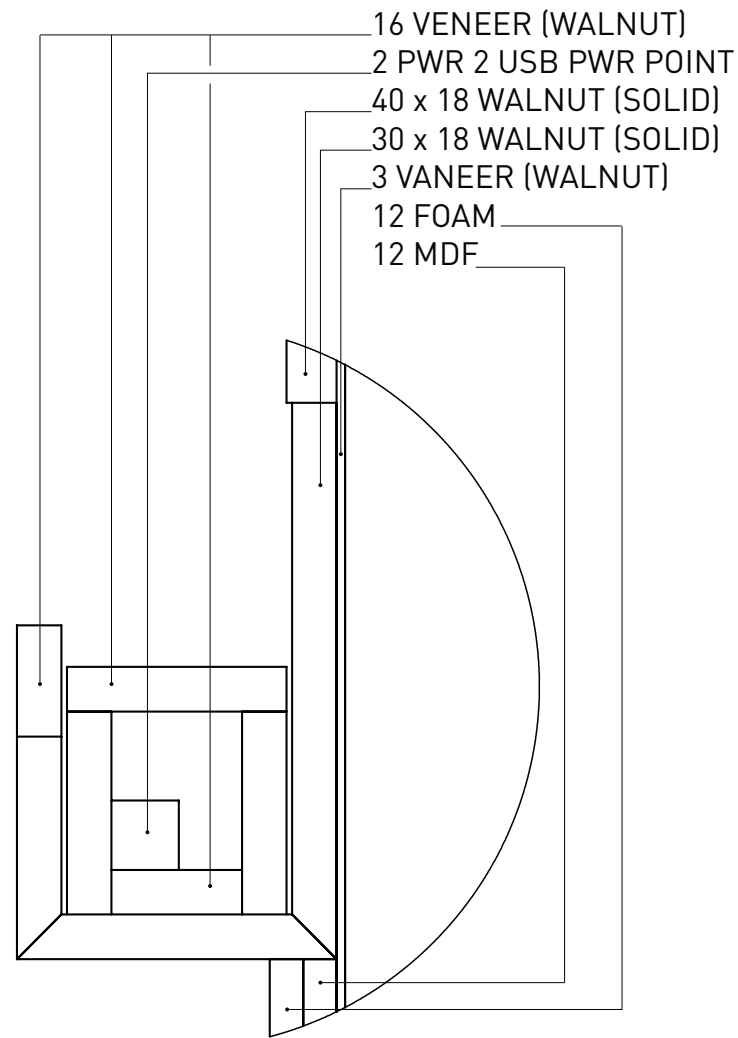
Drawing Scale:
1:25



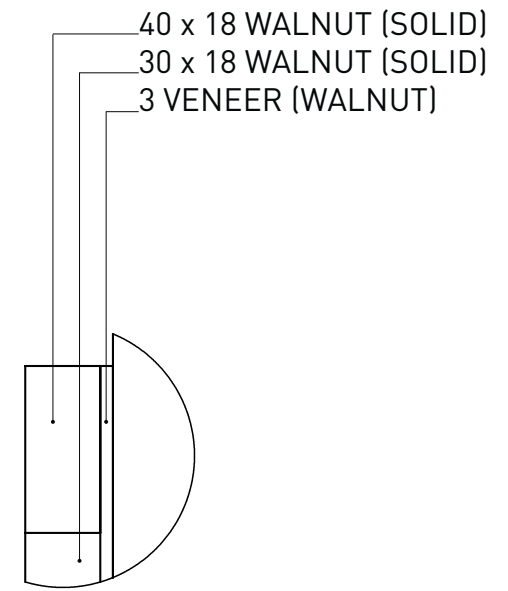
Drawing No:
GBT_004



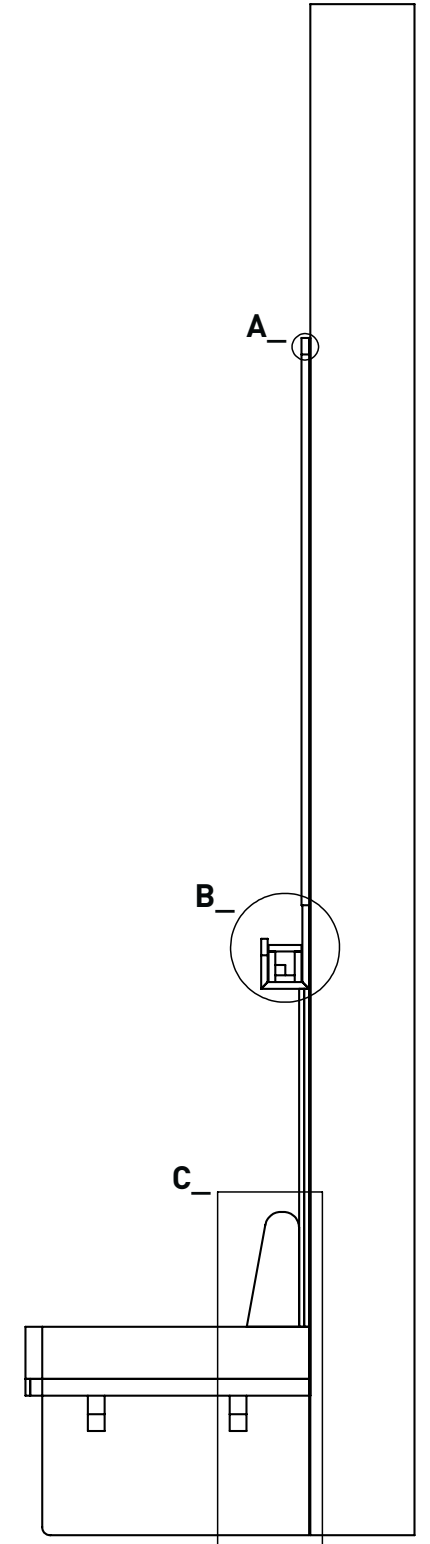
DETAIL C_



DETAIL B_



DETAIL A_



0407 585 578



Project:
Gilbert Street Hotel

Wall Panelling

ANDREW@ANDREWEDEN.COM.AU

ANDY EDEN

Drawing No:
GBT_005



Project:
Gilbert Street Hotel

All dimensions are in millimeters. Please report any discrepancies in advance, prior to manufacture.

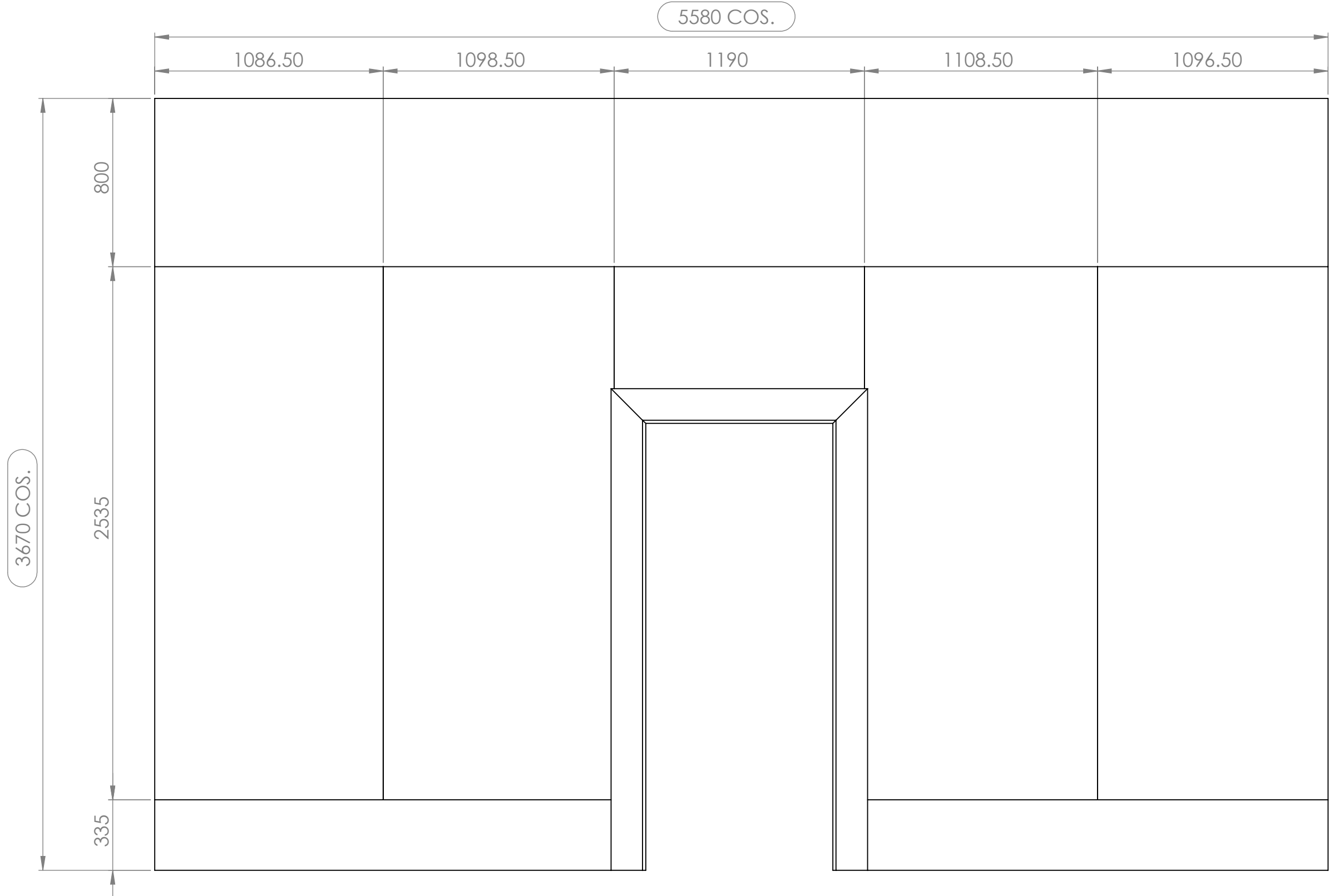
COS = Check On Site

Details 1.0
Drawing Size:
A3

Wall Panelling:
3mm American
Walnut Veneer
Elevation A_

Finish:
Spray ~ Loba
Matt Finish

Drawing No:
GBT_006





Project:
Gilbert Street Hotel

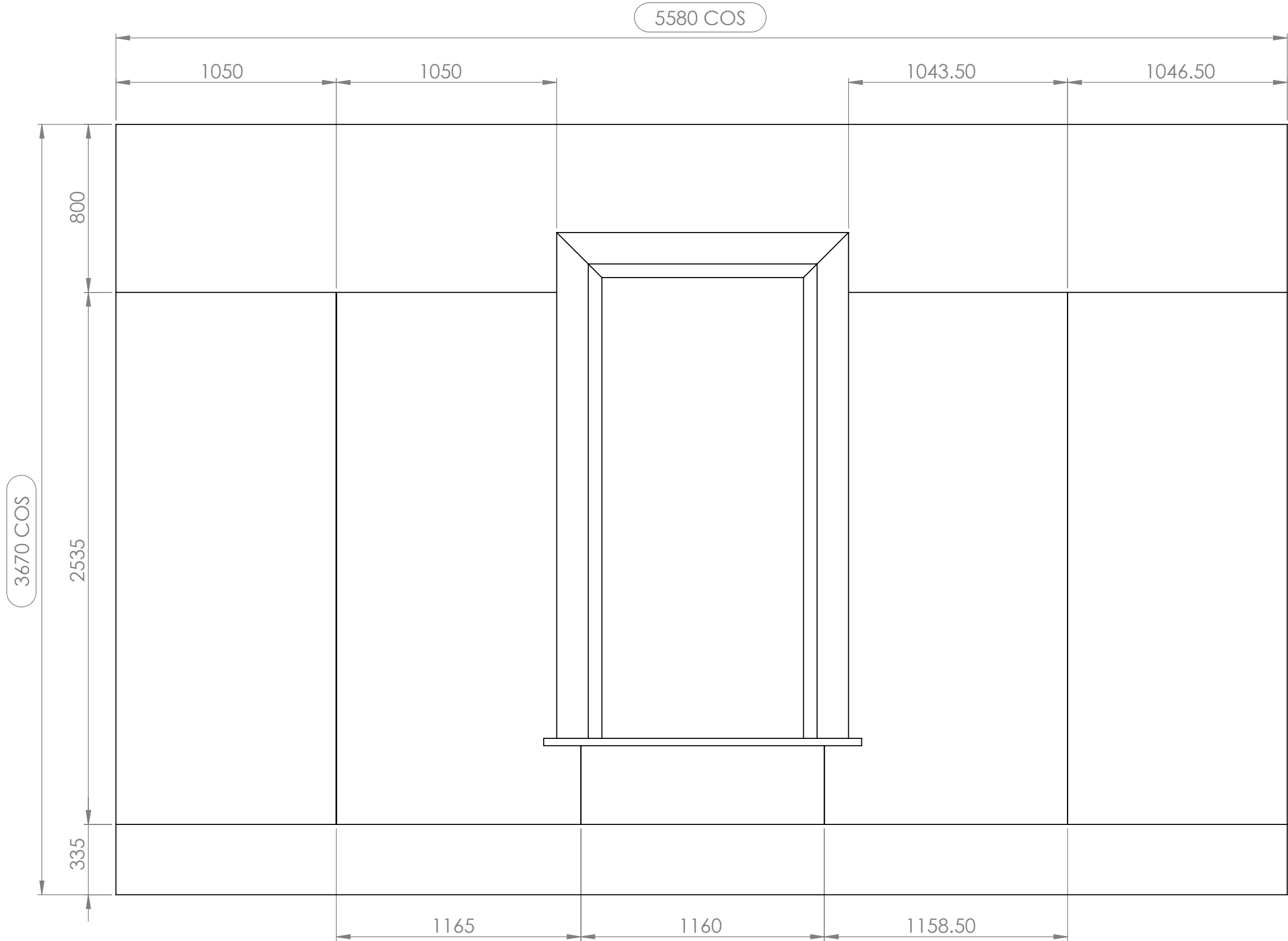
All dimensions are in millimeters. Please report any discrepancies in advance, prior to manufacture.

COS = Check On Site

Details 1.0
Drawing Size:
A3

Wall Panelling:
3mm American
Walnut Veneer
Elevation B_

Finish:
Spray ~ Loba
Matt Finish



Drawing No:
GBT_007



Project:
Gilbert Street Hotel

All dimensions are in millimeters. Please report any discrepancies in advance, prior to manufacture.

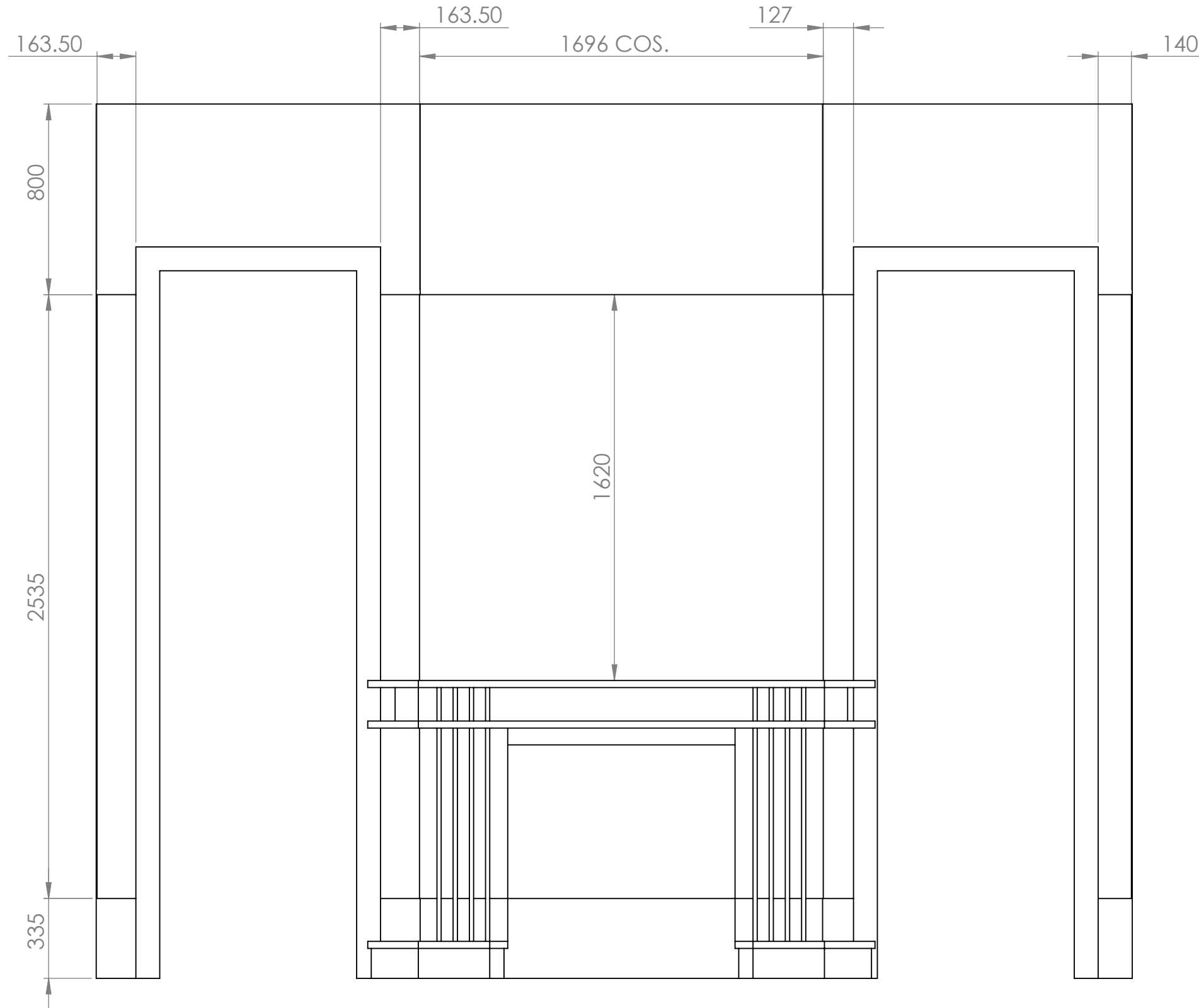
COS = Check On Site

Details 1.0
Drawing Size:
A3

Wall Panelling:
3mm American
Walnut Veneer
Elevation C_

Finish:
Spray ~ Loba
Matt Finish

Drawing No:
GBT_008





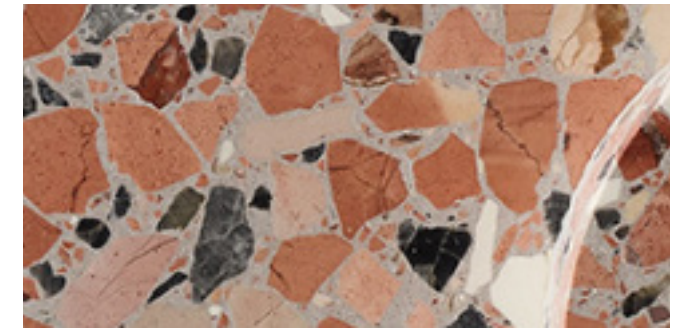
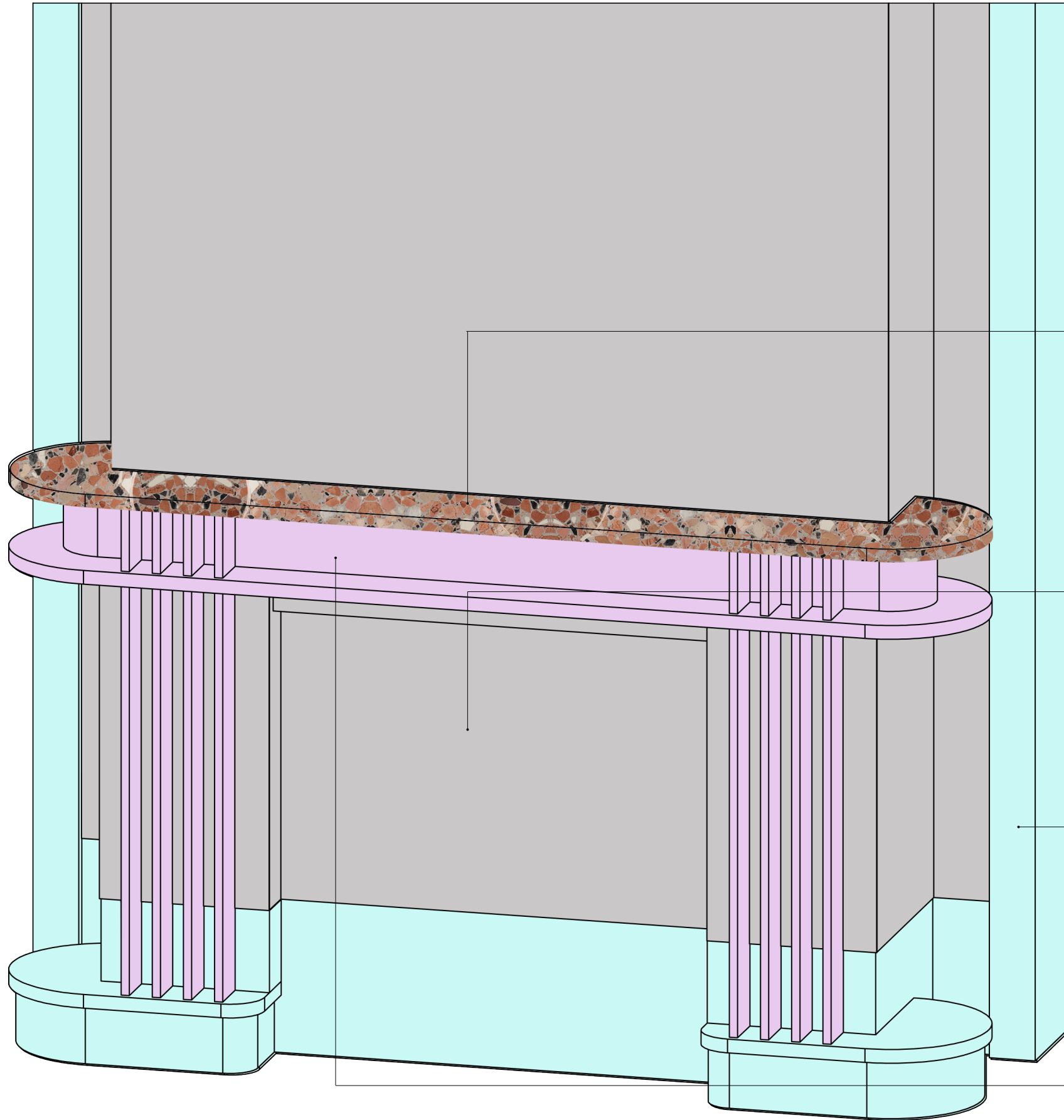
Project:
Gilbert Street Hotel

All dimensions are in millimeters. Please report any discrepancies in advance, prior to manufacture.

Details 1.0
Drawing Size:
A3

Mantel Detail:
Isometric View_

Finish:
Walnut ~
Spray ~ Loba
Matt Finish



FIBONACCI STONE
FATMANS REFLECTION - HONED



WALNUT VENEER
3mm Board, Down Grade Back



DIESKAU by DULUX



PINK DUST by DULUX



Project:
Gilbert Street Hotel

All dimensions are in millimeters. Please report any discrepancies in advance, prior to manufacture.

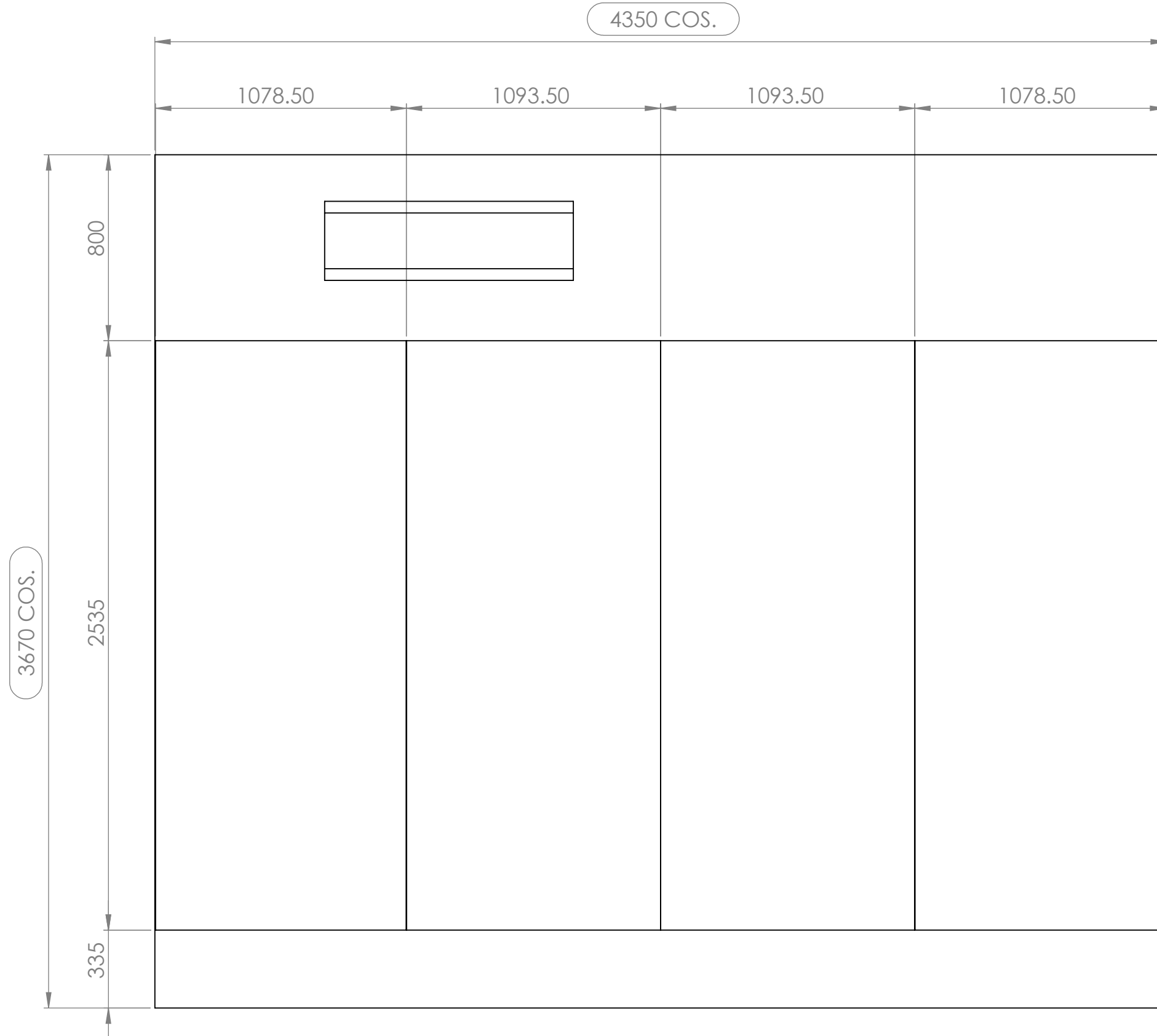
COS = Check On Site

Details 1.0
Drawing Size:
A3

Wall Panelling:
3mm American
Walnut Veneer
Elevation C_

Finish:
Spray ~ Loba
Matt Finish

Drawing No:
GBT_010





Project:
Gilbert Street Hotel

Solid Timber Members

Drawing No:
GBT_011

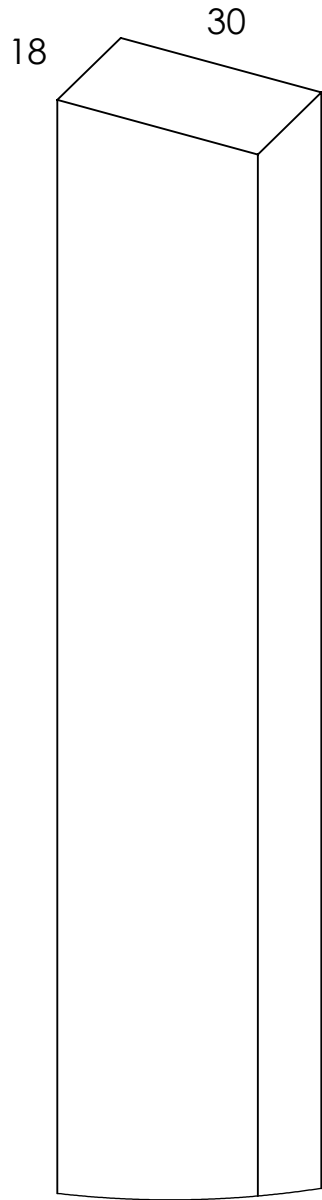


Project:
Gilbert Street Hotel

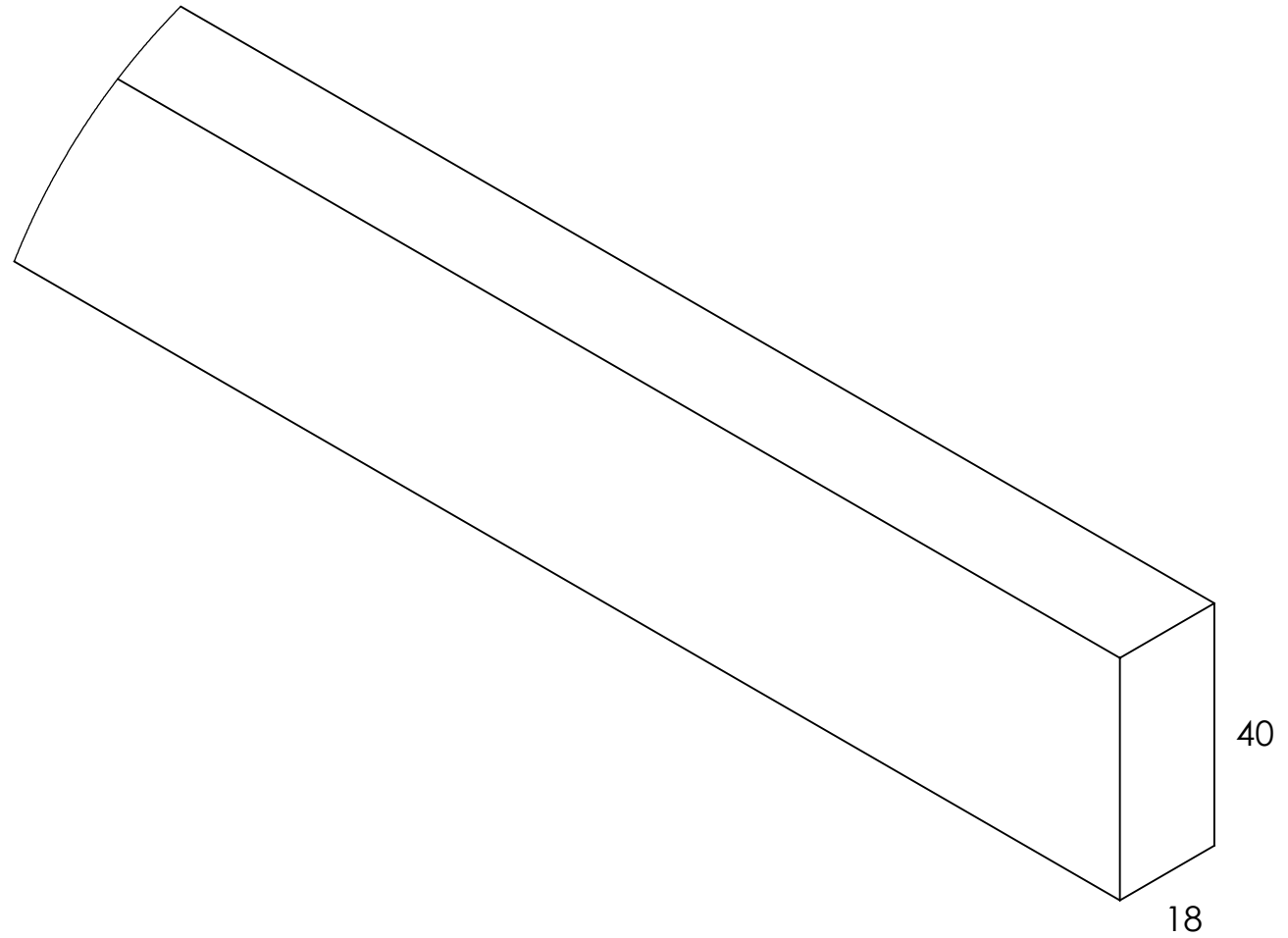
All dimensions are in millimeters. Please report any discrepancies in advance, prior to manufacture.

Details 1.0
Drawing Size:
A3

Solid Timber:
American Walnut
Detail Views_



VERTICAL MEMBER:
(30 x 18)



HORIZONTAL MEMBER
(40 x 18)



Project:
Gilbert Street Hotel

All dimensions are in millimeters. Please report any discrepancies in advance, prior to manufacture.

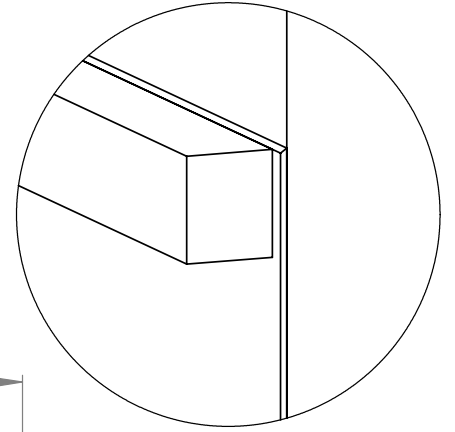
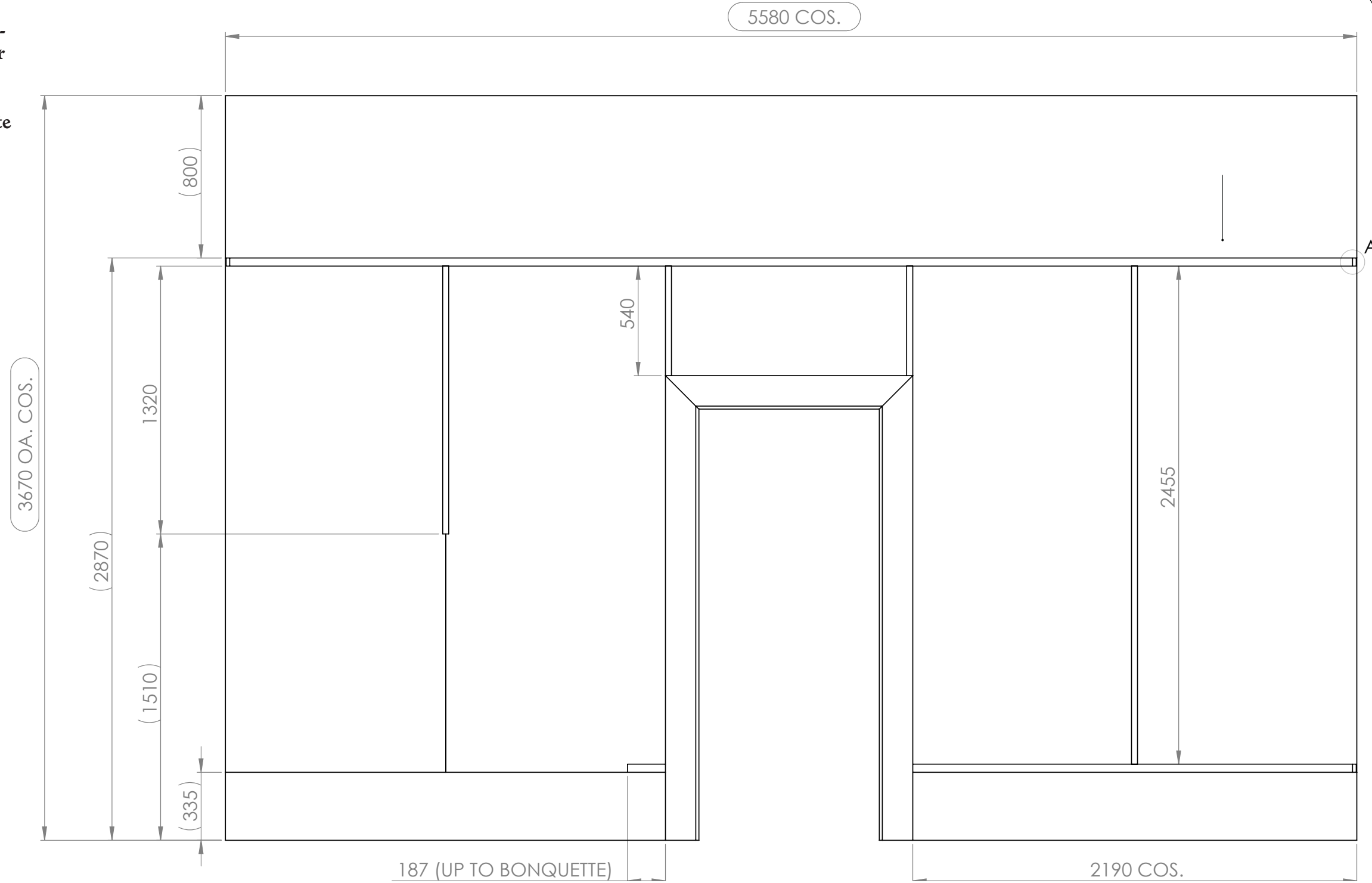
COS = Check On Site

Details 1.0
Drawing Size:
A3

Solid Timber:
American Walnut
Elevation A

Finish:
Spray ~ Loba
Matt Finish

Drawing No:
GBT_013



MITRE JOINTS @ ALL
CORNER INTERSECTIONS

DETAIL A
SCALE 1 : 2



Project:
Gilbert Street Hotel

All dimensions are in millimeters. Please report any discrepancies in advance, prior to manufacture.

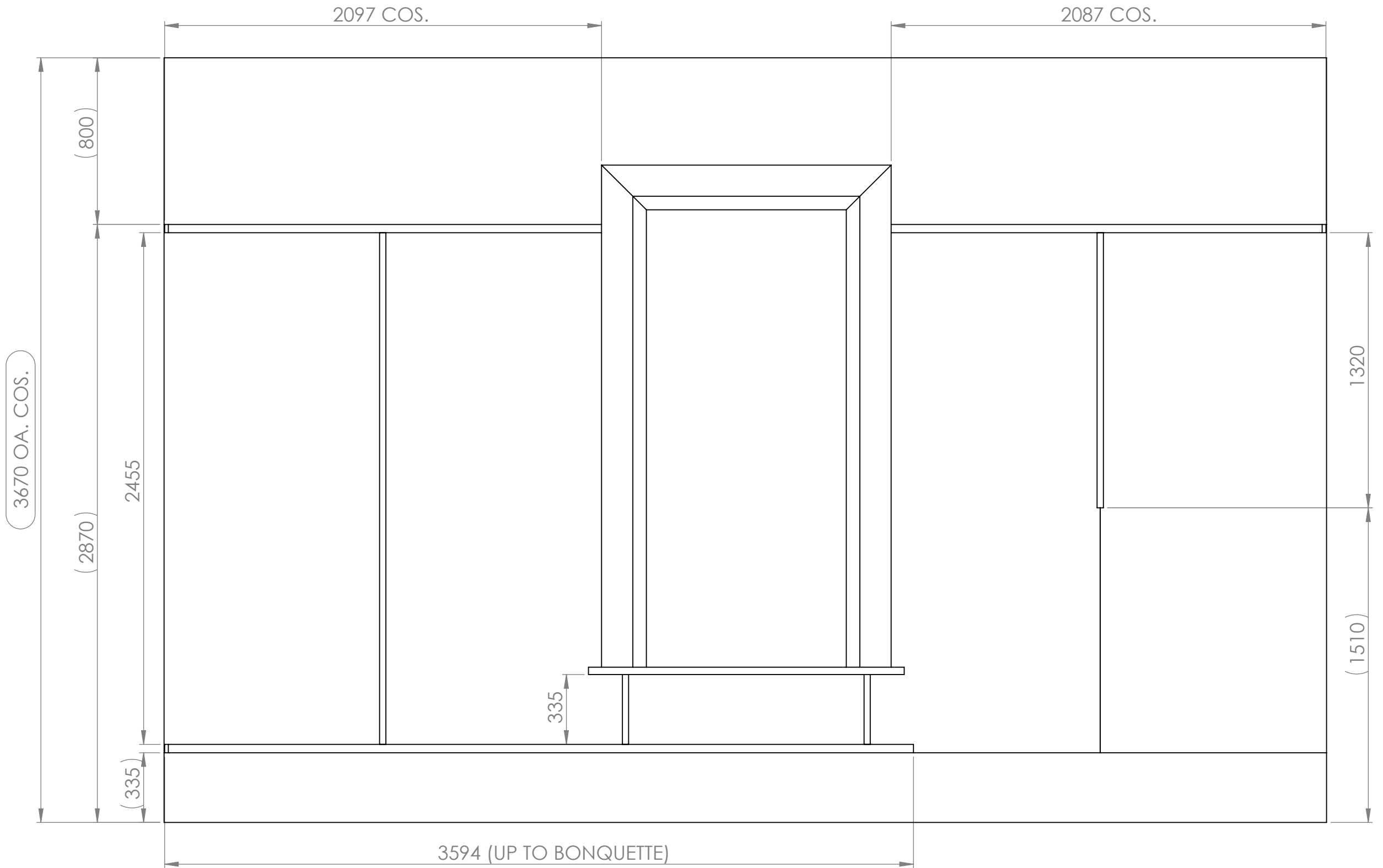
COS = Check On Site

Details 1.0
Drawing Size:
A3

Solid Timber:
American Walnut
Elevation B_

Finish:
Spray ~ Loba
Matt Finish

Drawing No:
GBT_014





Project:
Gilbert Street Hotel

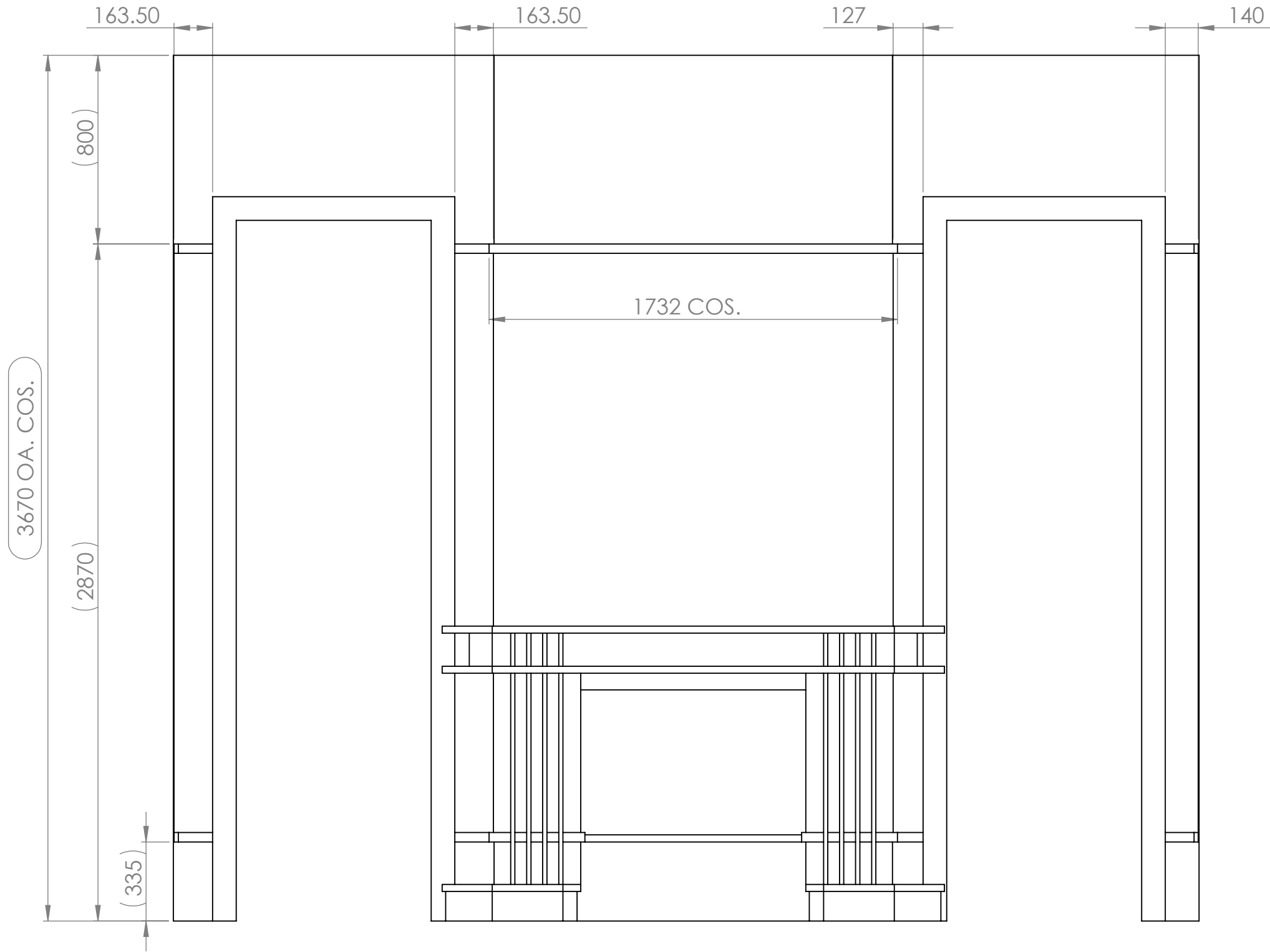
All dimensions are in millimeters. Please report any discrepancies in advance, prior to manufacture.

COS = Check On Site

Details 1.0
Drawing Size:
A3

Solid Timber:
American Walnut
Elevation C_

Finish:
Spray ~ Loba
Matt Finish



Drawing No:

GBT_015



Project:
Gilbert Street Hotel

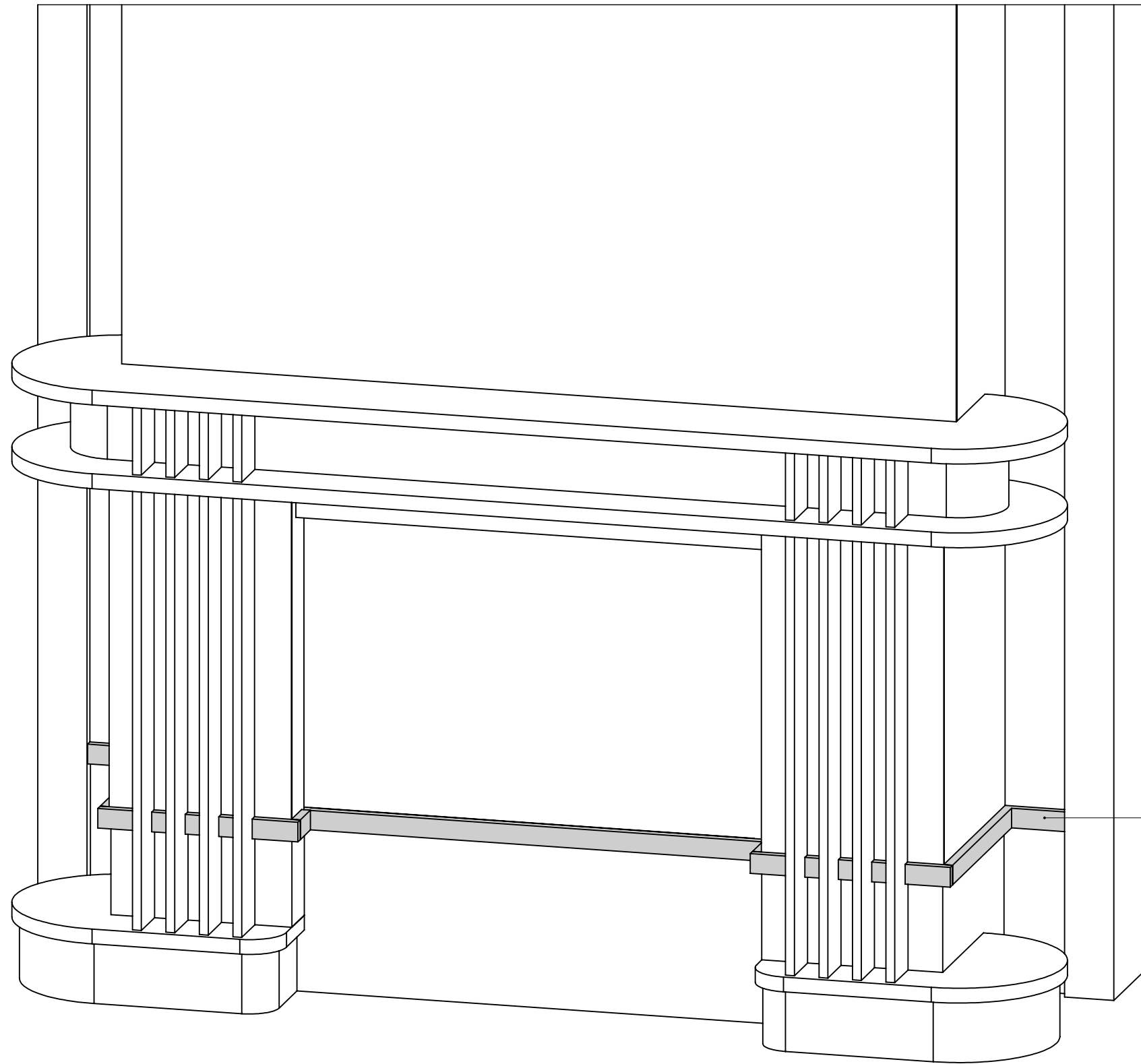
All dimensions are in millimeters. Please report any discrepancies in advance, prior to manufacture.

COS = Check On Site

Details 1.0
Drawing Size:
A3

Solid Timber:
40 x 18
American Walnut
Isometric View_

Finish:
Spray ~ Loba
Matt Finish



40 x 18 AMERICAN WALNUT (SOLID)



Project:
Gilbert Street Hotel

All dimensions are in millimeters. Please report any discrepancies in advance, prior to manufacture.

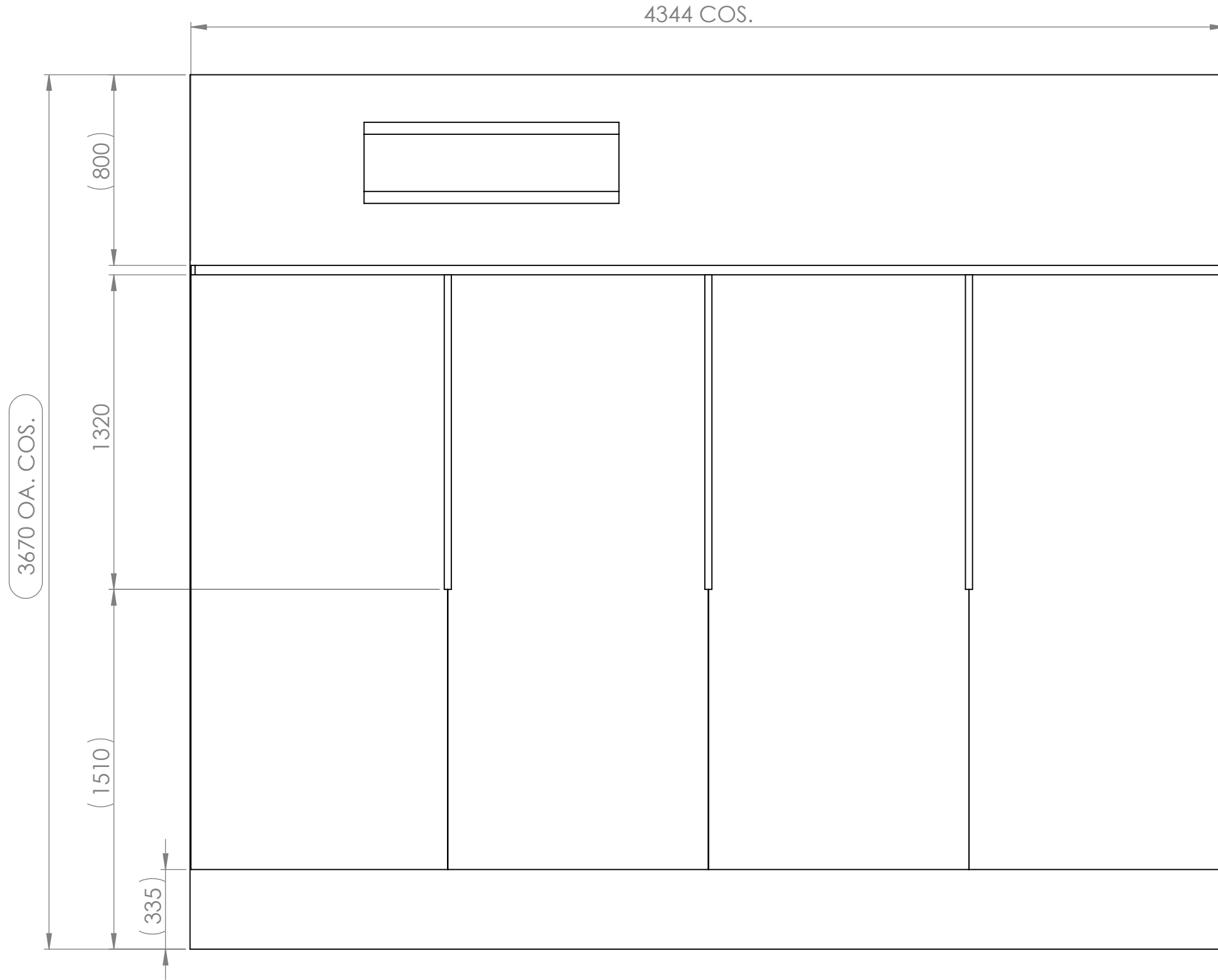
COS = Check On Site

Details 1.0
Drawing Size:
A3

Solid Timber:
American Walnut
Elevation D_

Finish:
Spray ~ Loba
Matt Finish

Drawing No:
GBT_017



0407 585 578



Project:
Gilbert Street Hotel

Banquette

ANDREW@ANDREWEDEN.COM.AU

ANDY EDEN

Drawing No:
GBT_018



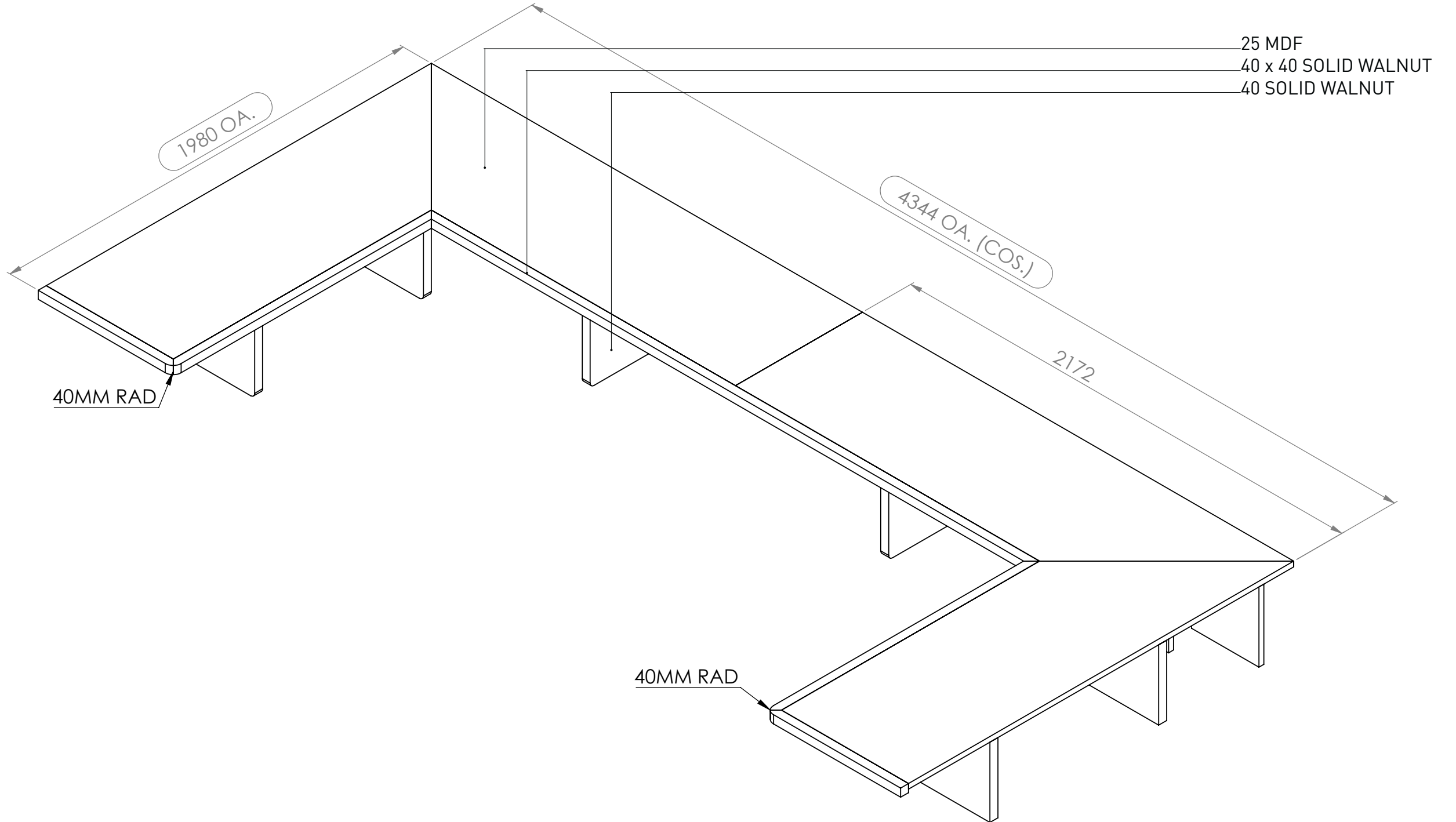
Project:
Gilbert Street Hotel

All dimensions are in millimeters. Please report any discrepancies in advance, prior to manufacture.

COS = Check On Site

Details 1.0
Drawing Size:
A3

Banquette:
Isometric View_





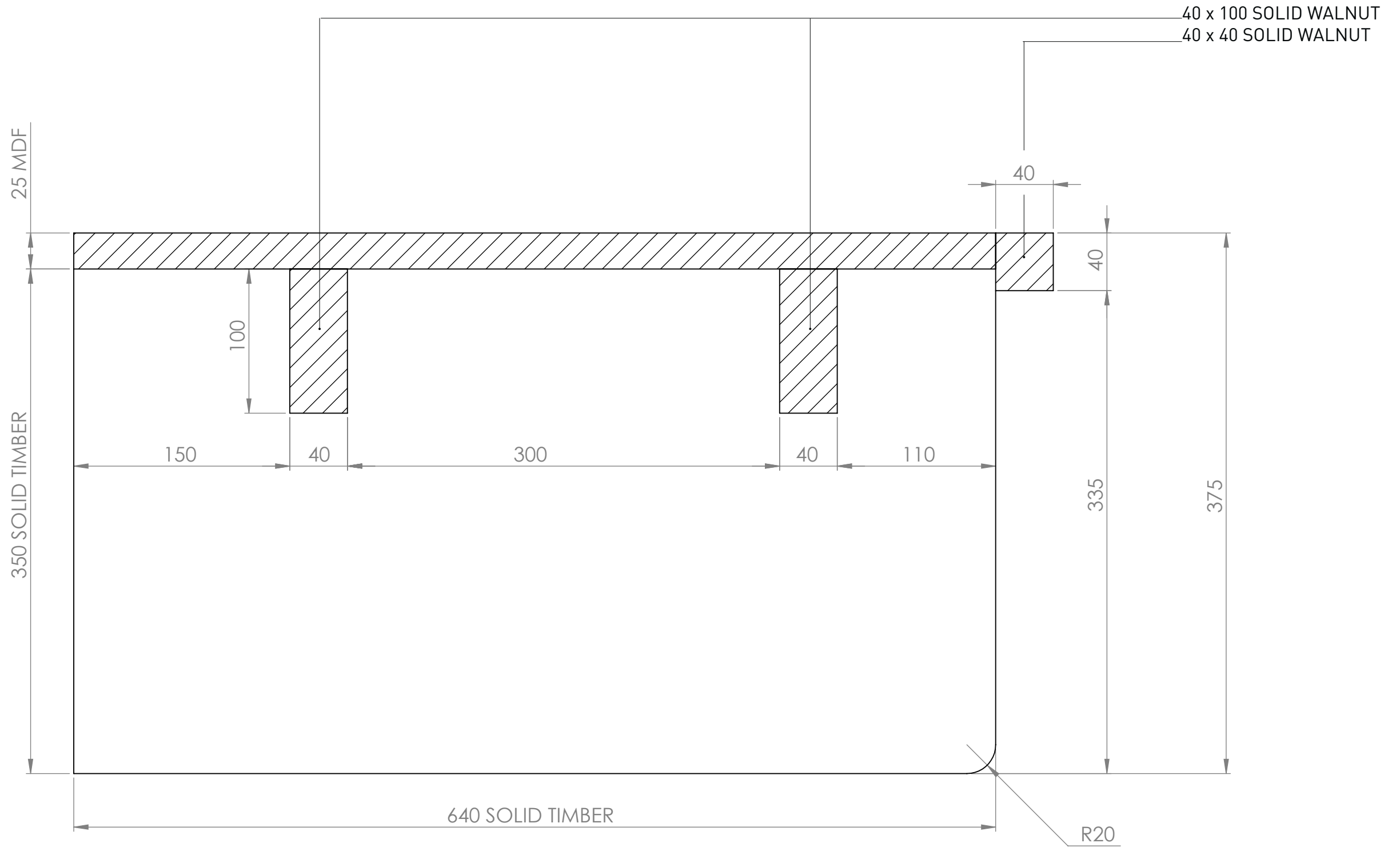
Project:
Gilbert Street Hotel

All dimensions are in millimeters. Please report any discrepancies in advance, prior to manufacture.

Details 1.0
Drawing Size:
A3

Banquette:
Section View_

Drawing No:
GBT_020





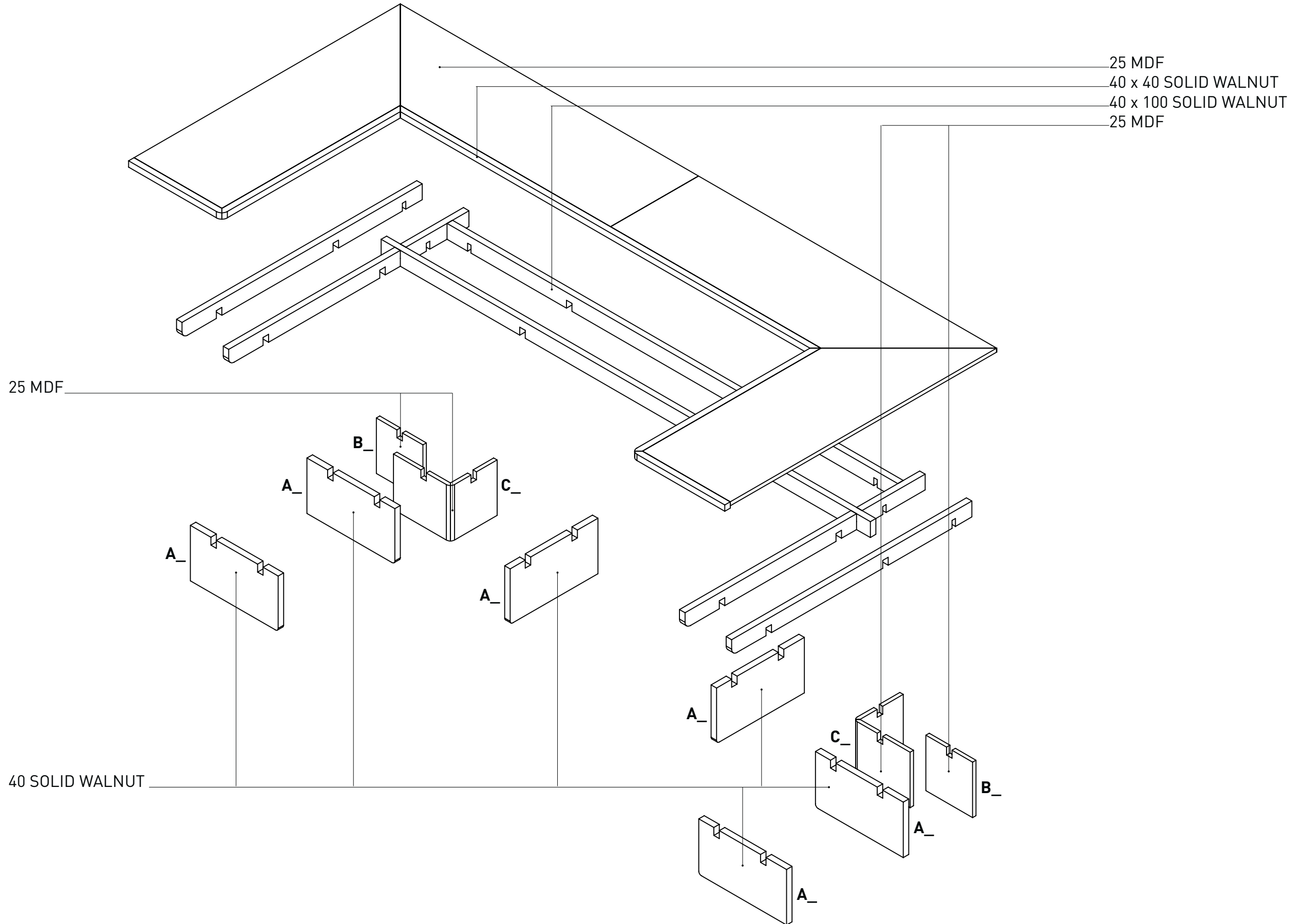
Project:
Gilbert Street Hotel

All dimensions are in millimeters. Please report any discrepancies in advance, prior to manufacture.

COS = Check On Site

Details 1.0
Drawing Size:
A3

Banquette:
Exploded View





Project:
Gilbert Street Hotel

All dimensions are in millimeters. Please report any discrepancies in advance, prior to manufacture.

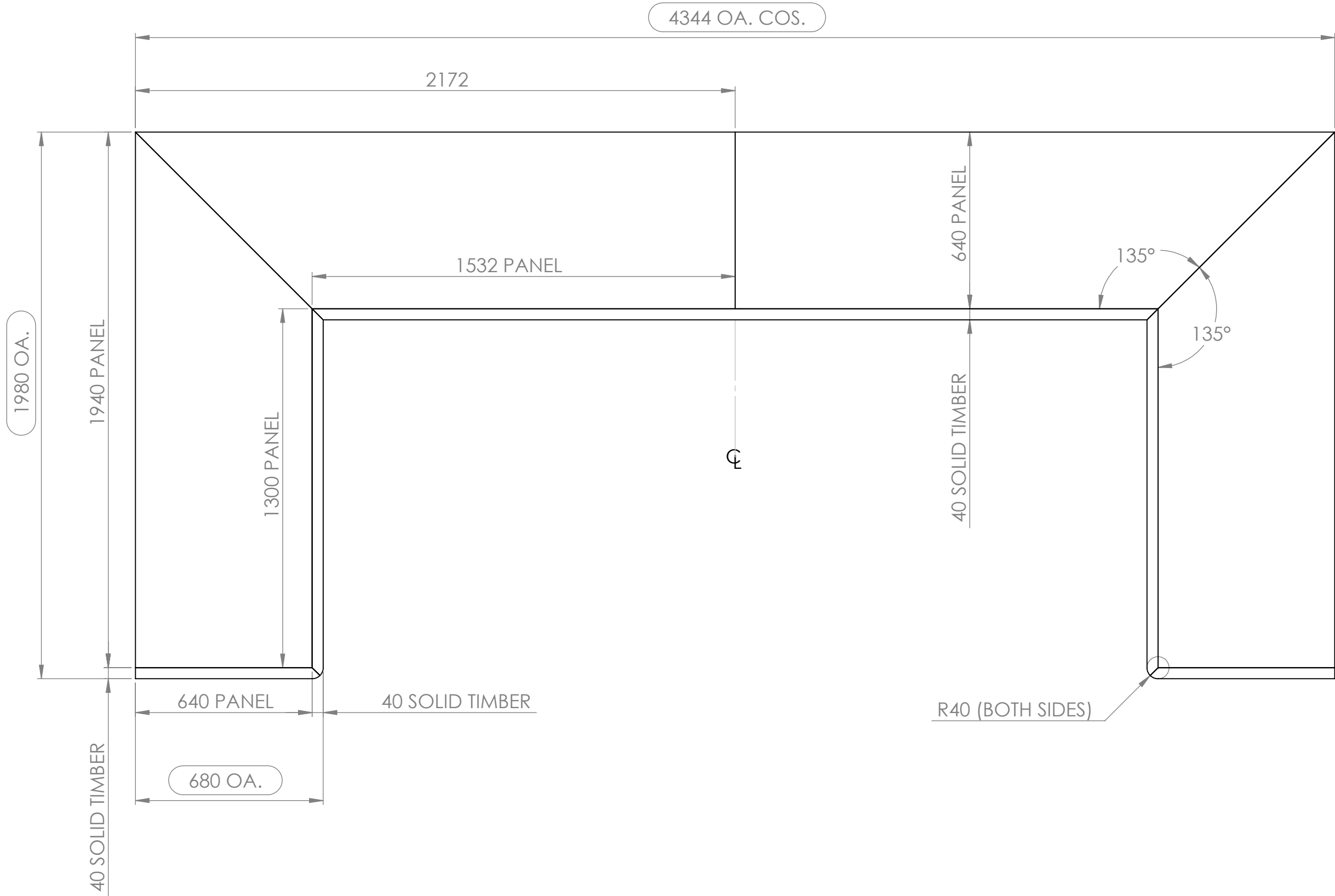
COS = Check On Site

Details 1.0
Drawing Size:
A3

Banquette:
Top View_

Finish:
Spray ~ Loba
Matt Finish

Drawing No:
GBT_022





Project:
Gilbert Street Hotel

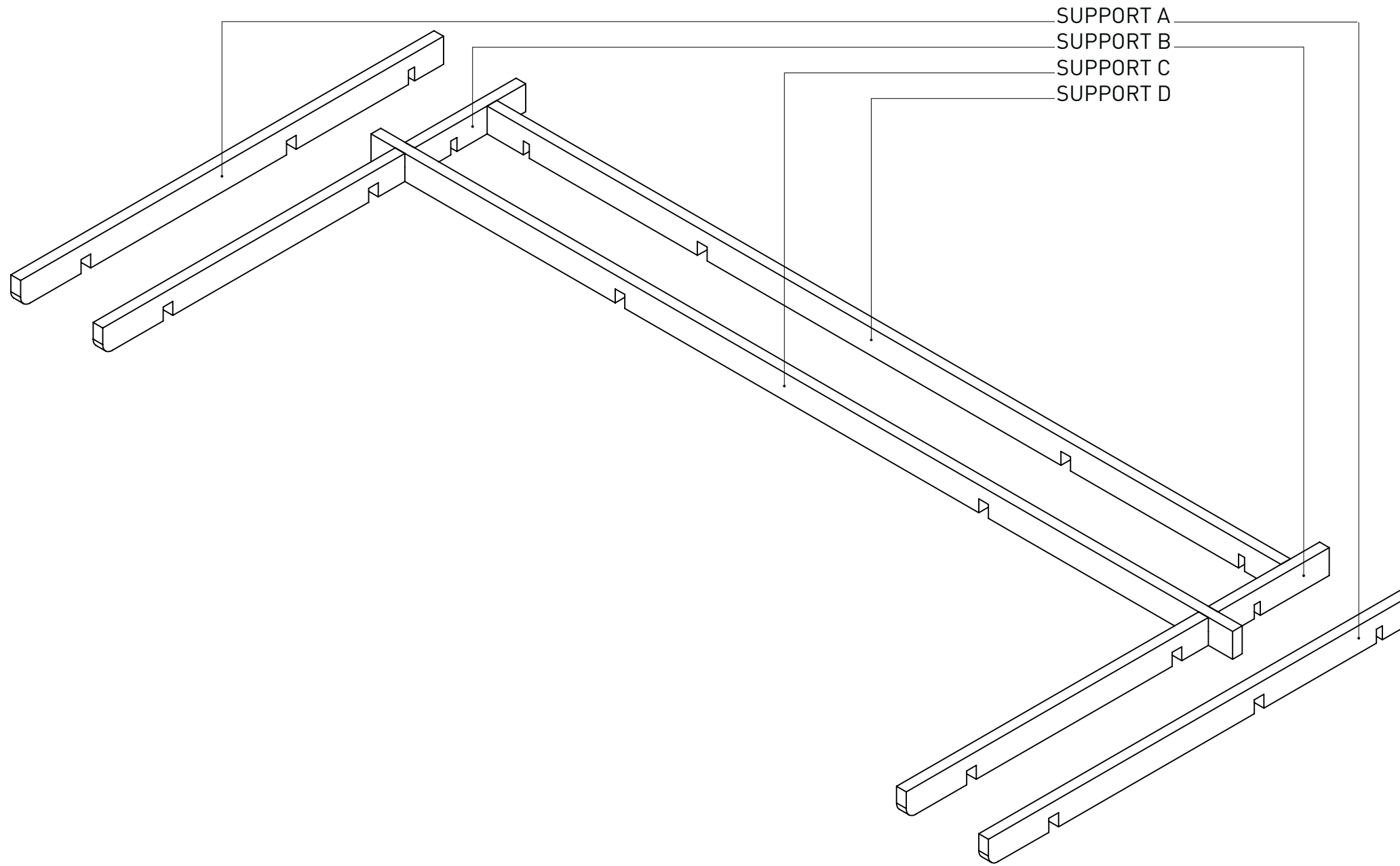
All dimensions are in millimeters. Please report any discrepancies in advance, prior to manufacture.

COS = Check On Site

Details 1.0
Drawing Size:
A3

Solid Timber
Supports (40x100):
American Walnut
Isometric View

Finish:
Spray ~ Loba
Matt Finish





Project:
Gilbert Street Hotel

All dimensions are in millimeters. Please report any discrepancies in advance, prior to manufacture.

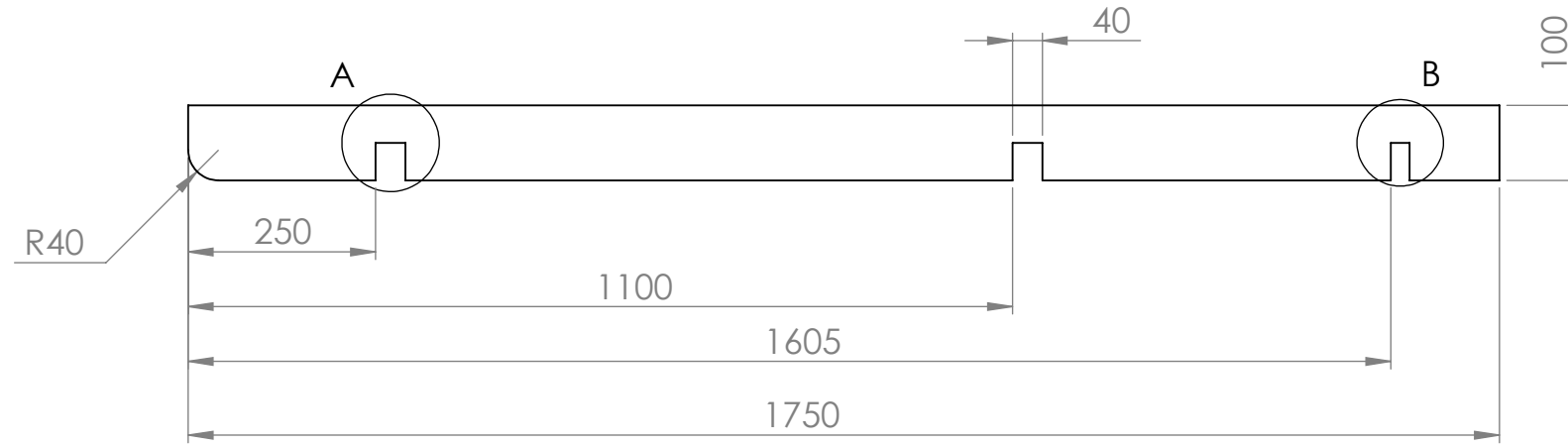
COS = Check On Site

Details 1.0
Drawing Size:
A3

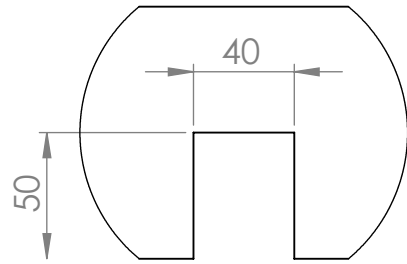
Solid Timber
Supports (40x100):
American Walnut
Top View_

Finish:
Spray ~ Loba
Matt Finish

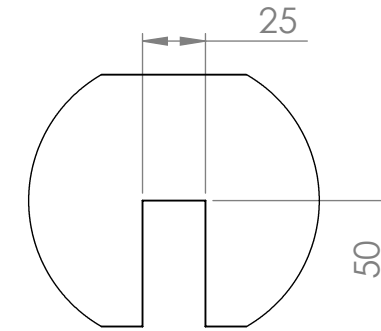
Drawing No:
GBT_024



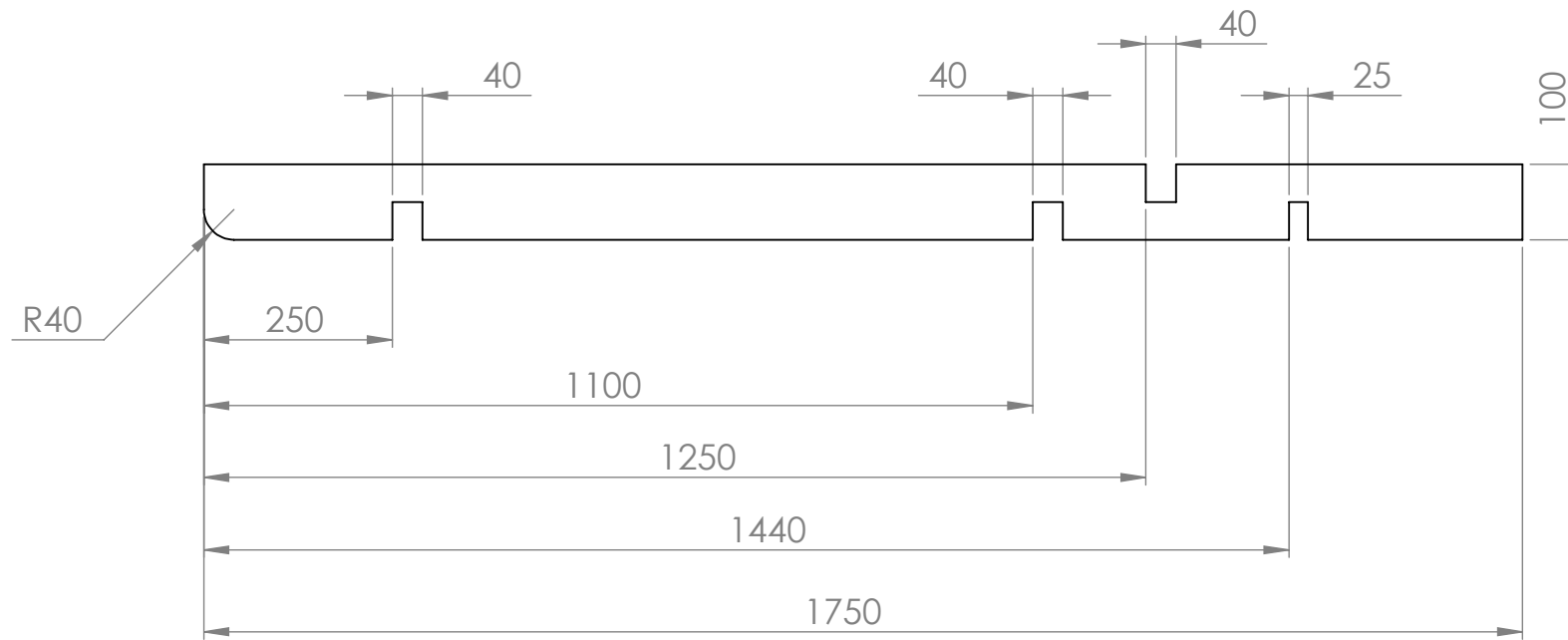
SUPPORT A_



DETAIL A
SCALE 1 : 3



DETAIL B
SCALE 1 : 3



SUPPORT B_



Project:
Gilbert Street Hotel

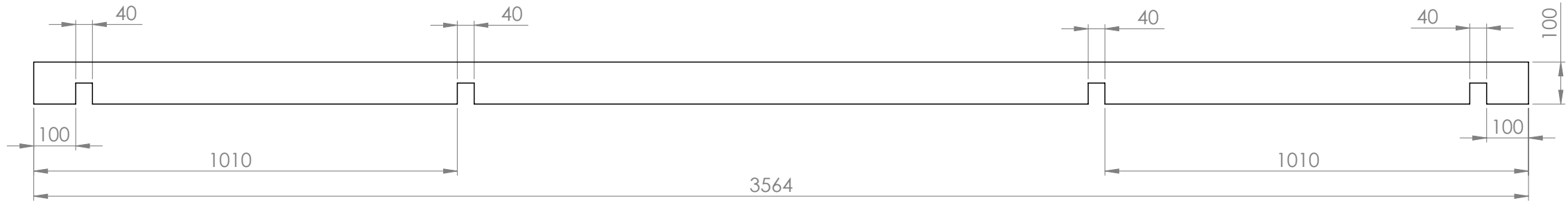
All dimensions are in millimeters. Please report any discrepancies in advance, prior to manufacture.

COS = Check On Site

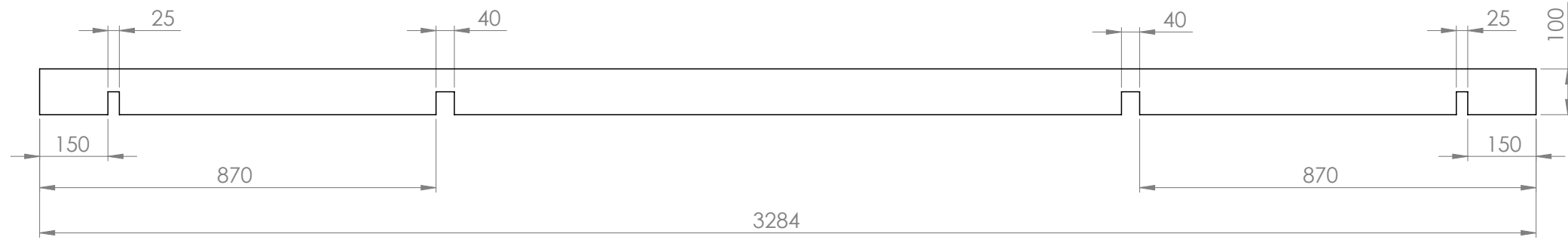
Details 1.0
Drawing Size:
A3

Solid Timber
Supports (40x100):
American Walnut
Top View_

Finish:
Spray ~ Loba
Matt Finish



SUPPORT C_



SUPPORT D_



Project:
Gilbert Street Hotel

All dimensions are in millimeters. Please report any discrepancies in advance, prior to manufacture.

COS = Check On Site

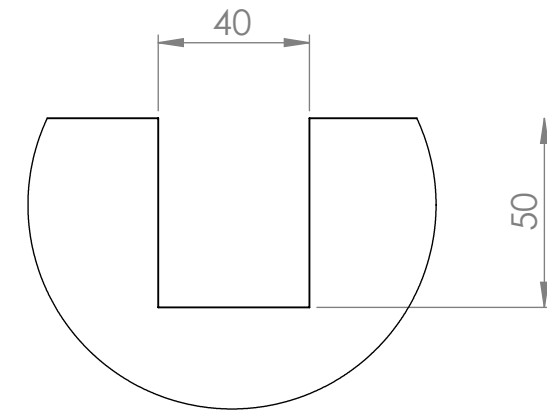
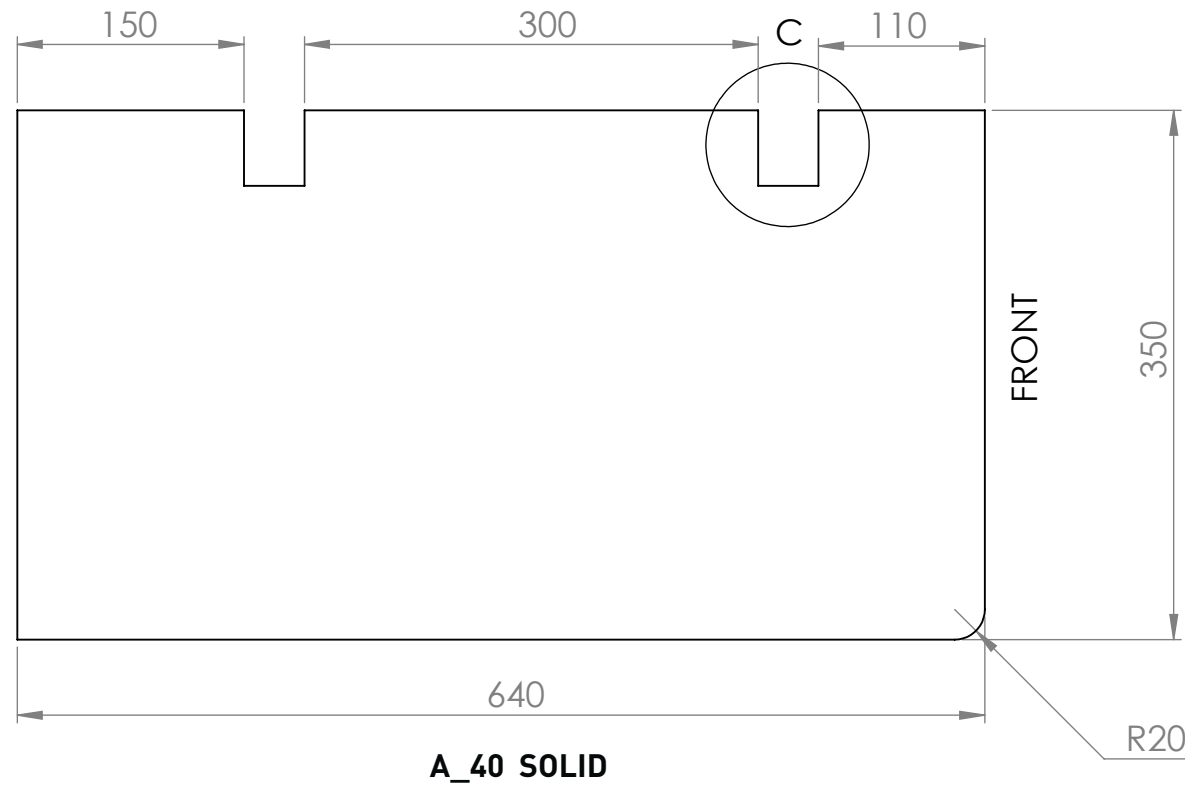
Details 1.0
Drawing Size:
A3

Base Panels
40 Solid Timber
American Walnut
25 Mdf:

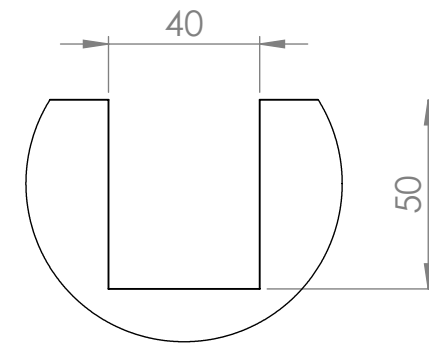
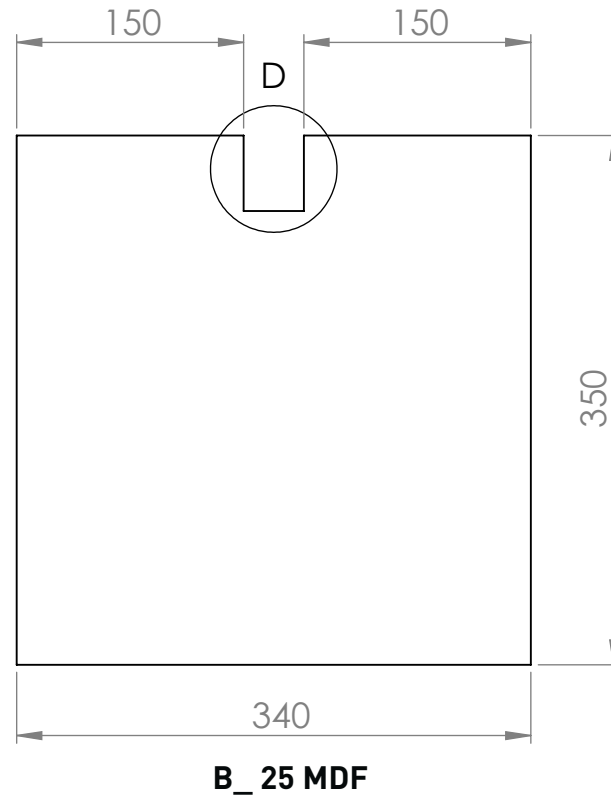
Top View_

Finish:
Spray ~ Loba
Matt Finish

Drawing No:
GBT_026



DETAIL C
SCALE 1 : 2



DETAIL D
SCALE 1 : 2



Project:
Gilbert Street Hotel

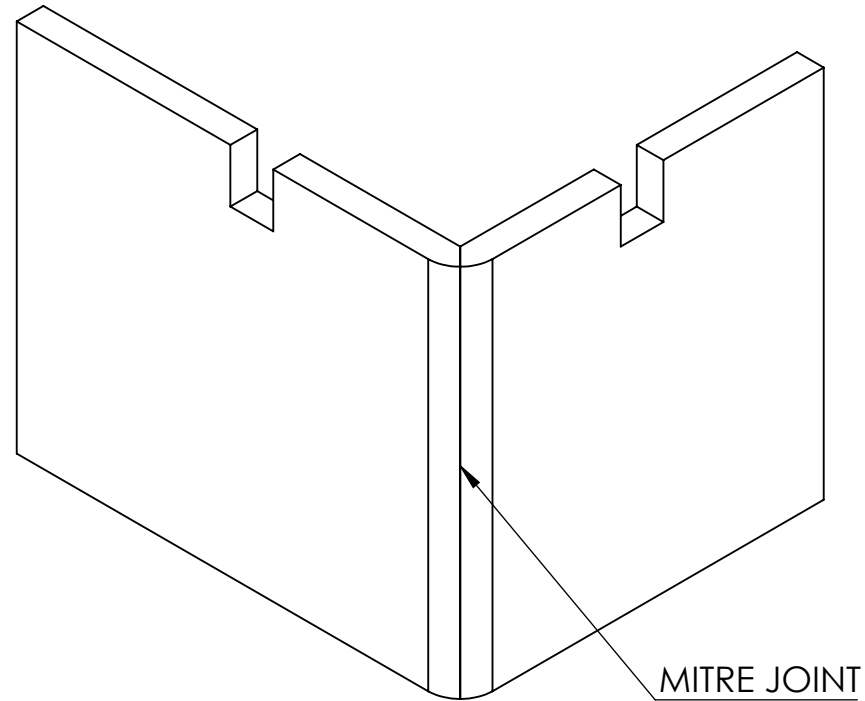
All dimensions are in millimeters. Please report any discrepancies in advance, prior to manufacture.

COS = Check On Site

Details 1.0
Drawing Size:
A3

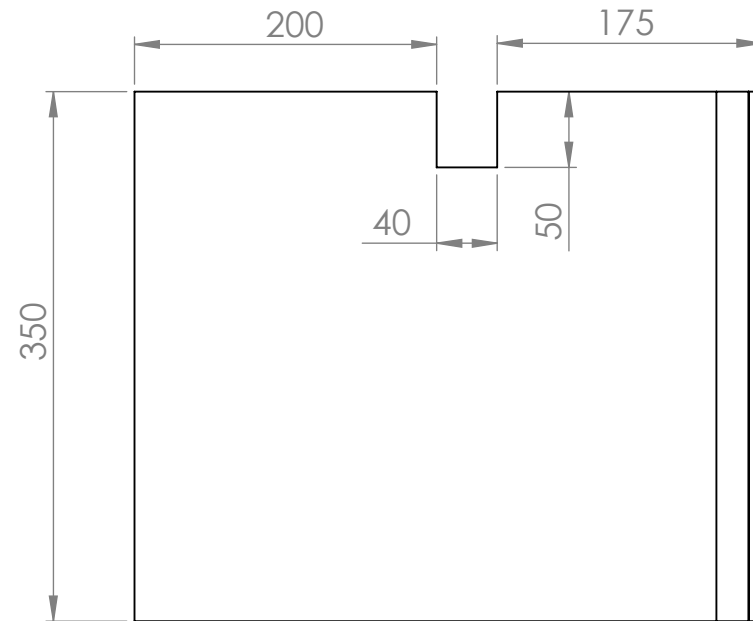
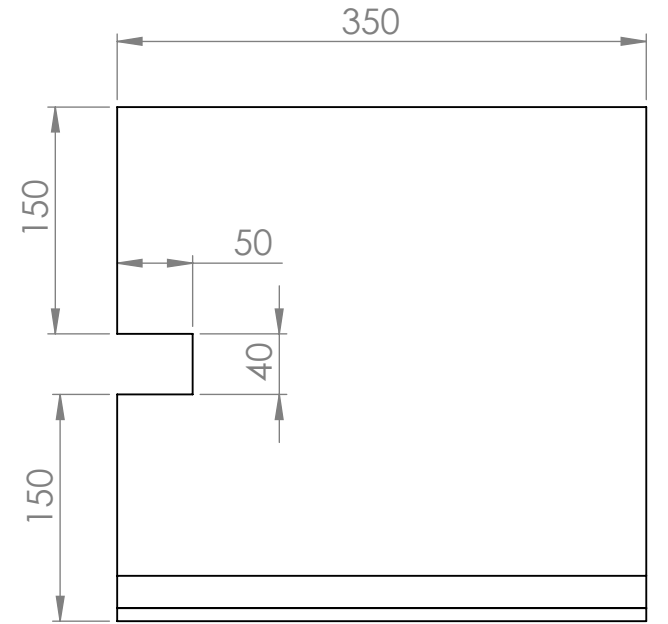
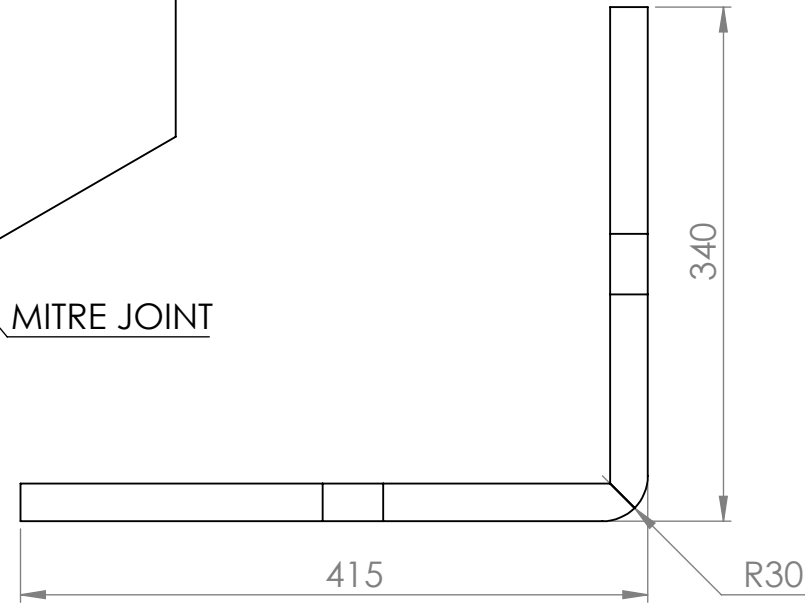
Base Panel 25 Mdf:
Orthographic View_

Finish:
Paint ~ Dulux
Dieskau



C_ISOMETRIC VIEW

MITRE JOINT





Project:
Gilbert Street Hotel

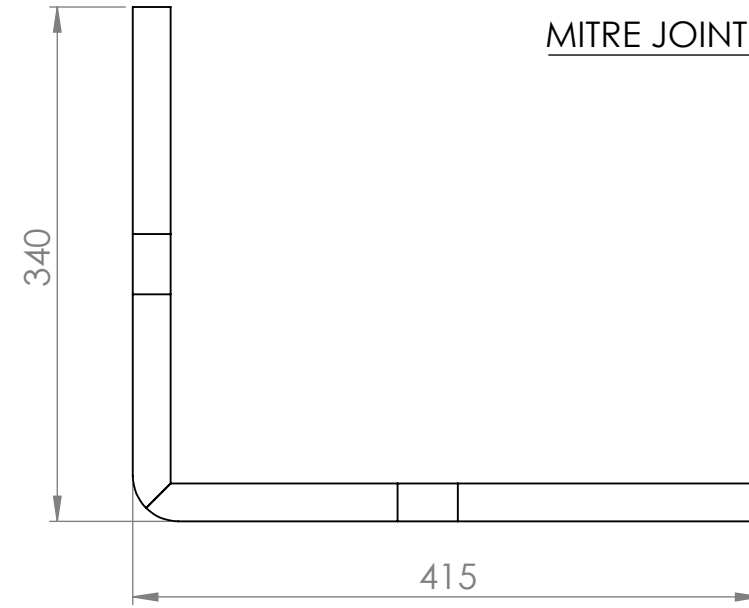
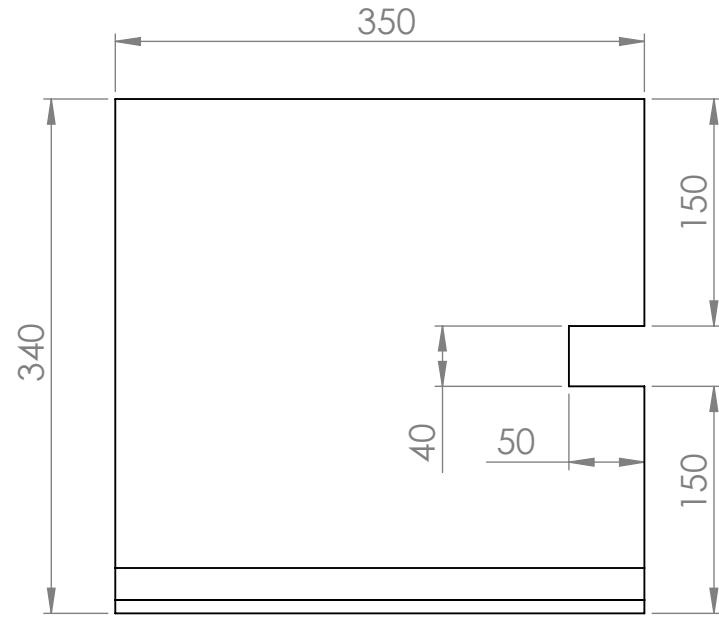
All dimensions are in millimeters. Please report any discrepancies in advance, prior to manufacture.

COS = Check On Site

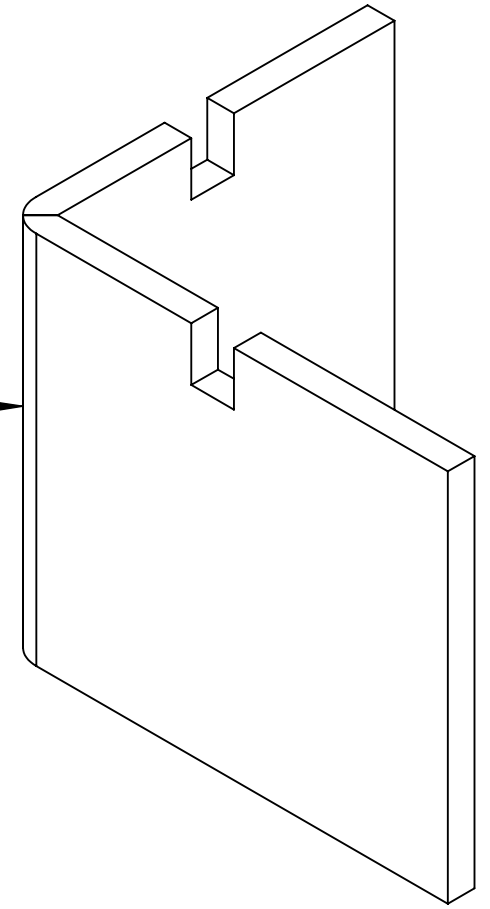
Details 1.0
Drawing Size:
A3

Base Panel 25 Mdf:
Orthographic View_

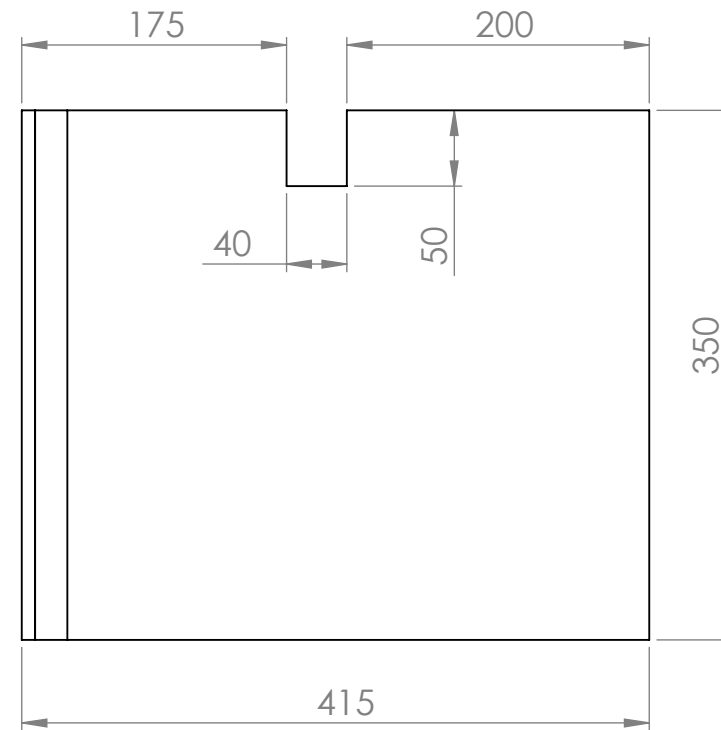
Finish:
Paint ~ Dulux
Dieskau



MITRE JOINT



C_ISOMETRIC VIEW





Project:
Gilbert Street Hotel

Cable Management Tray

Drawing No:
GBT_029



Project:
Gilbert Street Hotel

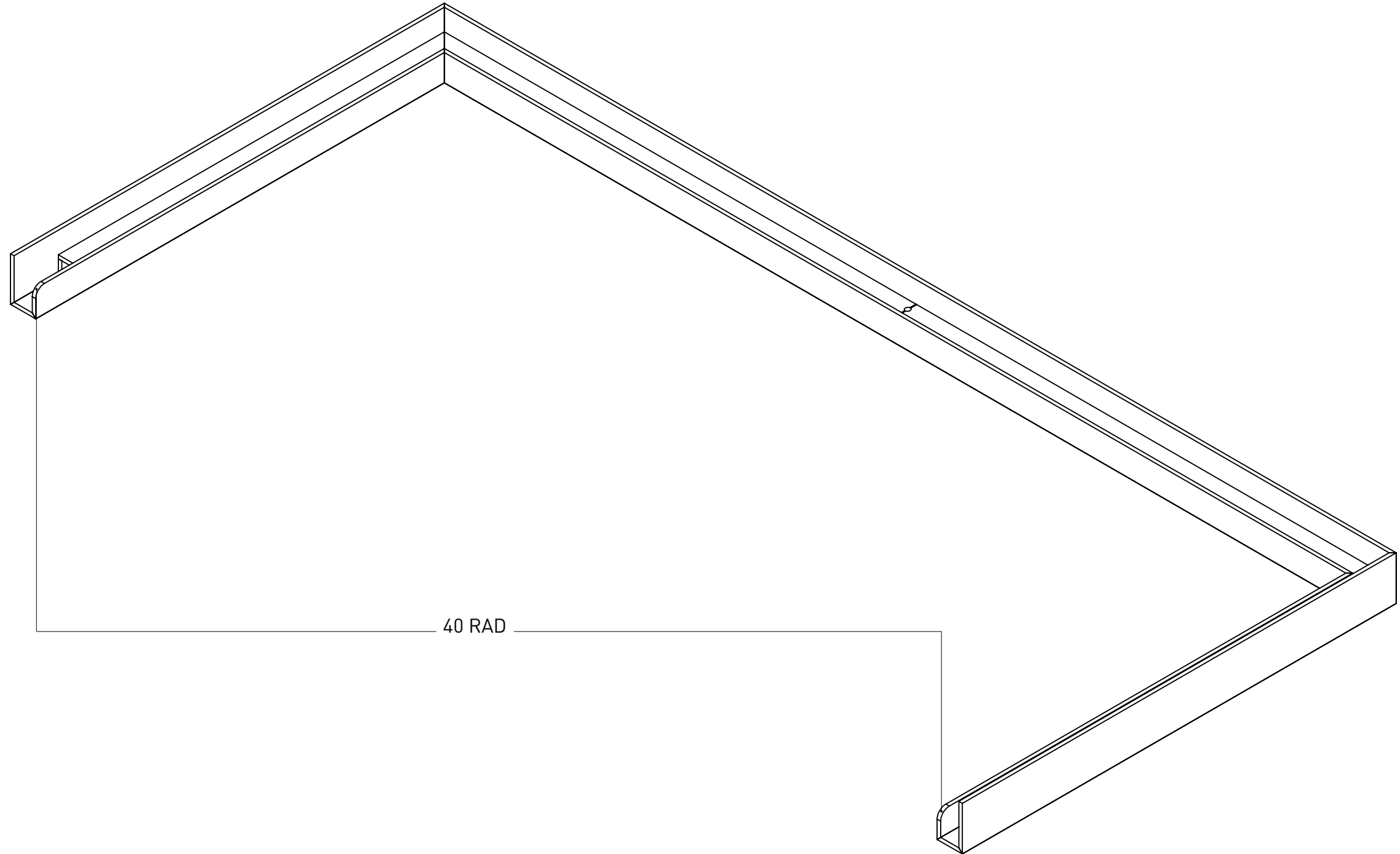
All dimensions are in millimeters. Please report any discrepancies in advance, prior to manufacture.

COS = Check On Site

Details 1.0
Drawing Size:
A3

Cable Management:
16mm American
Walnut Veneer
Isometric View_

Finish:
Spray ~ Loba
Matt Finish





Project:
Gilbert Street Hotel

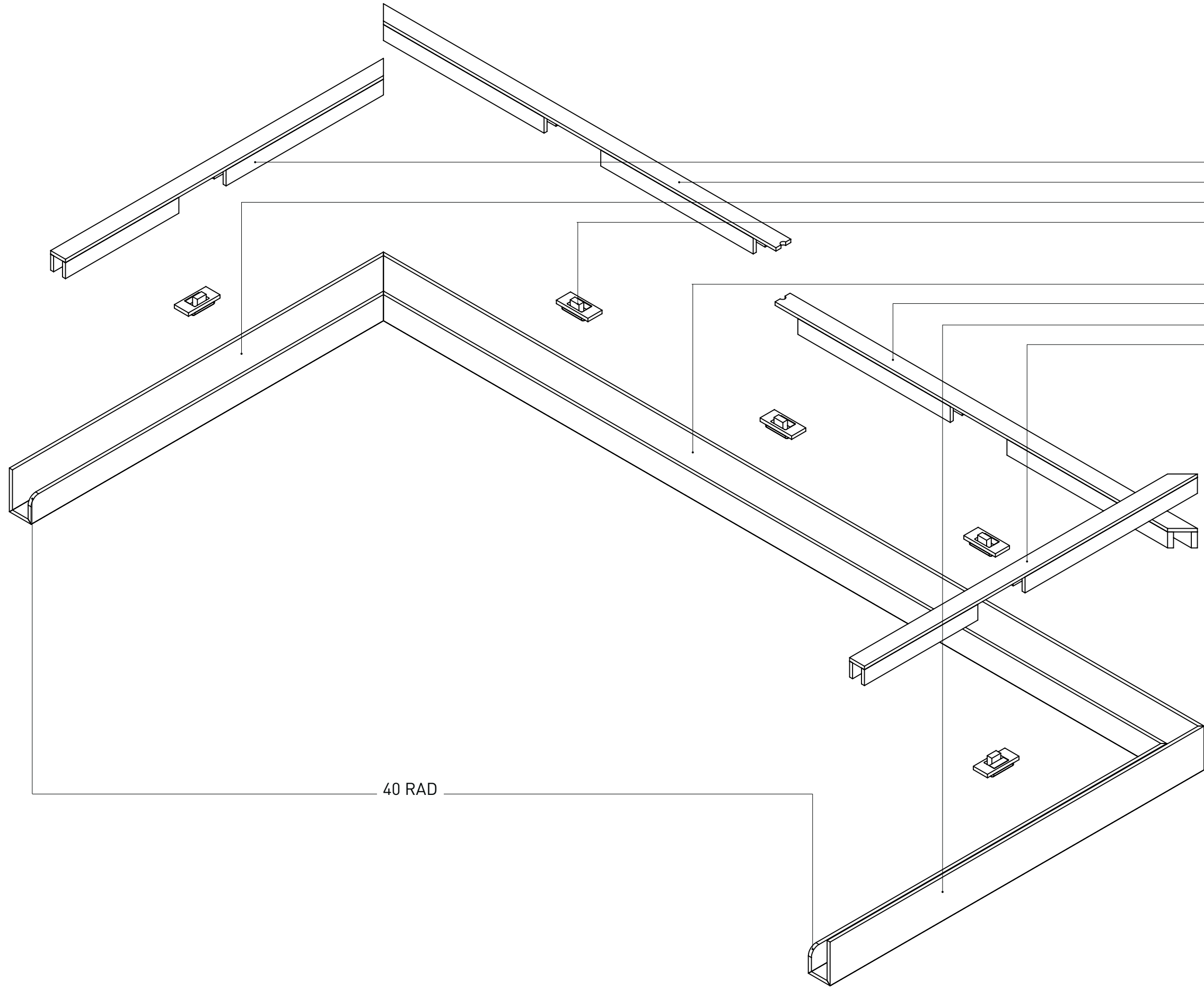
All dimensions are in millimeters. Please report any discrepancies in advance, prior to manufacture.

COS = Check On Site

Details 1.0
Drawing Size:
A3

Cable Management:
16mm American
Walnut Veneer
Isometric View

Finish:
Spray ~ Loba
Matt Finish



- LHS LID
- MIDDLE LHS LID
- LHS TRAY
- 2 PRONG PWR 2 USB
- POWER POINT WITH BACKING PLATE
- MID TRAY
- MIDDLE RHS LID
- RHS TRAY
- RHS LID

40 RAD



Project:
Gilbert Street Hotel

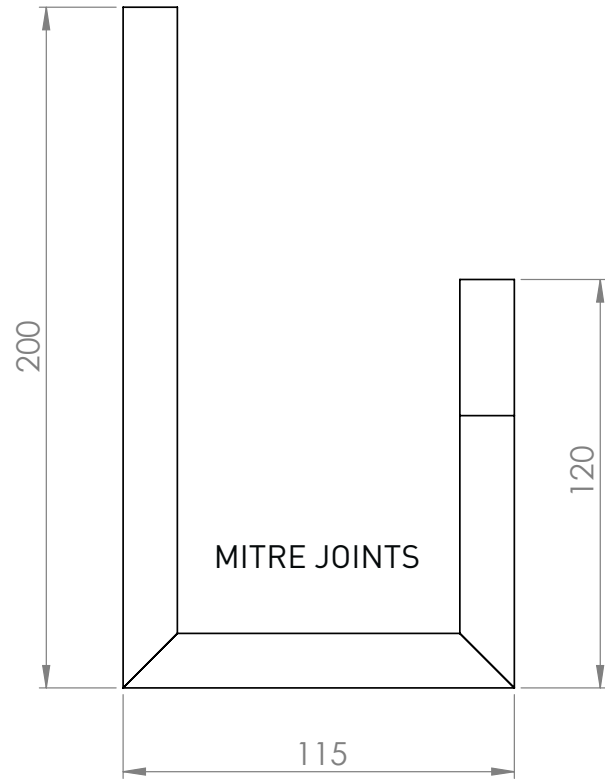
All dimensions are in millimeters. Please report any discrepancies in advance, prior to manufacture.

COS = Check On Site

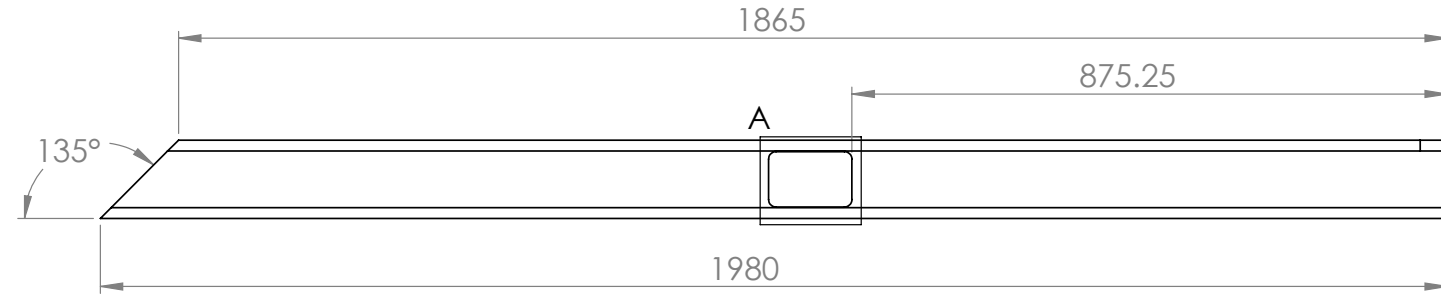
Details 1.0
Drawing Size:
A3

Cable Management:
16mm American
Walnut Veneer
Detail Views_

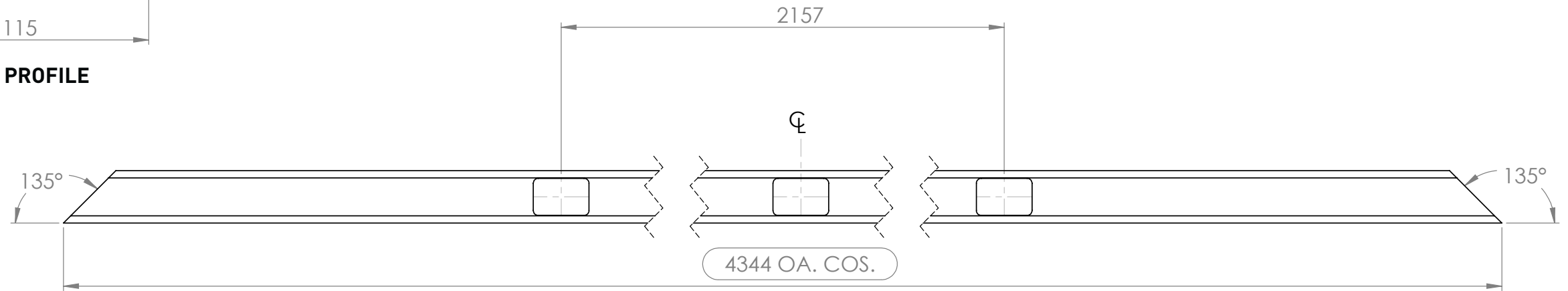
Finish:
Spray ~ Loba
Matt Finish



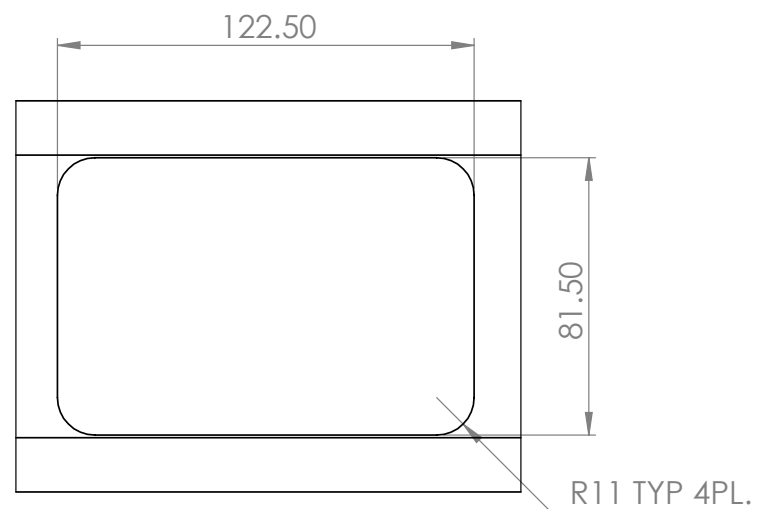
TRAY PROFILE



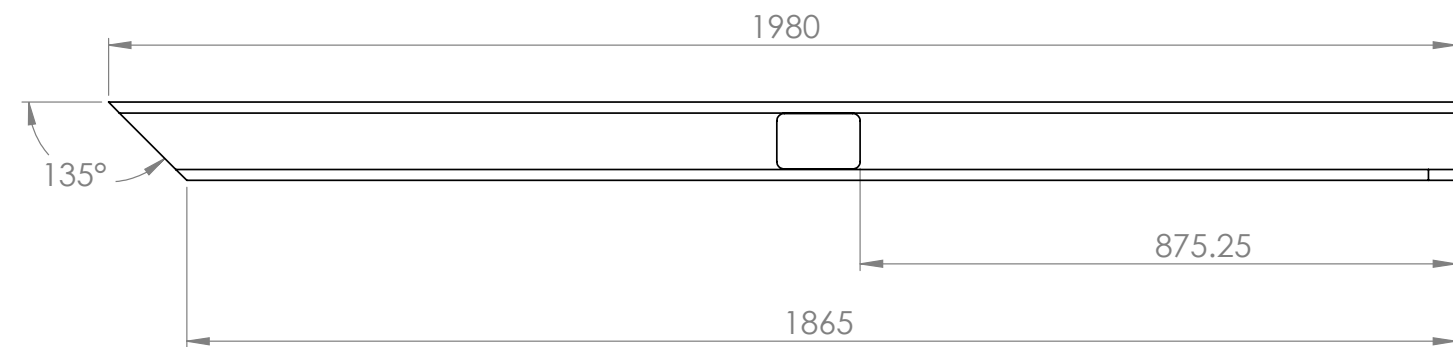
LHS TRAY



MIDDLE TRAY



DETAIL A
SCALE 1 : 2
POWER POINT ROUTED DETAIL



RHS TRAY



Project:
Gilbert Street Hotel

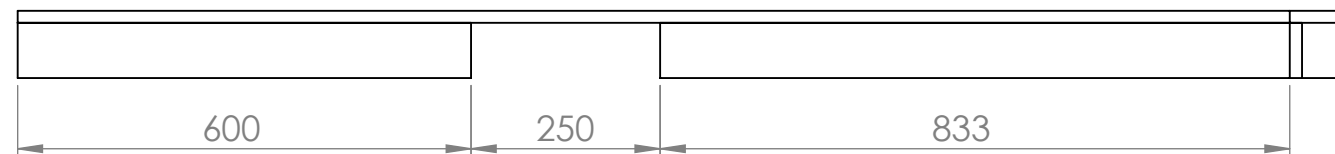
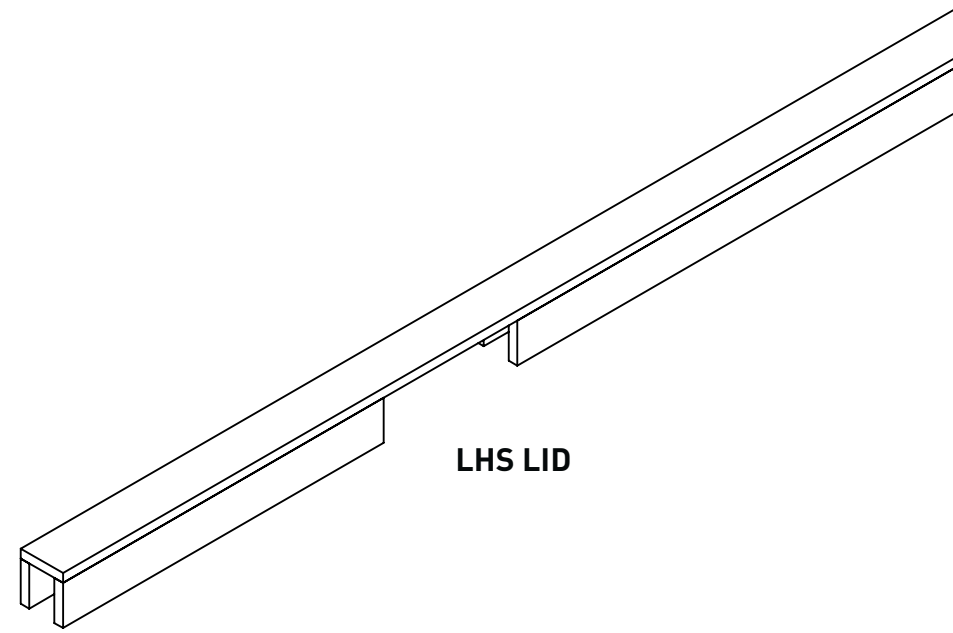
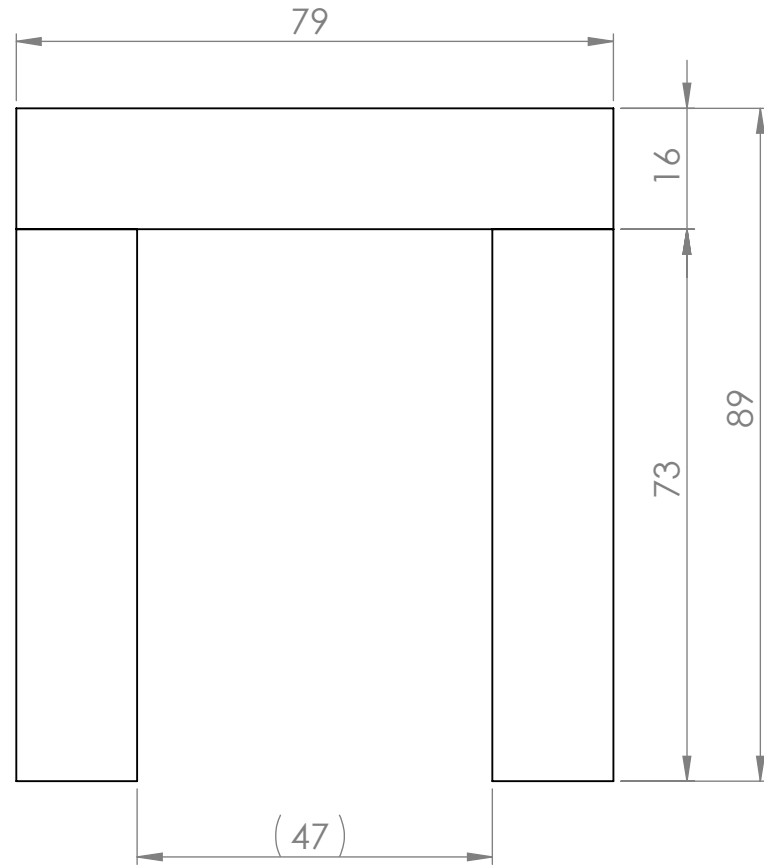
All dimensions are in millimeters. Please report any discrepancies in advance, prior to manufacture.

COS = Check On Site

Details 1.0
Drawing Size:
A3

Cable Management:
16mm American
Walnut Veneer
Detail Views_

Finish:
Spray ~ Loba
Matt Finish



Drawing No:
GBT_033



Project:
Gilbert Street Hotel

All dimensions are in millimeters. Please report any discrepancies in advance, prior to manufacture.

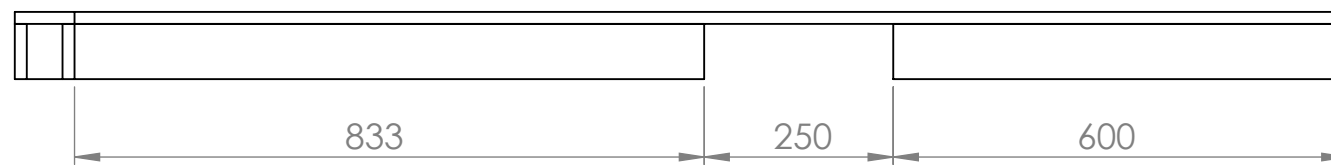
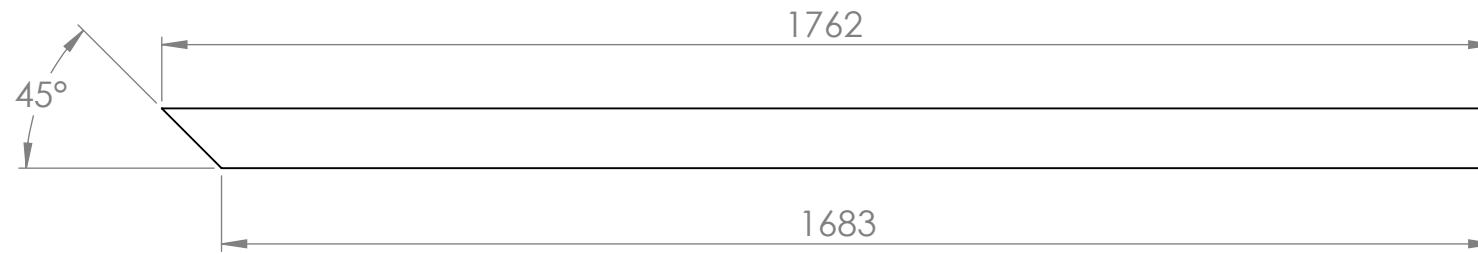
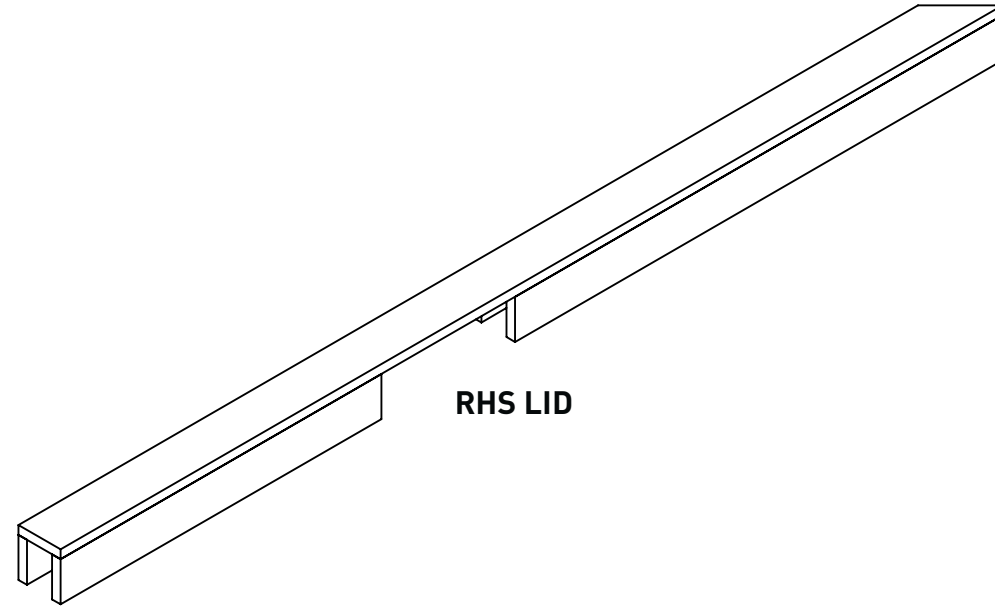
COS = Check On Site

Details 1.0
Drawing Size:
A3

Cable Management:
16mm American
Walnut Veneer
Detail Views_

Finish:
Spray ~ Loba
Matt Finish

Drawing No:
GBT_034





Project:
Gilbert Street Hotel

All dimensions are in millimeters. Please report any discrepancies in advance, prior to manufacture.

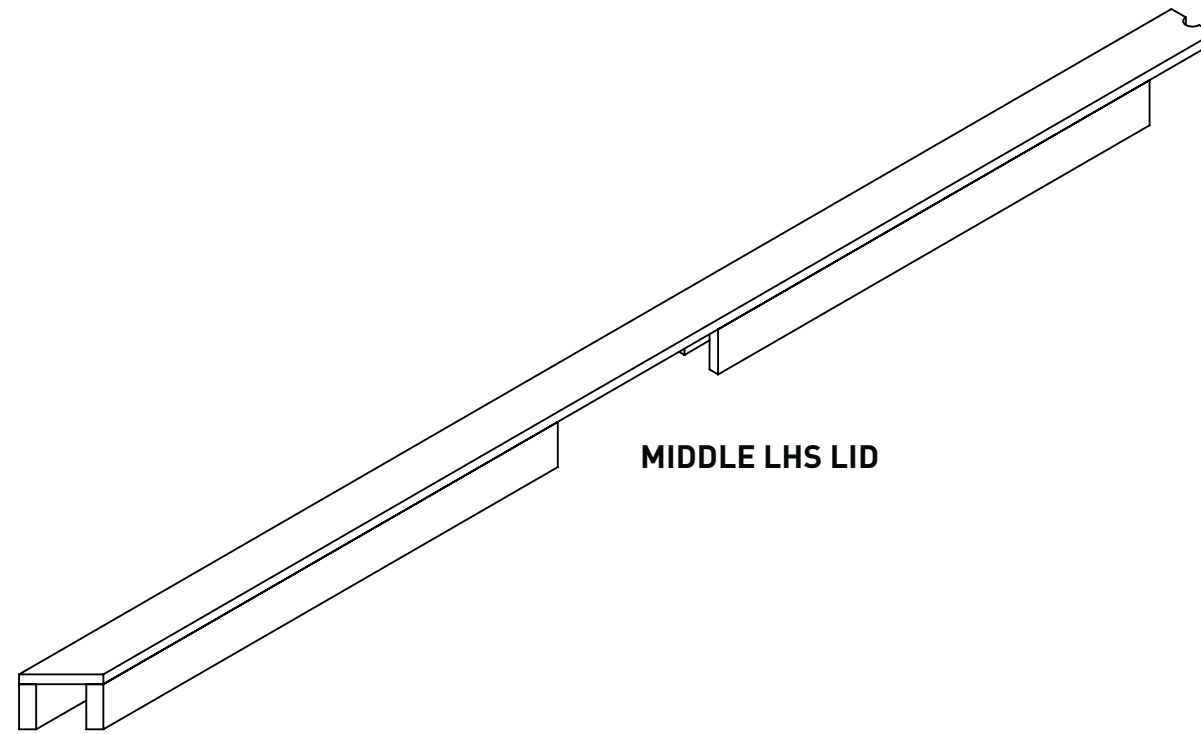
COS = Check On Site

Details 1.0
Drawing Size:
A3

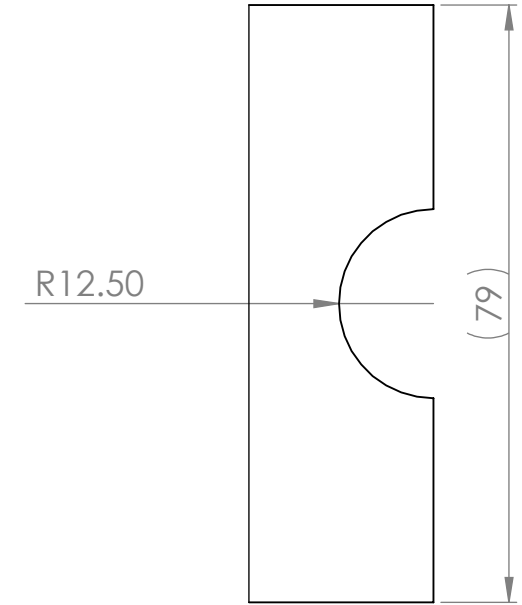
Cable Management:
16mm American
Walnut Veneer
Detail Views

Finish:
Spray ~ Loba
Matt Finish

Drawing No:
GBT_035



MIDDLE LHS LID



DETAIL B
SCALE 1 : 1





Project:
Gilbert Street Hotel

All dimensions are in millimeters. Please report any discrepancies in advance, prior to manufacture.

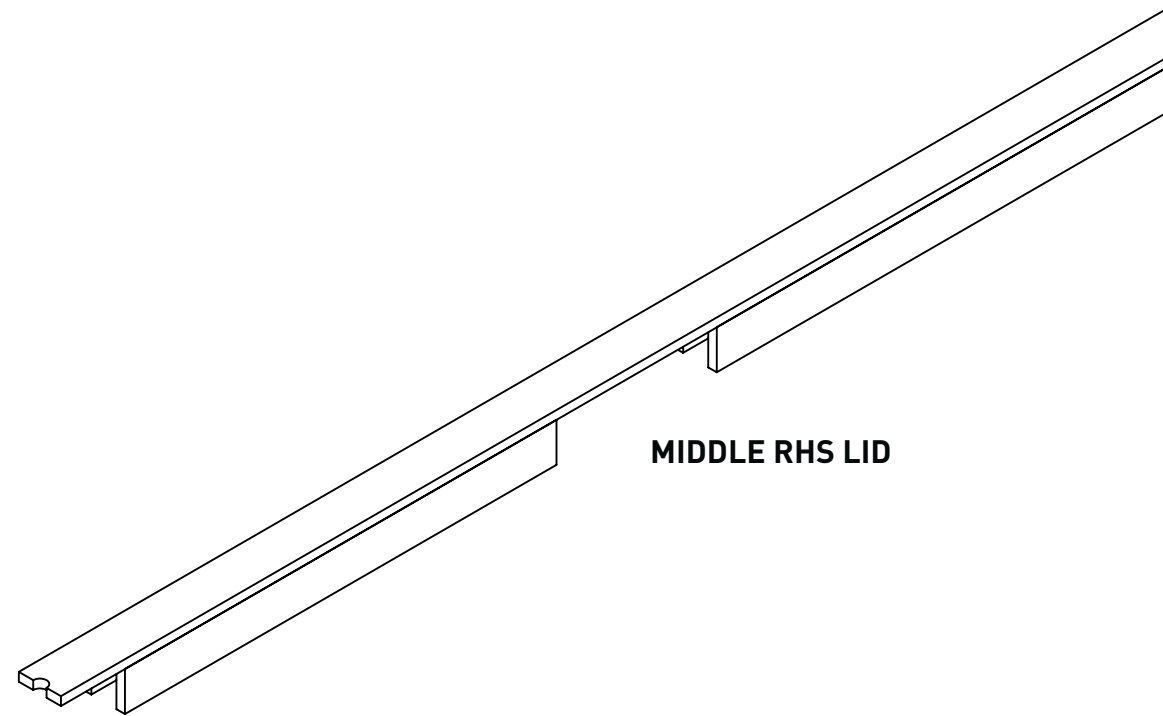
COS = Check On Site

Details 1.0
Drawing Size:
A3

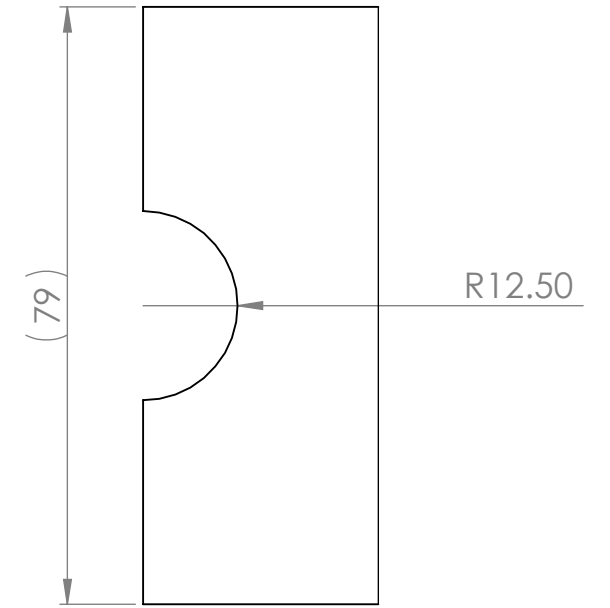
Cable Management:
16mm American
Walnut Veneer
Detail Views

Finish:
Spray ~ Loba
Matt Finish

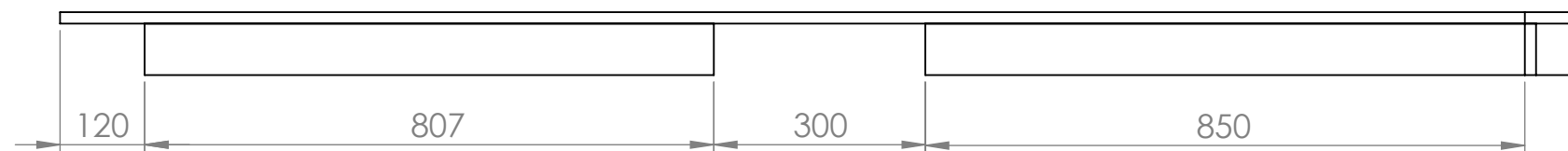
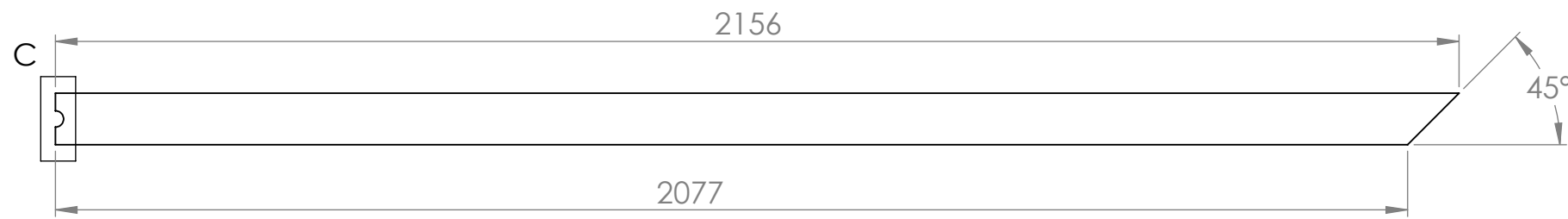
Drawing No:
GBT_036



MIDDLE RHS LID



DETAIL C
SCALE 1 : 1





Project:
Gilbert Street Hotel

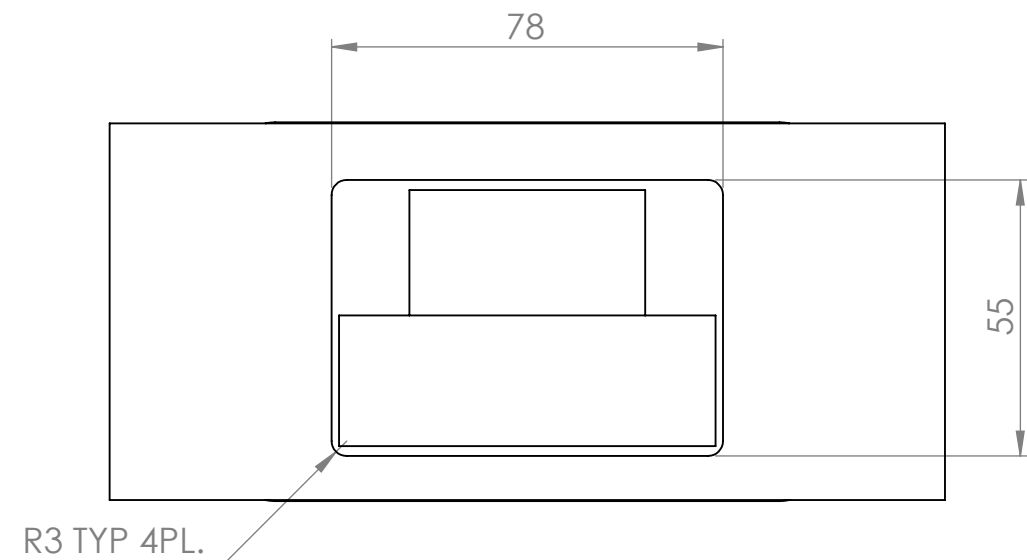
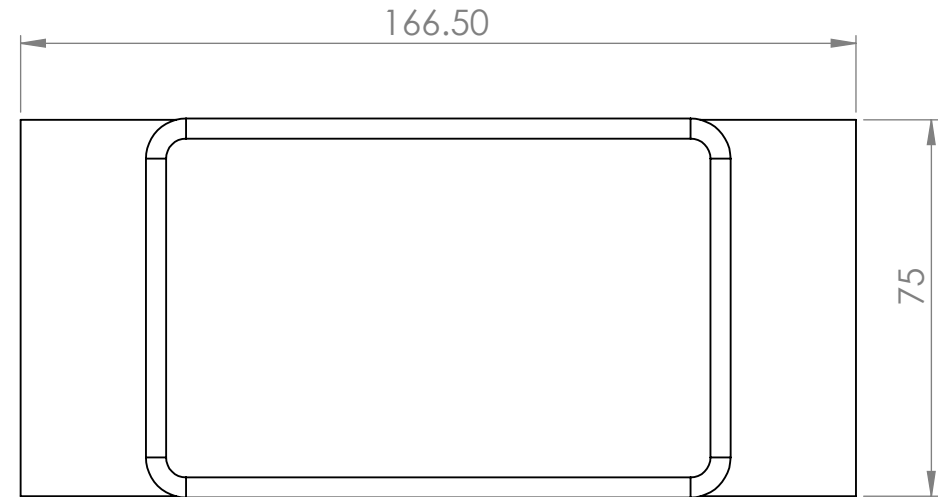
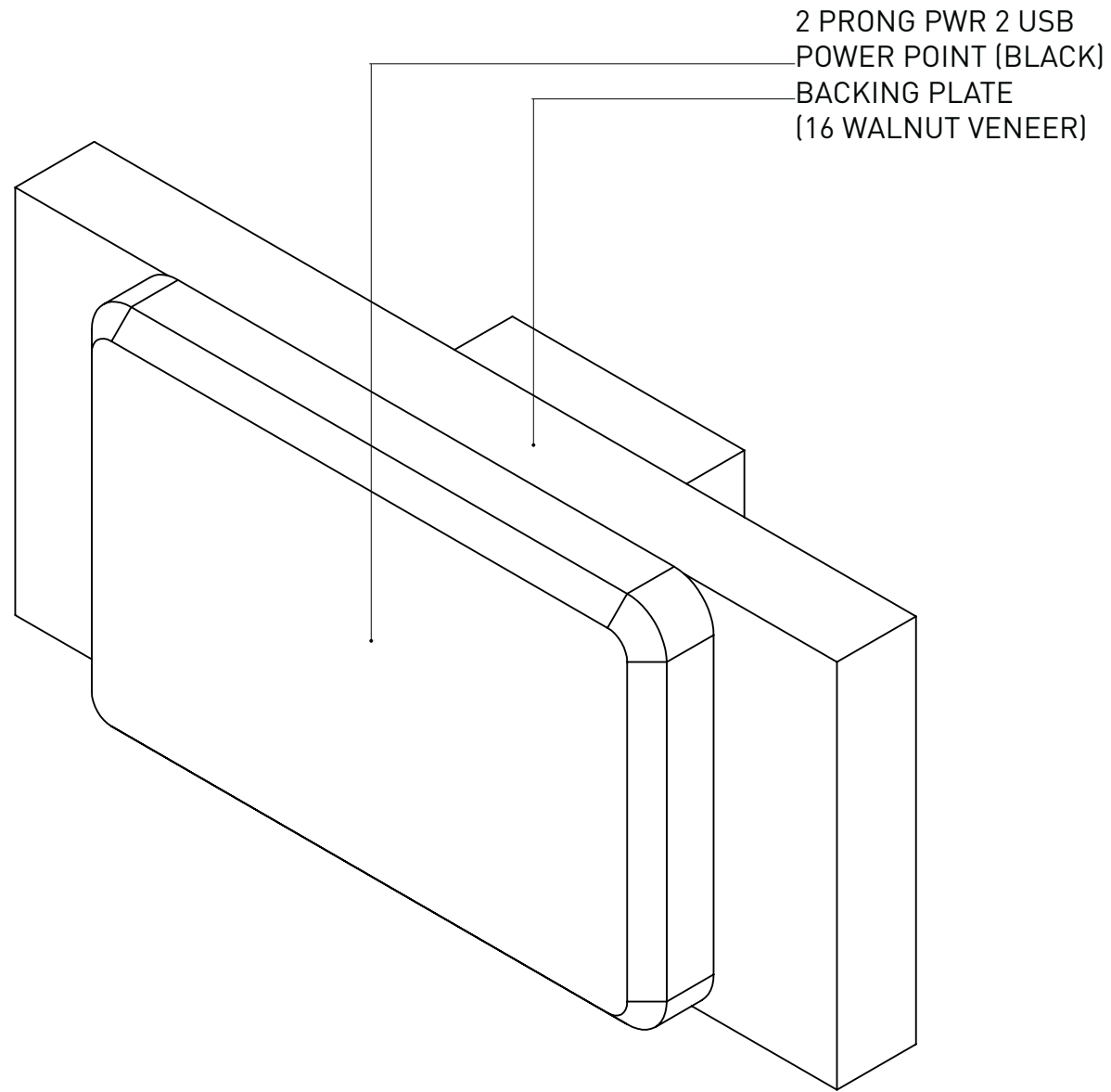
All dimensions are in millimeters. Please report any discrepancies in advance, prior to manufacture.

COS = Check On Site

Details 1.0
Drawing Size:
A3

Cable Management:
16mm American
Walnut Veneer
[Details Views_](#)

Finish:
Spray ~ Loba
Matt Finish



0407 585 578



Project:
Gilbert Street Hotel

Upholstery

ANDREW@ANDREWEDEN.COM.AU

ANDY EDEN

Drawing No:
GBT_038



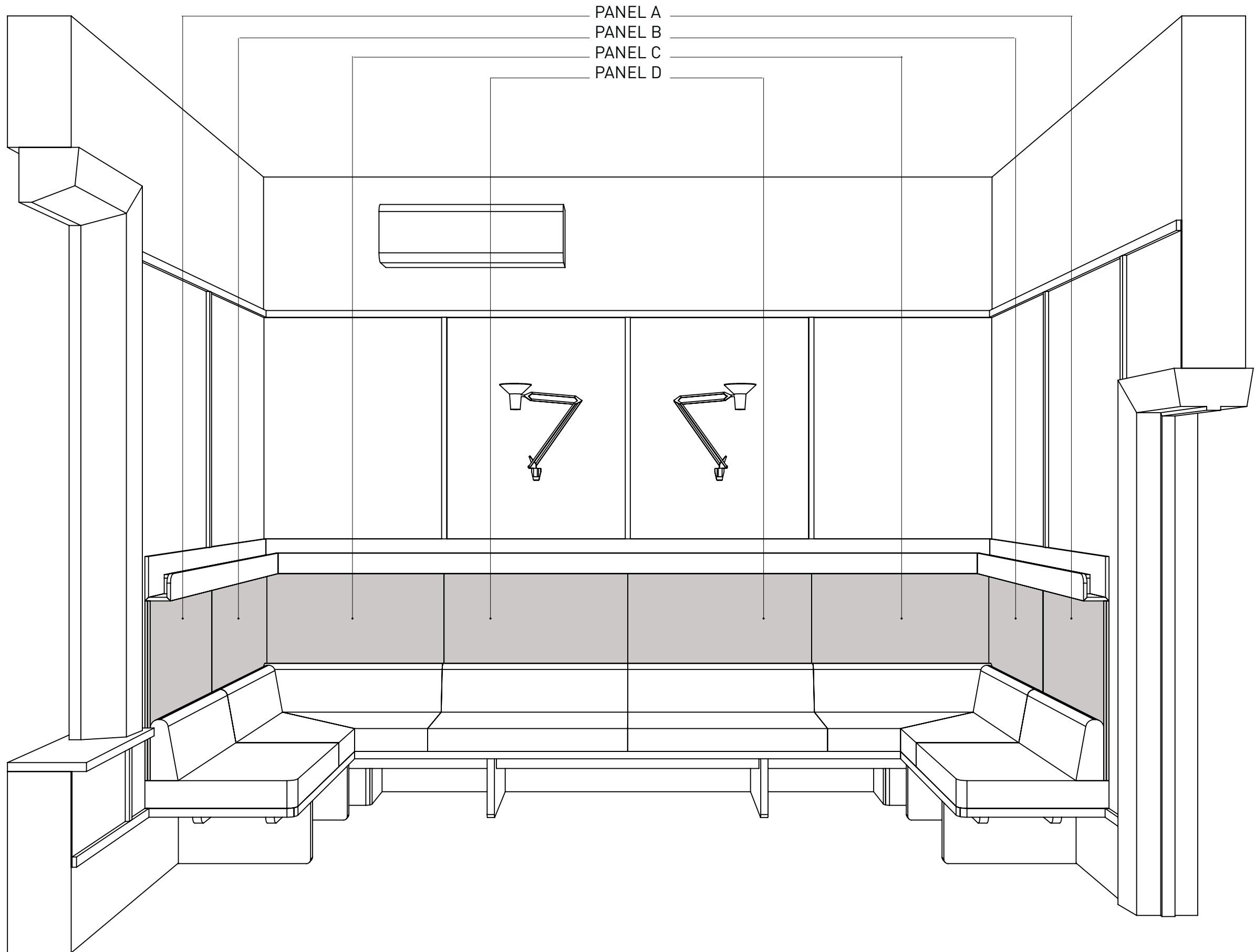
Project:
Gilbert Street Hotel

All dimensions are in millimeters. Please report any discrepancies in advance, prior to manufacture.

Details 1.0
Drawing Size:
A3

Upholstery:
Wall Panels
Elevation D_

Finish:
In-Style Leather





12 MDF
12 FOAM

Project:
Gilbert Street Hotel

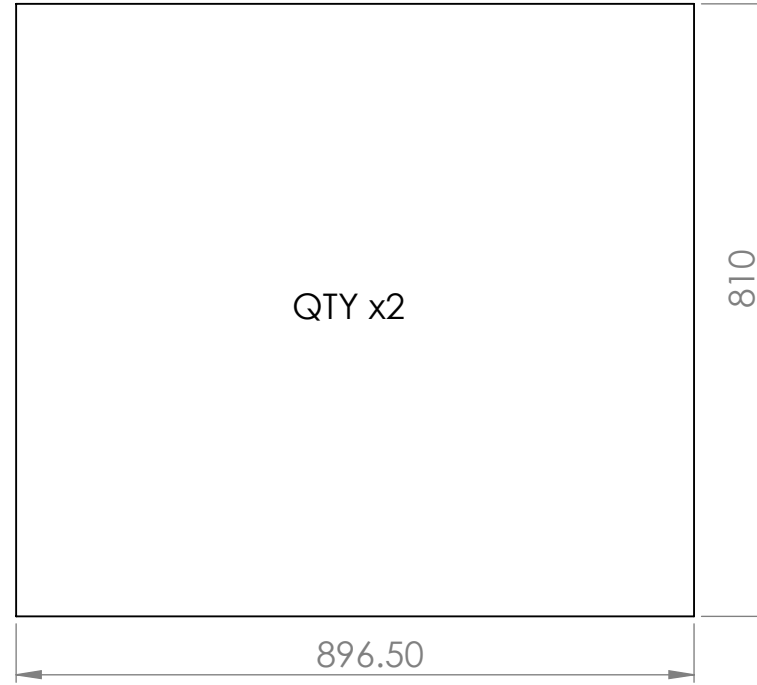
All dimensions are in millimeters. Please report any discrepancies in advance, prior to manufacture.

Please check panel measurements on site prior to manufacture.

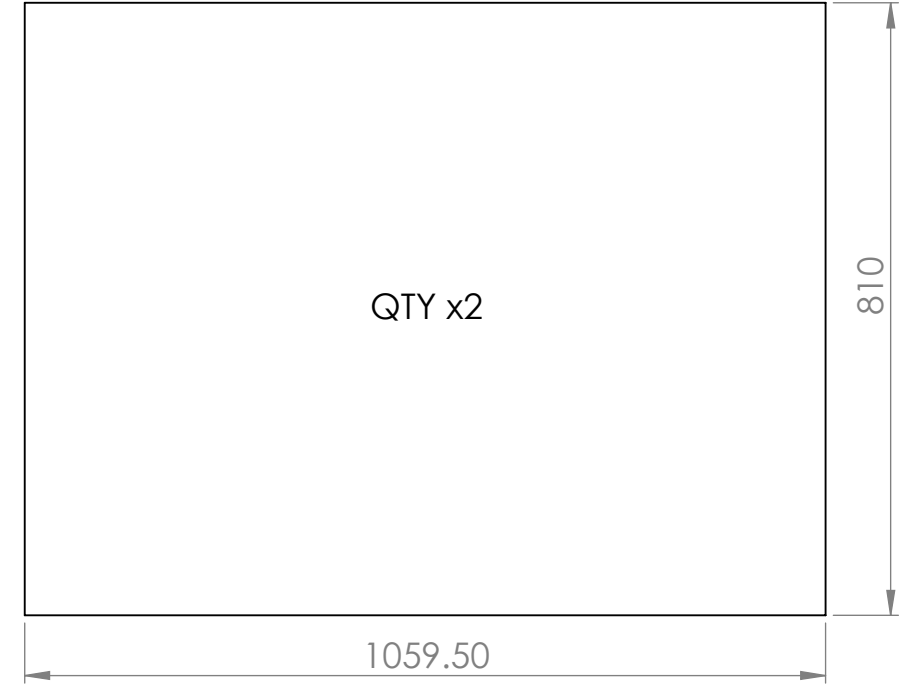
Details 1.0
Drawing Size:
A3

Uphostered Panels:
Top View_

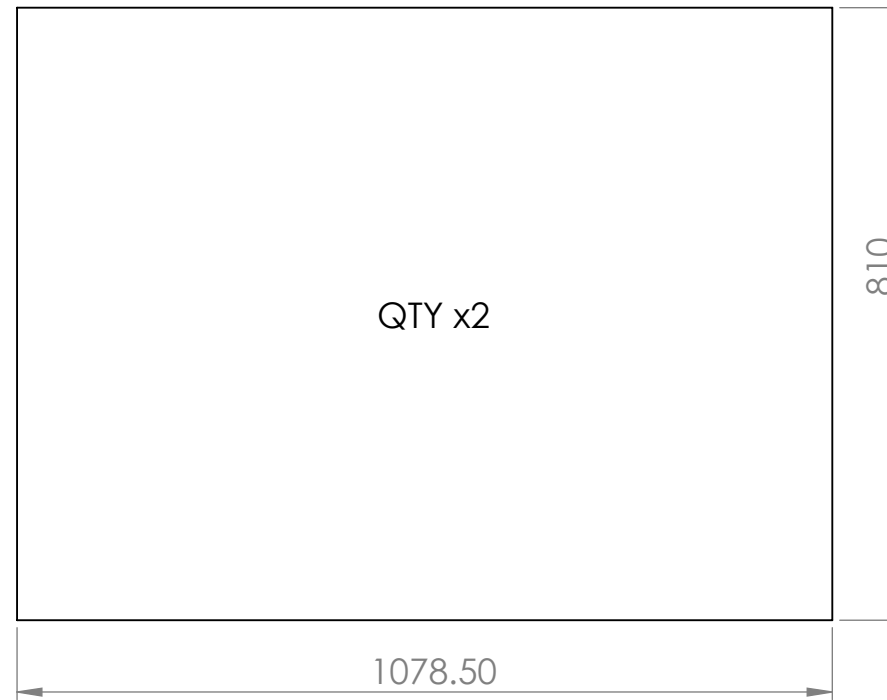
Finish:
In-Style Leather



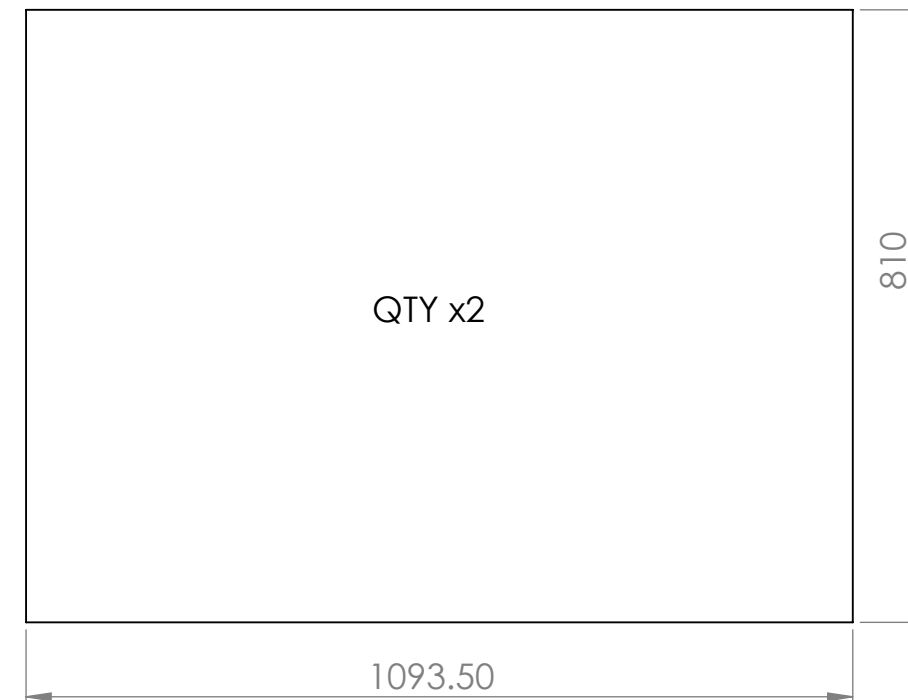
PANEL A_



PANEL B_



PANEL C_



PANEL D_



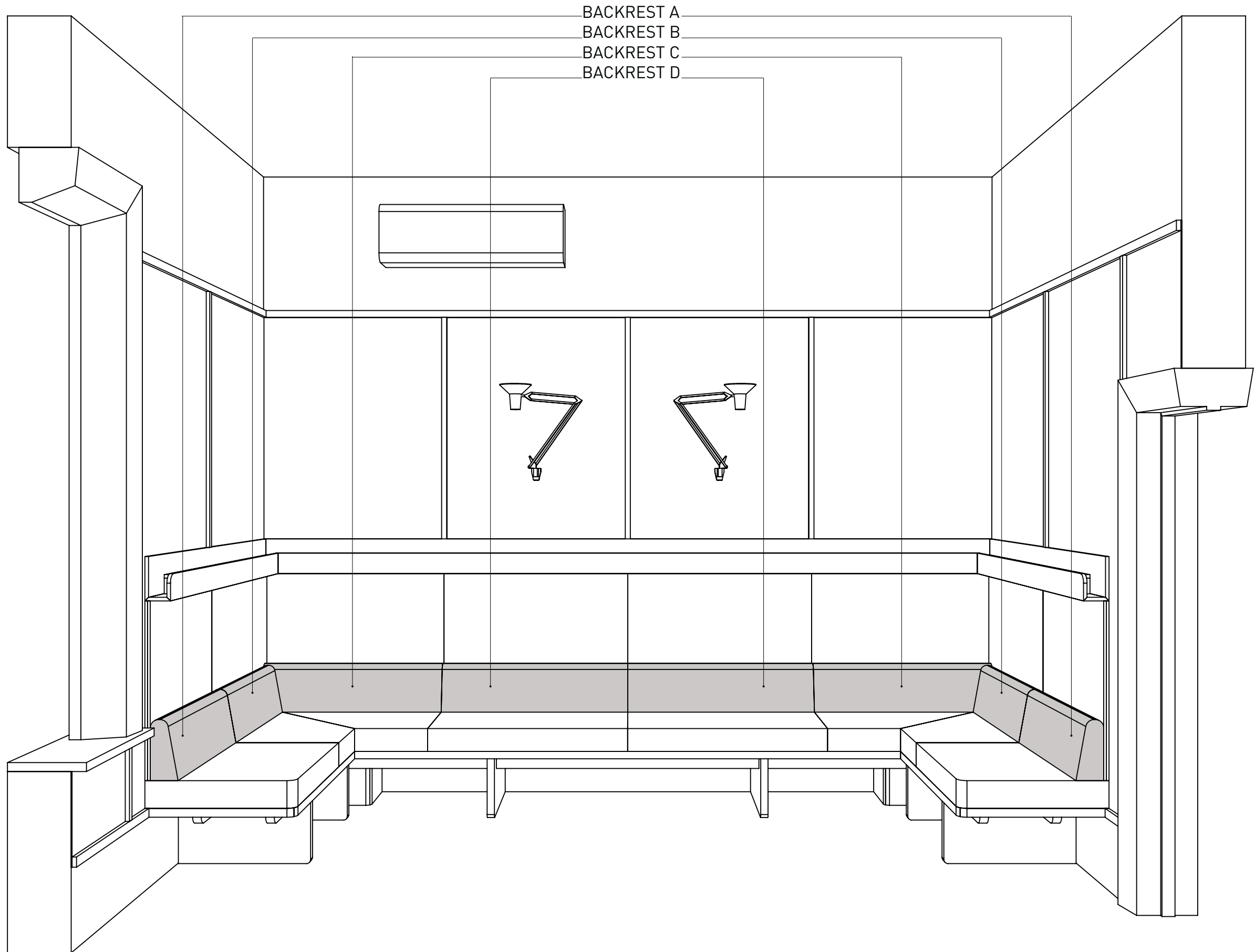
Project:
Gilbert Street Hotel

All dimensions are in millimeters. Please report any discrepancies in advance, prior to manufacture.

Details 1.0
Drawing Size:
A3

Uphostered Backrest:
Elevation D_

Finish:
In-Style Leather





Project:
Gilbert Street Hotel

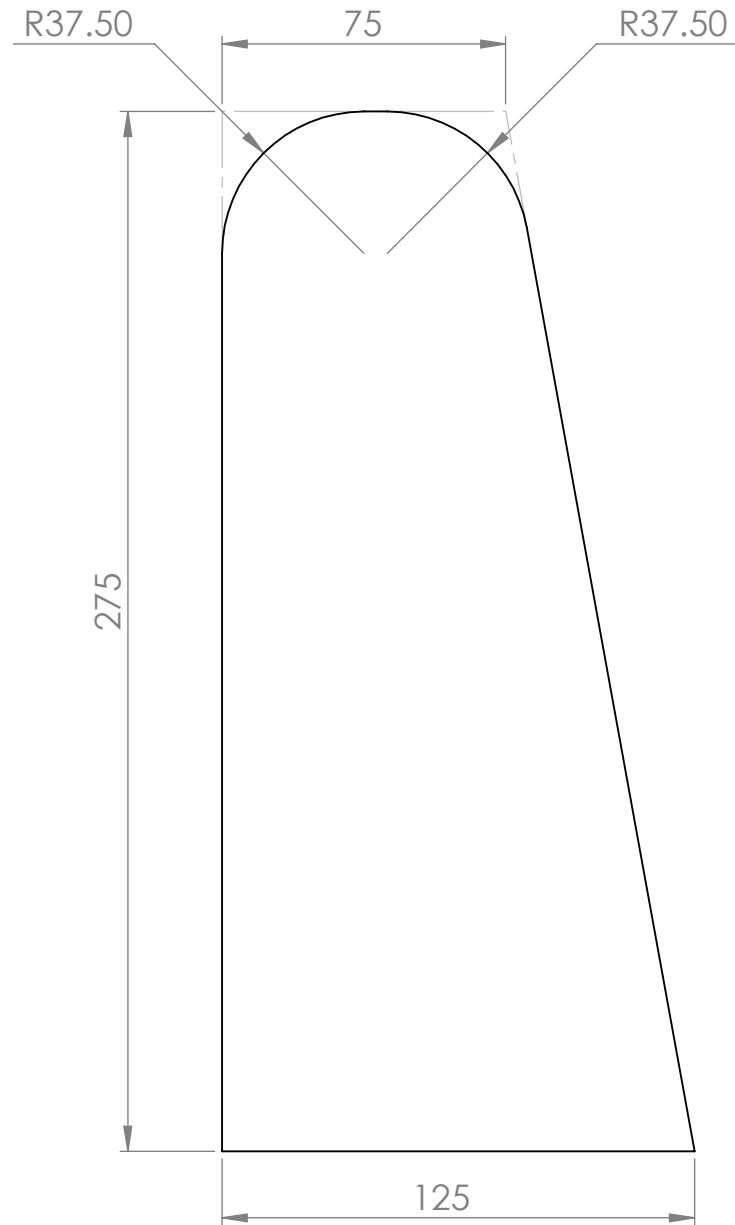
All dimensions are in millimeters. Please report any discrepancies in advance, prior to manufacture.

Please check panel measurements on site prior to manufacture.

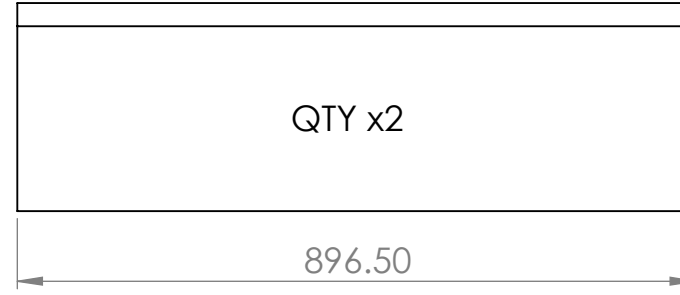
Details 1.0
Drawing Size:
A3

Upholstered Panels:
Top View_

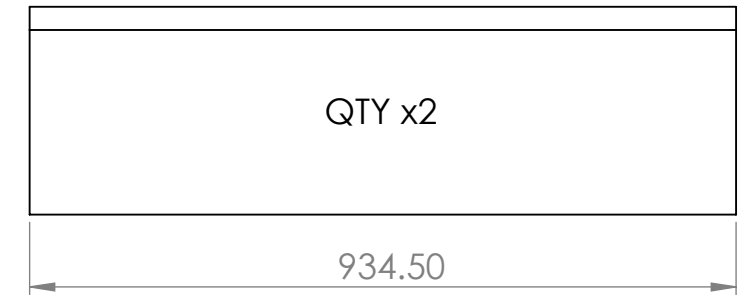
Finish:
In-Style Leather



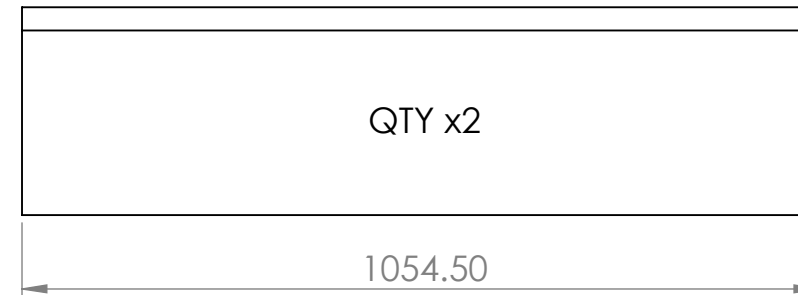
0A. UPHOLSTERED PROFILE



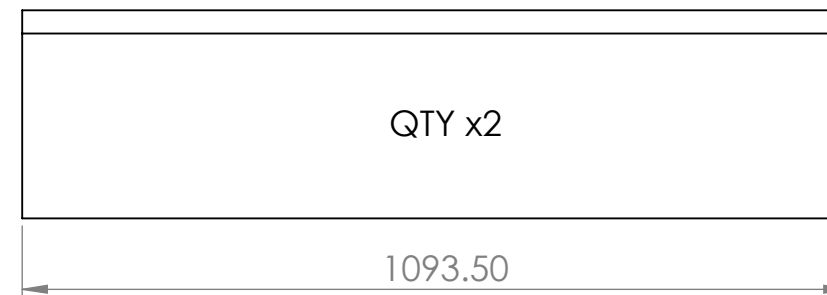
PANEL A_



PANEL B_



PANEL C_



PANEL D_



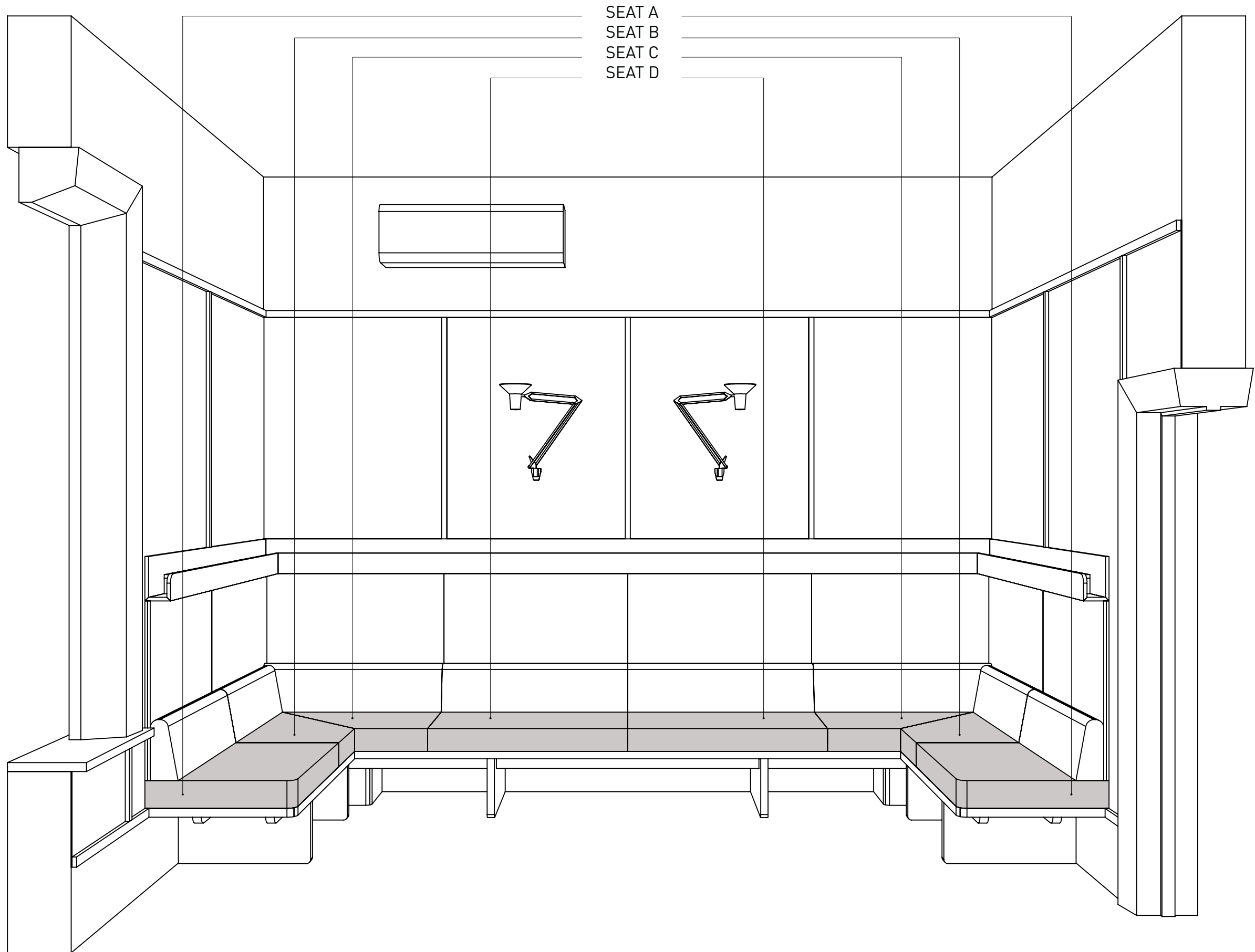
Project:
Gilbert Street Hotel

All dimensions are in millimeters. Please report any discrepancies in advance, prior to manufacture.

Details 1.0
Drawing Size:
A3

Upholstered Seat:
Elevation D_

Finish:
In-Style Leather



SEAT A
SEAT B
SEAT C
SEAT D



Project:
Gilbert Street Hotel

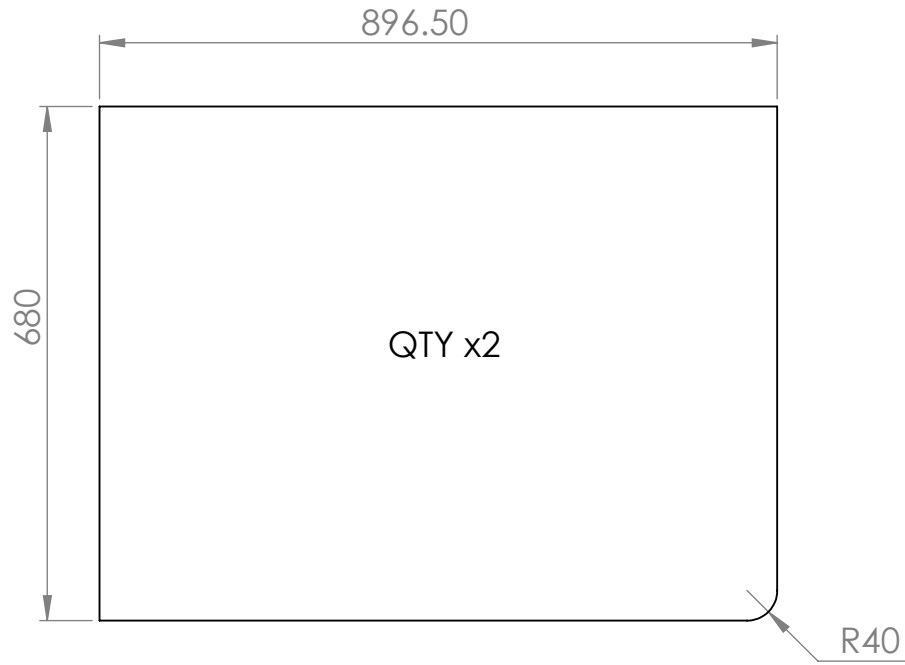
All dimensions are in millimeters. Please report any discrepancies in advance, prior to manufacture.

Please check panel measurements on site prior to manufacture.

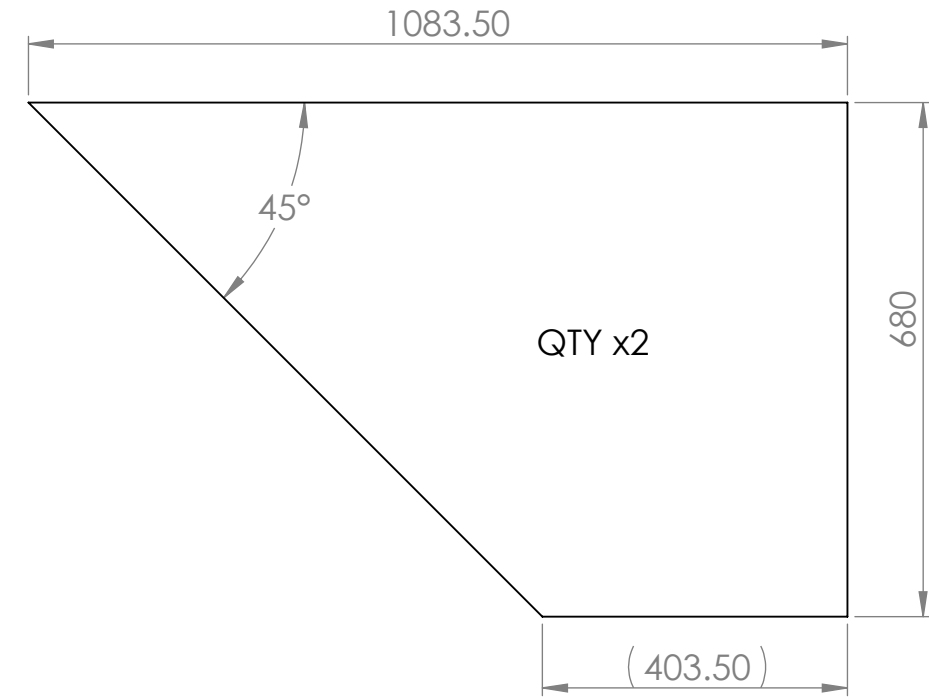
Details 1.0
Drawing Size:
A3

Upholstered Panels:
Top View_

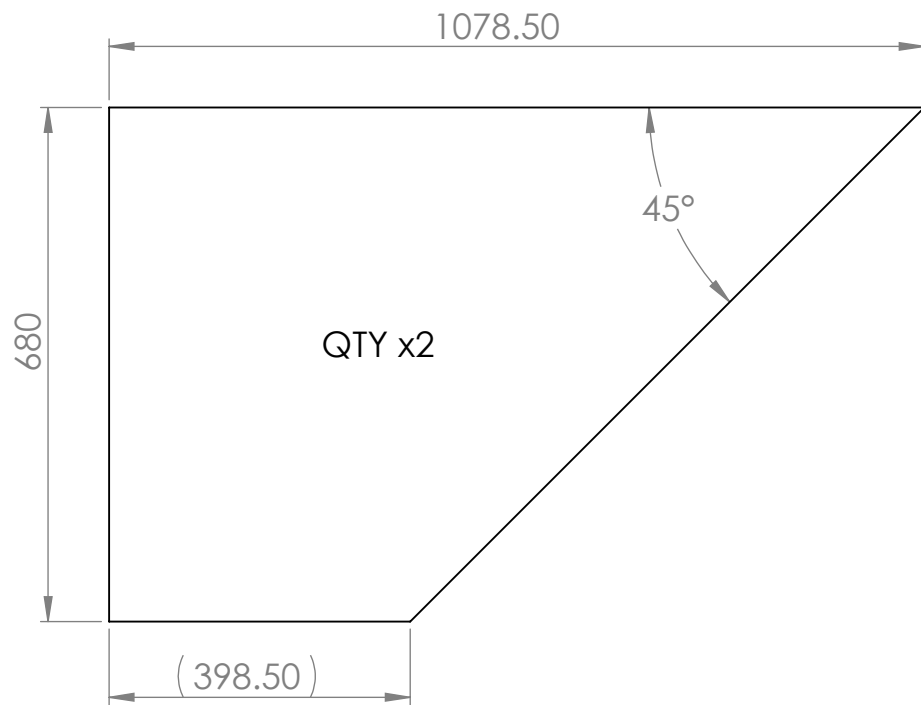
Finish:
Pelle Leather



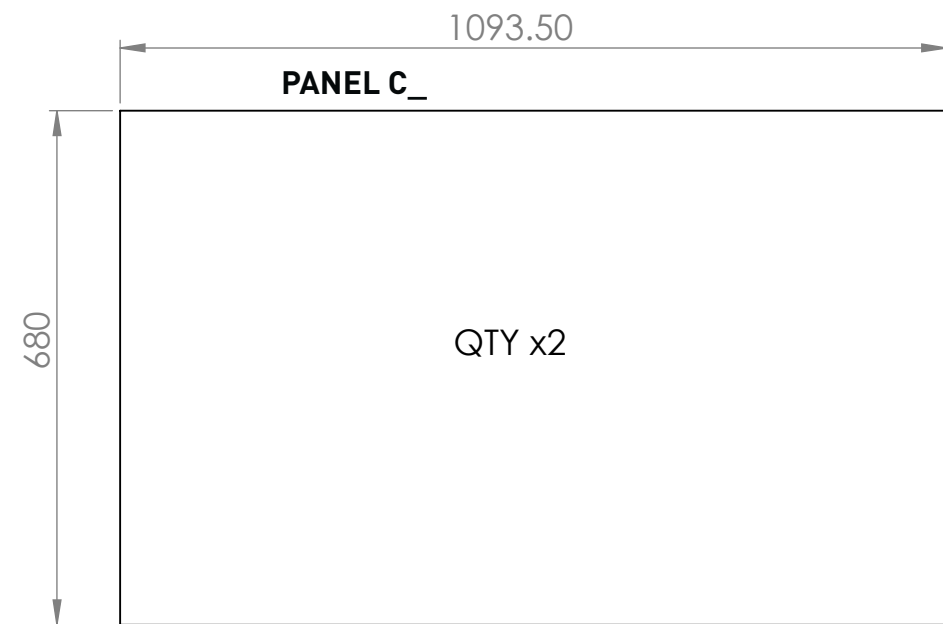
SEAT A_



SEAT B_



SEAT C_



SEAT D_



Project:
Gilbert Street Hotel

Reflected Ceiling Plan & Lighting Plan

Drawing No:
GBT_045



Project:
Gilbert Street Hotel

All dimensions are in millimeters. Please report any discrepancies in advance, prior to manufacture.

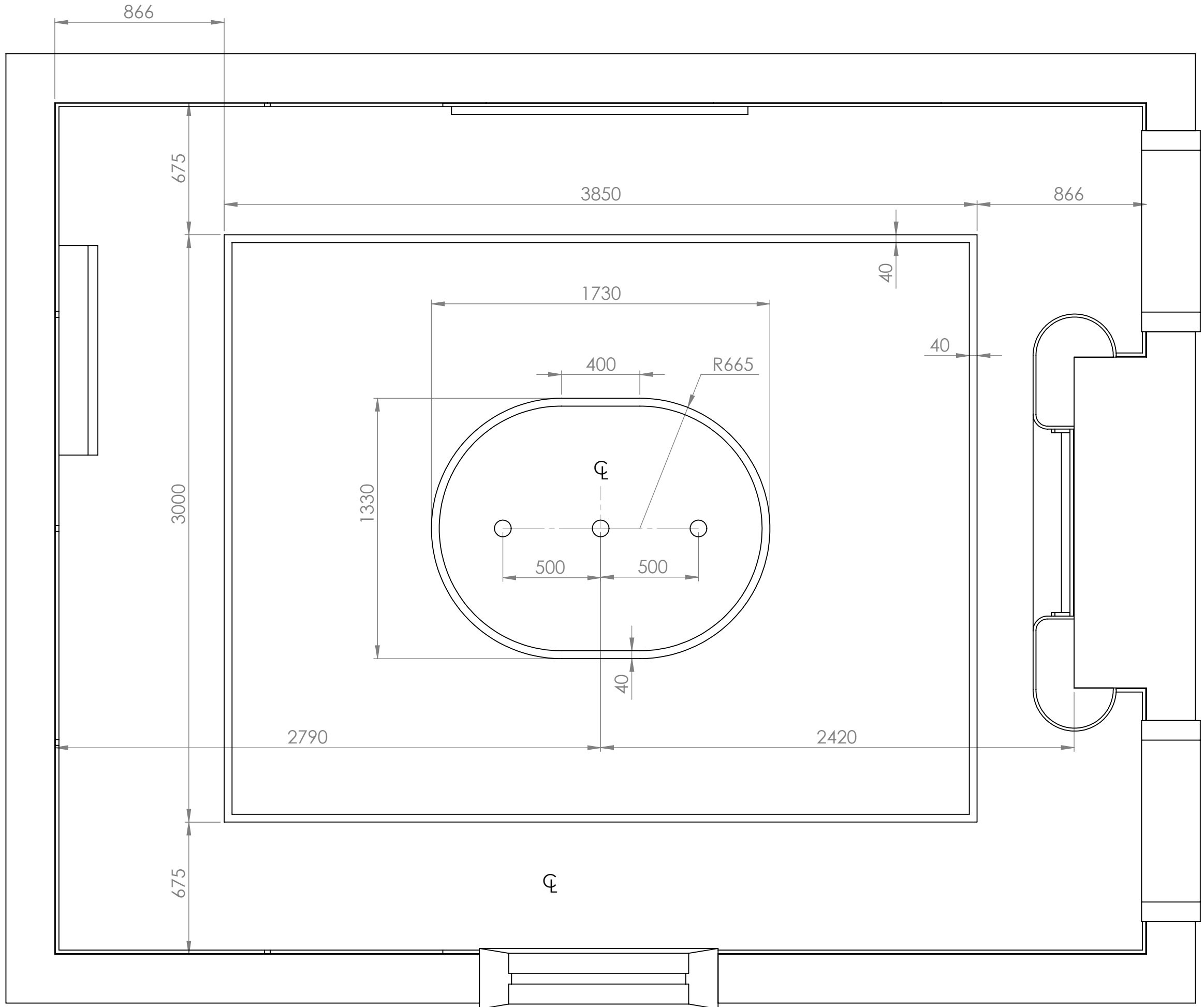
Please check panel measurements on site prior to manufacture.

Details 1.0
Drawing Size:
A3

Ceiling:
25mm Mdf
Reflected Ceiling Plan

Finish:
In-Style Leather

Drawing No:
GBT_046





Project:
Gilbert Street Hotel

All dimensions are in millimeters. Please report any discrepancies in advance, prior to manufacture.

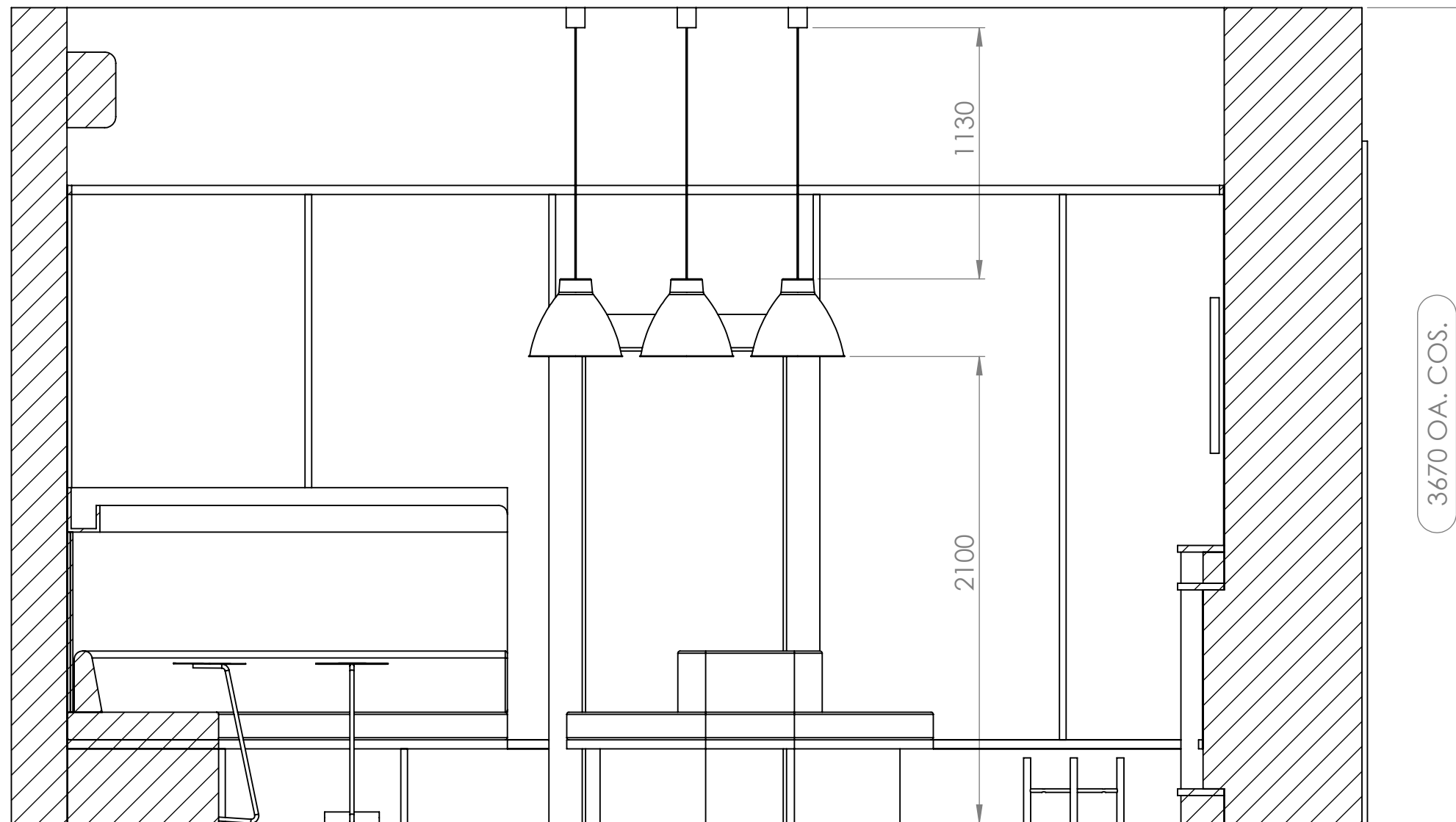
Please check panel measurements on site prior to manufacture.

Details 1.0
Drawing Size:
A3

Pendant Lights:
Position/Heights
Section A

Finish:
In-Style Leather

Drawing No:
GBT_047



SECTION A-A
SCALE 1 : 25



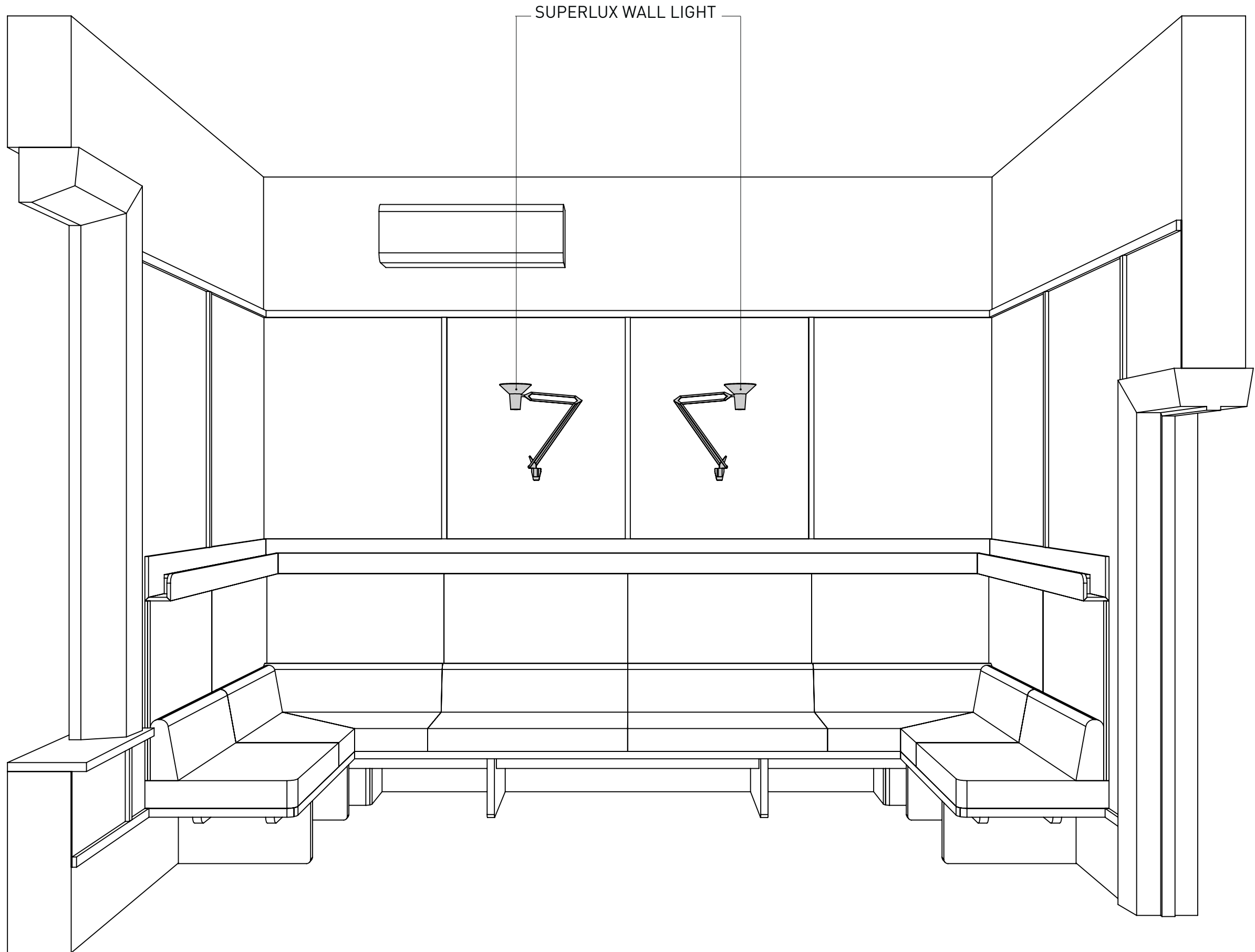
Project:
Gilbert Street Hotel

All dimensions are in millimeters. Please report any discrepancies in advance, prior to manufacture.

Details 1.0
Drawing Size:
A3

Wall Lights:
Elevation D_

Finish:
In-Style Leather



SUPERLUX WALL LIGHT



Project:
Gilbert Street Hotel

All dimensions are in millimeters. Please report any discrepancies in advance, prior to manufacture.

Please check panel measurements on site prior to manufacture.

Details 1.0
Drawing Size:
A3

Wall Lights:
Position
Section D_

Finish:
In-Style Leather

